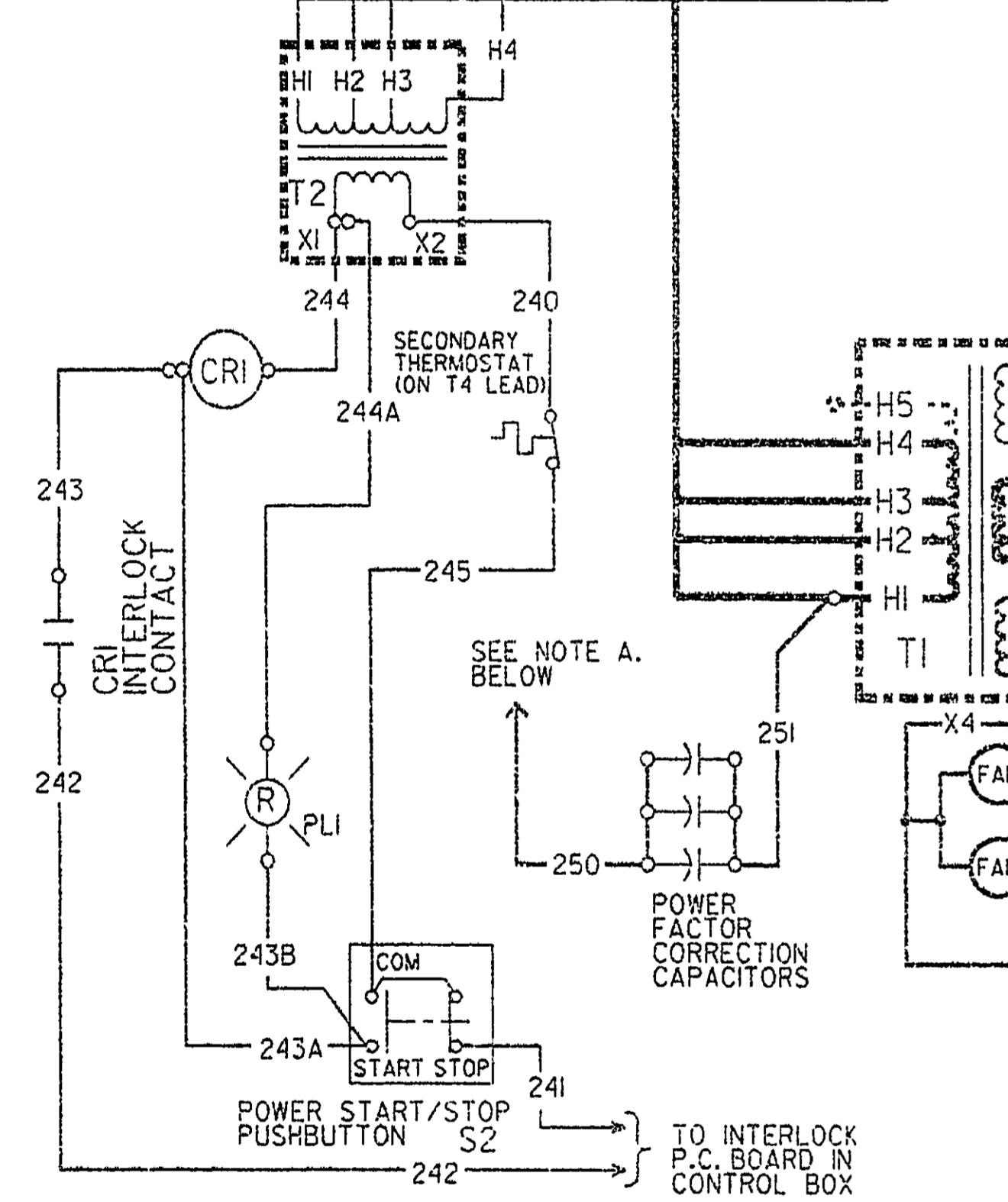
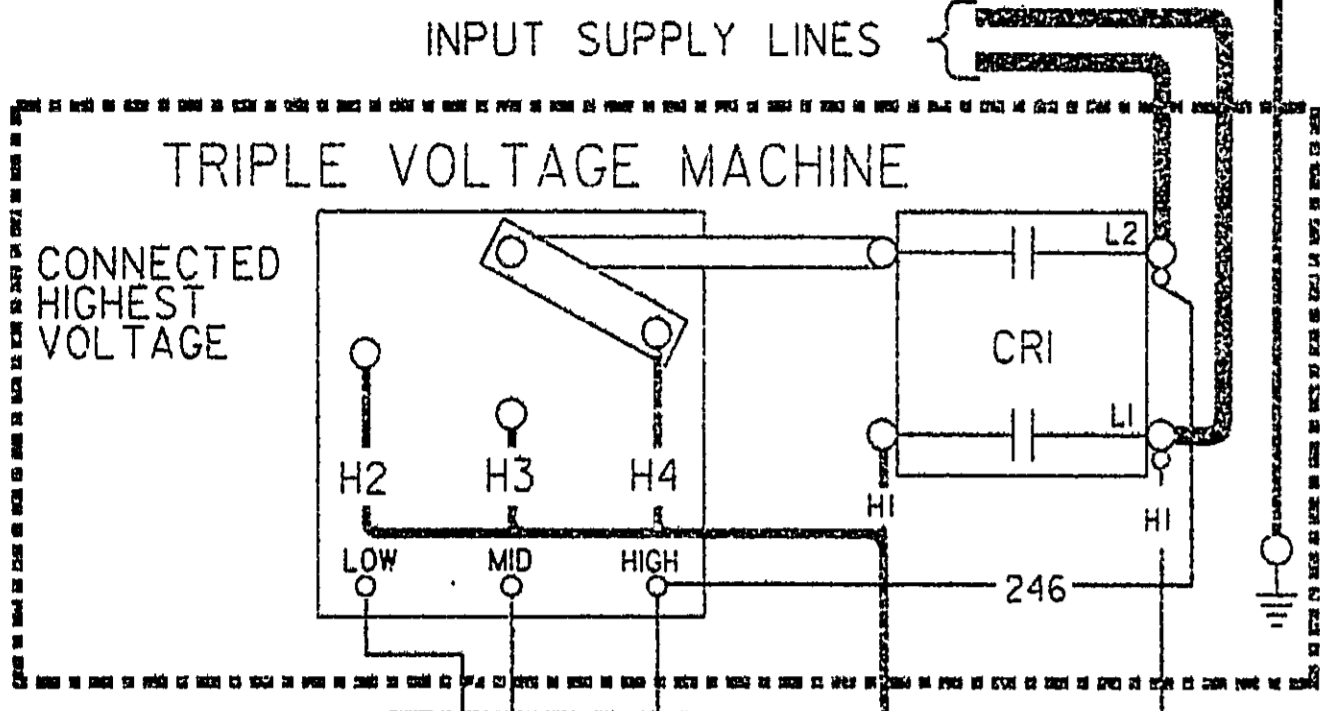


TO GROUND PER NATIONAL ELECTRIC CODE



NOTE A: LEAD #250 FROM POWER FACTOR CAPACITORS CONNECTS AS FOLLOWS, DEPENDING ON THE HIGHEST NAMEPLATE INPUT VOLTAGE:

HIGHEST NAMEPLATE INPUT VOLTAGE:	LEAD #250 CONNECTS TO:
440 THRU 460	'HIGH' TERMINAL ON RECONNECT PANEL, ALONG WITH CORRECT LEAD FROM MAIN TRANSFORMER (T1)
480 AND HIGHER AND 400 AND LOWER	LEAD #250 CONNECTS TO H5 LEAD OF MAIN TRANSFORMER

C1	STABILIZER CAPACITOR	C3	HIGH VOLTAGE CAPACITOR
CBI	CIRCUIT BREAKER 115V, 15 AMP	CRI	CIRCUIT BREAKER 115V, 15 AMP
CR1	FREE WHEELING DIODE	D1	BACKGROUND DIODE
D2	CONTROL CIRCUIT FUSE	F1	GAS, WATER & HIGH FREQ. CIRCUIT FUSE
F2	NEMA 5-15R RECEPTACLE, 15A, 115VAC	J1	TO LEAD 341A (RIO)
J2-P2	TO LEAD 341A (RIO)	J3A-P3	TO LEAD 301A (J1007)
J3A-P3	TO LEAD 301A (J1007)	L4, L5	HIGH FREQUENCY CHOKES
PL1	POWER ON/OFF INDICATOR LIGHT	Q1	BACKGROUND TRANSISTOR
R1	LOADING RESISTOR	R2	STABILIZER RESISTOR
R3	BACKGROUND RESISTOR	R4	HIGH FREQUENCY INTENSITY RHEOSTAT
R5	REMOTE AMPTRON POTENTIOMETER	S1A	MICROSWITCH ON POLARITY SWITCH
SCR1,2,3,4	MAIN SCR'S	T1	MAIN TRANSFORMER
T2	PILOT TRANSFORMER	T3	HIGH VOLTAGE TRANSFORMER
T4	HIGH FREQUENCY TRANSFORMER	T5	CONTROL TRANSFORMER

LEAD COLORING CODE:
 B-BLACK
 R-RED
 Y-YELLOW
 G-GREEN
 U-BLUE
 N-BROWN
 W-WHITE

COMPONENT VALUE UNITS:
 CAPACITORS: MFD/VOLTS
 RESISTORS: OHMS/WATTS

CONNECTOR PIN NUMBERS: EXAMPLE: THIS PIN IN CONNECTOR J102 IS '6J102'

VIEW OF CONNECTOR ON PC BOARD

