

REPLACEMENT PARTS LIST
70 AMP WELDER

110-129, 84080

ITEM	PART NO.	DESCRIPTION
1	238-681-666	ELECTRODE ASSY
2	238-680-666	GROUND CLAMP ASSY
3	248-370-666	POWER CORD
4	312-492-666	CONTROL KNOB
5	246-491-666	MAIN POWER SWITCH
6	312-493-666	HANDLE
7	410-991-026	COVER (RED)
8	410-992-116	BASE, SCREENED (BLACK)
9	880-461-888	TRANSFORMER
10	246-492-666	THERMAL PROTECTOR

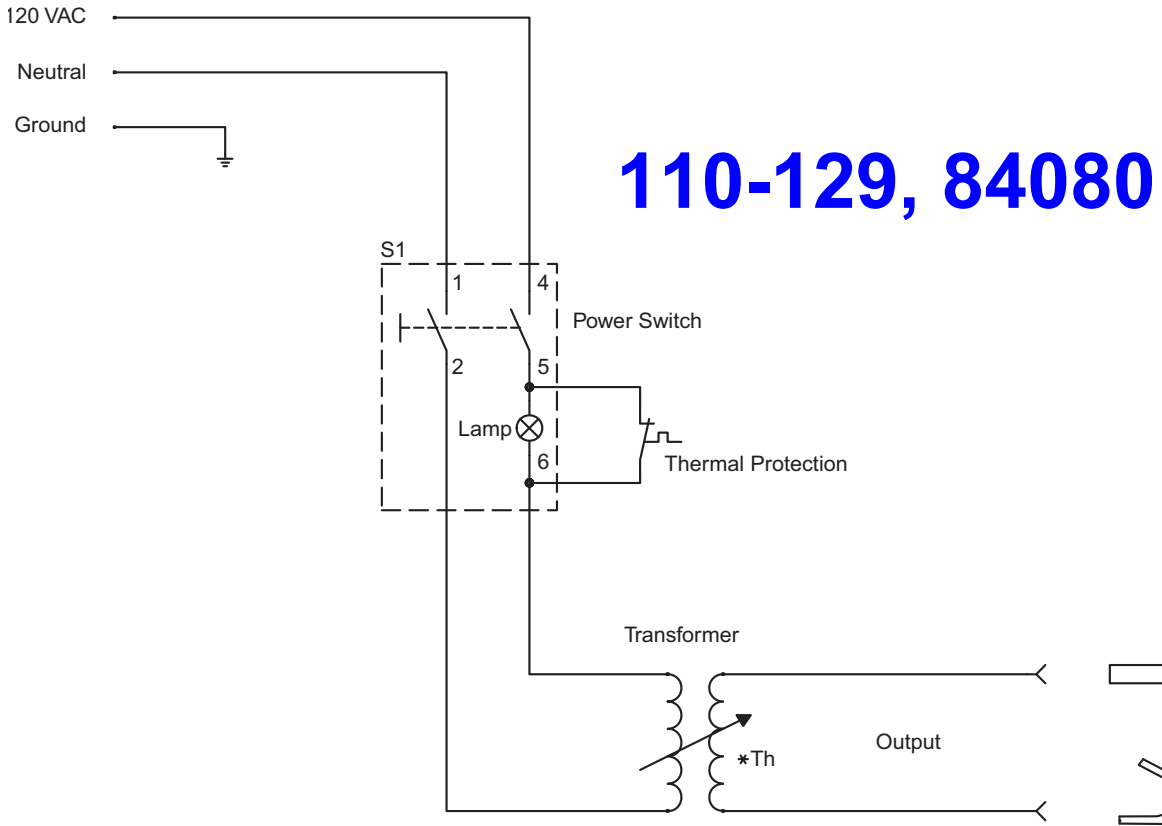


Figure 3. 70 A ac Welder