

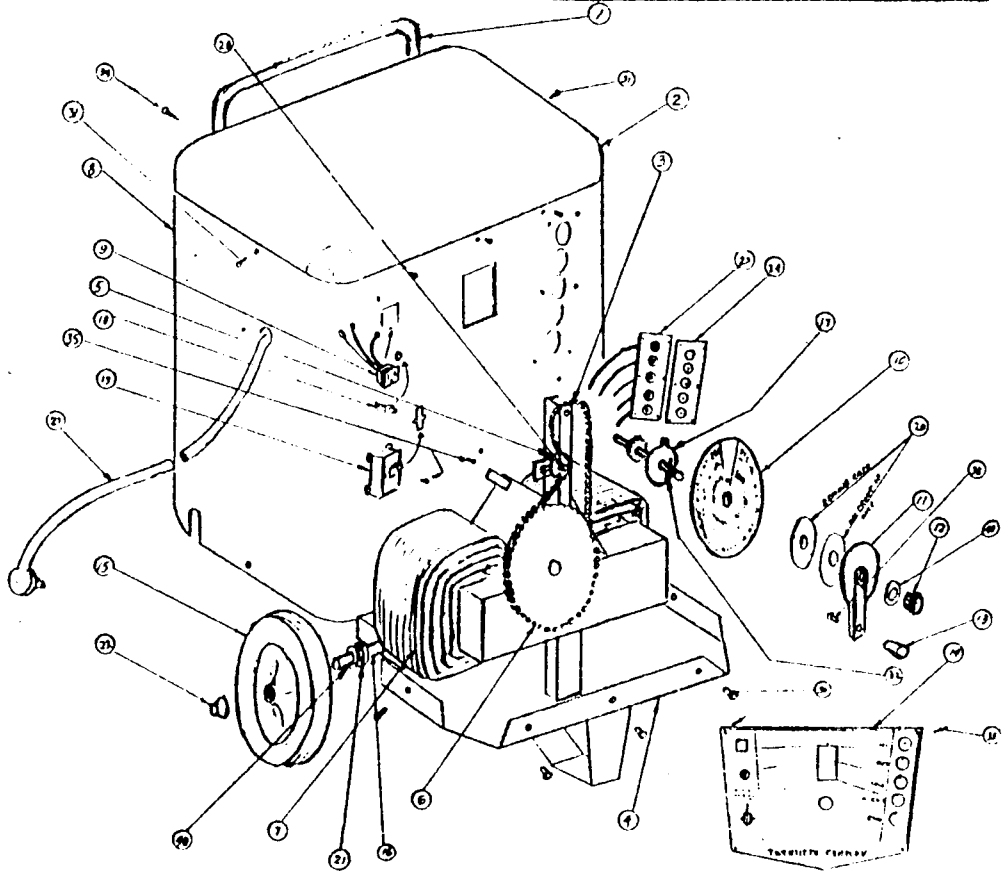
PARTS LIST - STOCK NO. 110-60 WELDER

<u>PICT. NO.</u>	<u>DESCRIPTION</u>	<u>PART NO.</u>
1	Handle	412-38
2	Case	410-56
3	Chain	310-46
5	Idler Sprocket	310-44
7	Transformer Assembly includes picture No's. 4,6,23	210-53
8	Cover	410-57
9	110 Volt outlet Ass'y	219-20
10	Amperage Dial	312-13
11	Dial Handle	312-17
12	Knob, Locking	312-15
13	Knob, Tapered	312-6
14	Front Dial Plate	711-44
15	Wheels	413-6
16	Axle	413-9
17	Dial Drive Assembly	310-53
18	Circuit Breaker Fuse	216-3
19	Line Switch	216-1
20	Fibre Washer	512-6
21	Axle Spacer	330-7
24	Front Jack Panel	510-32
25	Fan Motors	246-15
26	Fan Blades	316-6
27	Power Supply Cord	218-1
28	Chain Tension Bolt	81-14

NEVER REMOVE COVER WITHOUT FIRST DISCONNECTING THE WELDER FROM POWER SOURCE

REMOVE COVER AND OIL FAN MOTORS TWICE YEARLY

OIL THE CHAIN, SPROCKETS & BUSHINGS EVERY 6 MONTHS



110-060

TWENTIETH CENTURY MFG CO
9231 PENN AVE. So.
MINNEAPOLIS, MINN. 55431

FULCRUM SHUNT BEARINGS: Use 1/2" WRENCH WITH FINGER PRESSURE. IF TOO LOOSE, SHUNT MAY VIBRATE. IF TOO TIGHT DIAL MAY TURN HARD.