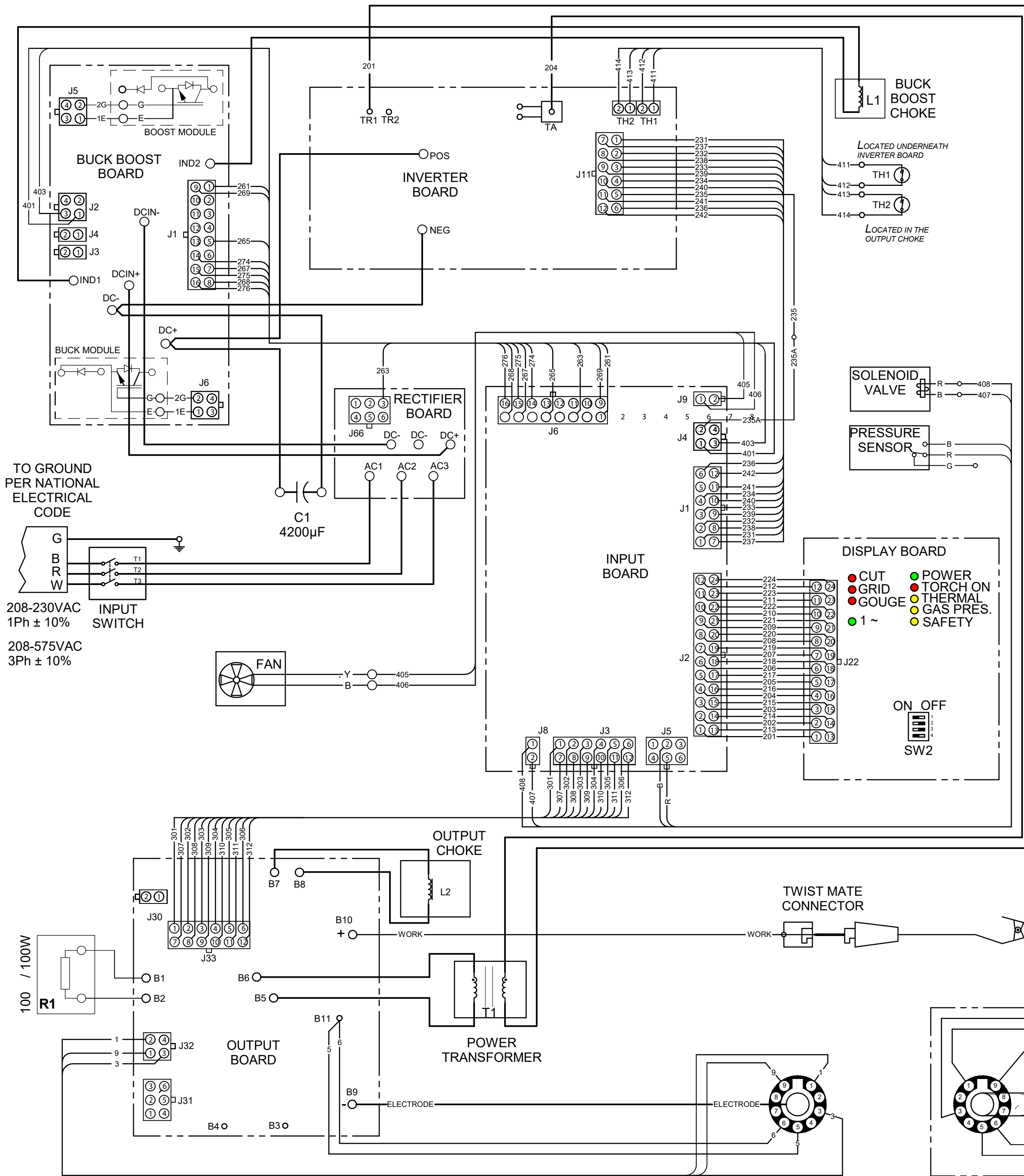


TOMAHAWK 1500 WIRING DIAGRAM G8031-1 REV: B



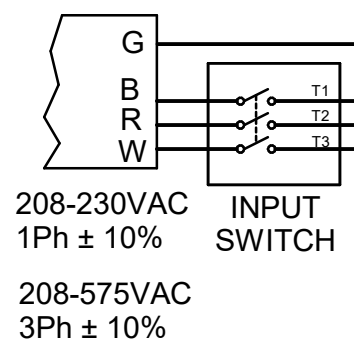
WARNING



**HIGH VOLTAGE
can kill**

- Do not operate with covers removed.
- Disconnect input power by unplugging power cord before servicing.
- Do not touch electrically live parts
- Only qualified persons should install, use or service this machine.

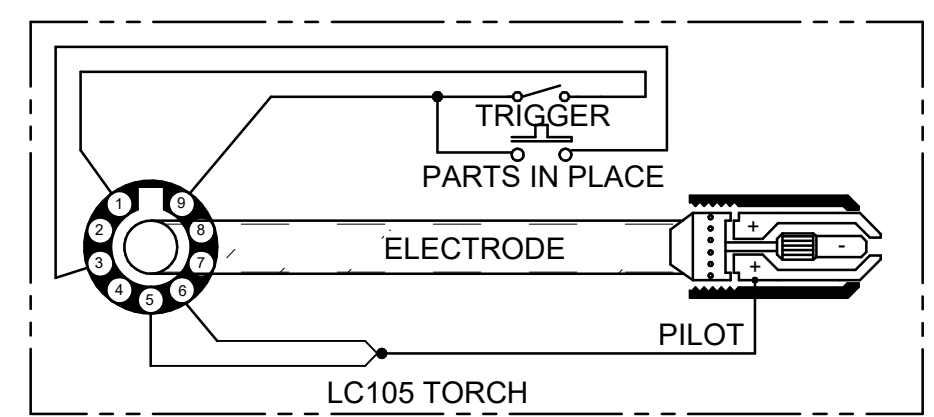
TO GROUND
PER NATIONAL
ELECTRICAL
CODE



- DISPLAY BOARD**
- CUT
 - GRID
 - GOUGE
 - 1 ~
 - POWER
 - TORCH ON
 - THERMAL
 - GAS PRES.
 - SAFETY

COLOR CODE:

- B = BLACK
- G = GREEN
- R = RED
- W = WHITE
- U = BLUE
- N = BROWN
- Y = YELLOW



CLEVELAND, OHIO U.S.A.