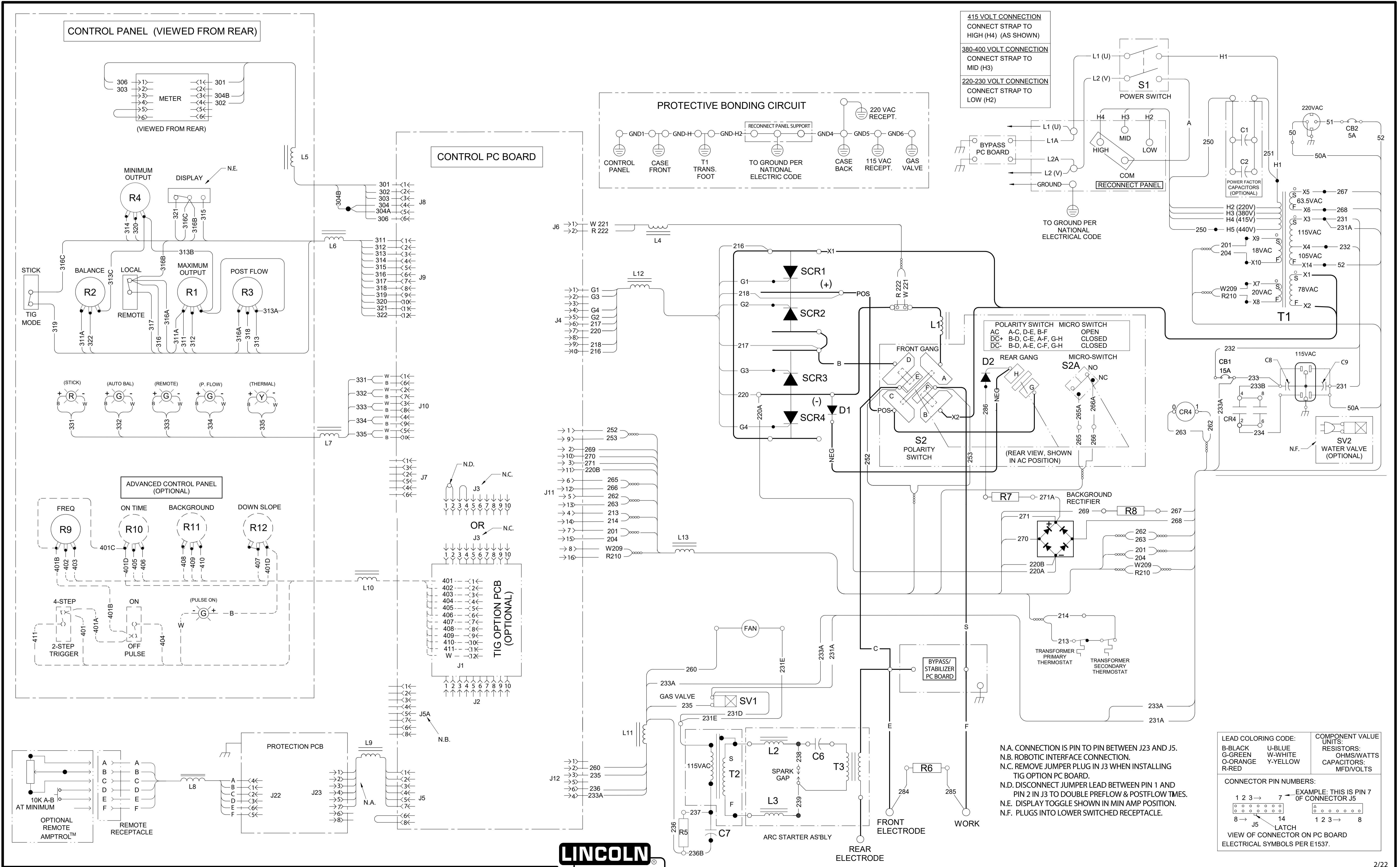


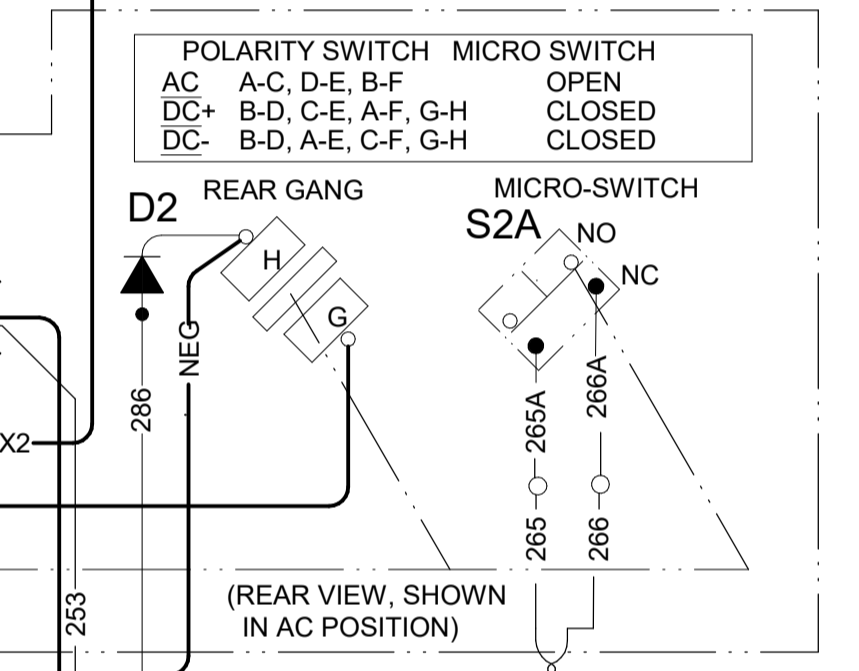
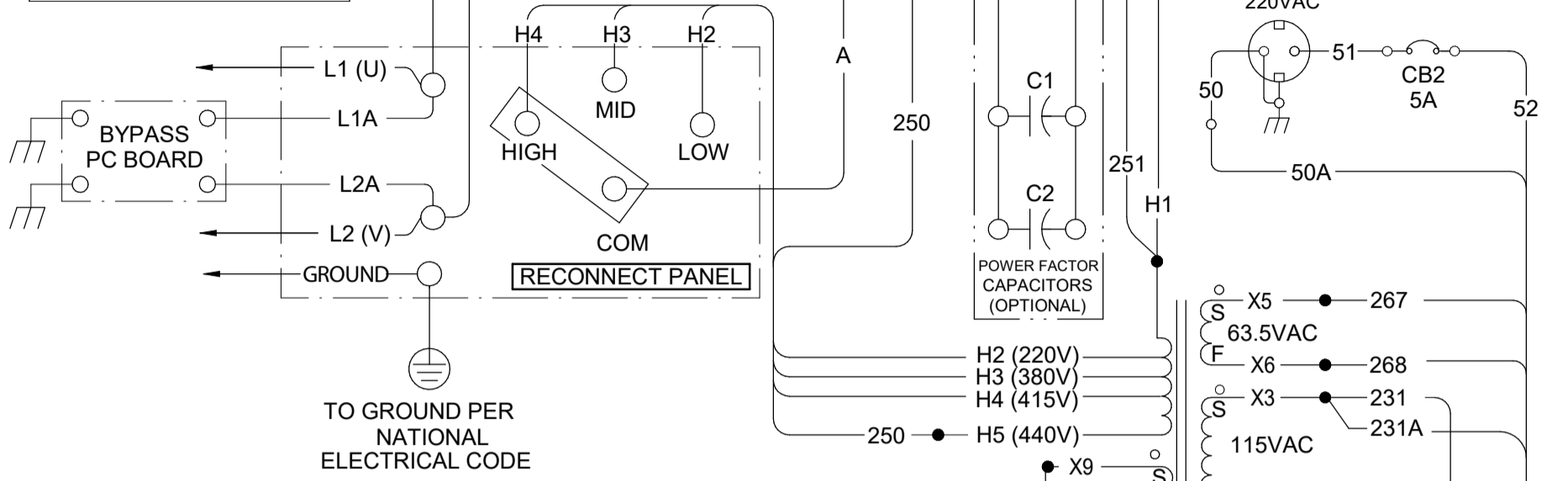
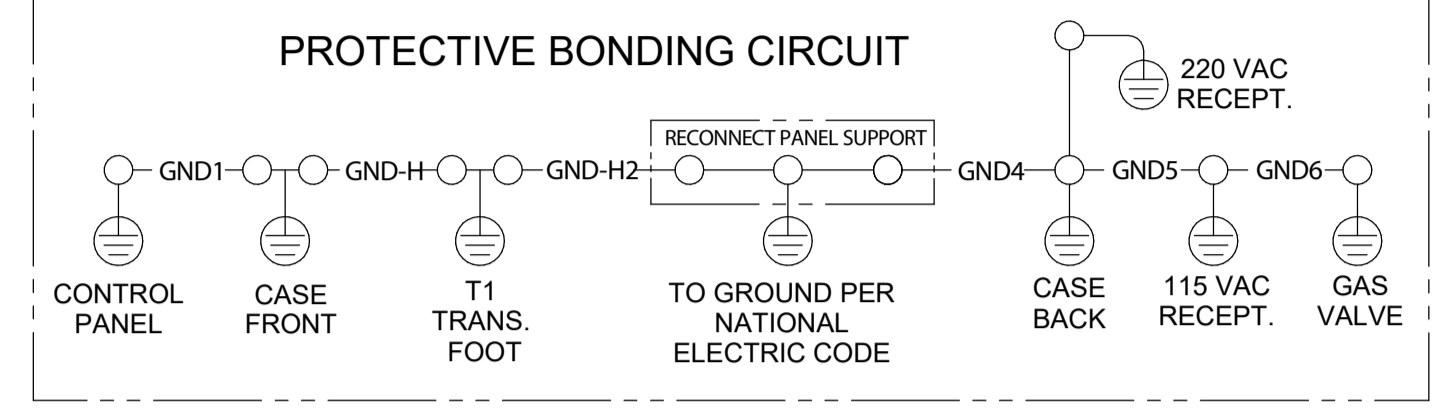
PRECISION TIG 275 (220-230/380-400/460) WIRING DIAGRAM G4031-2 REV: B



415 VOLT CONNECTION  
CONNECT STRAP TO HIGH (H4) (AS SHOWN)

380-400 VOLT CONNECTION  
CONNECT STRAP TO MID (H3)

220-230 VOLT CONNECTION  
CONNECT STRAP TO LOW (H2)



LEAD COLORING CODE:		COMPONENT VALUE UNITS:
B-BLACK	U-BLUE	RESISTORS: OHMS/WATTS
G-GREEN	W-WHITE	CAPACITORS: MFD/VOLTS
O-ORANGE	Y-YELLOW	
R-RED		

CONNECTOR PIN NUMBERS:	
1 2 3 →	7 ←
8 →	14 ←

EXAMPLE: THIS IS PIN 7 OF CONNECTOR J5

J5 LATCH

VIEW OF CONNECTOR ON PC BOARD

ELECTRICAL SYMBOLS PER E1537.

