

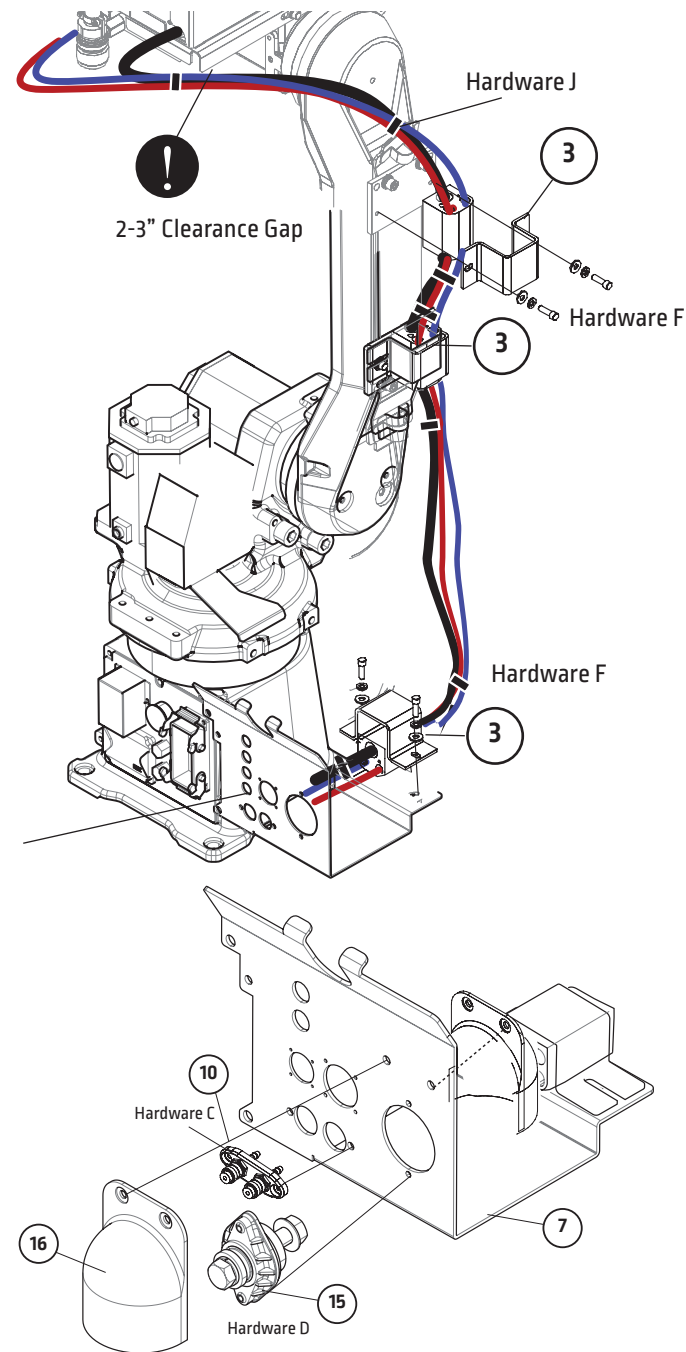
## Step 6

Hardware H – Mount the two closest rubber cable holders to the feeder on the robot arm with item 3; and the 3rd one on the bulk head bracket B by the base of the robot; with water lines toward the bottom.

With 1/2 Hardware C – Install item 10 (second water connection kit) to item 7 (bulk head bracket B). Trim excess water tubes, if necessary and connect the hoses with connectors.

With 1/3 Hardware B – Install item 12 (male end of the control cable) to item 7 (bulk head bracket B).

With Hardware D – Install item 15 (power stud) and item 16 (stud covers) to Item 7 (bulk head bracket B). Connect the end of the power cable with 90° bend to item 15.



## Step 7

With Hardware J – Examine and bundle the cables and hoses to provide enough clearance from any interference during robot movement.

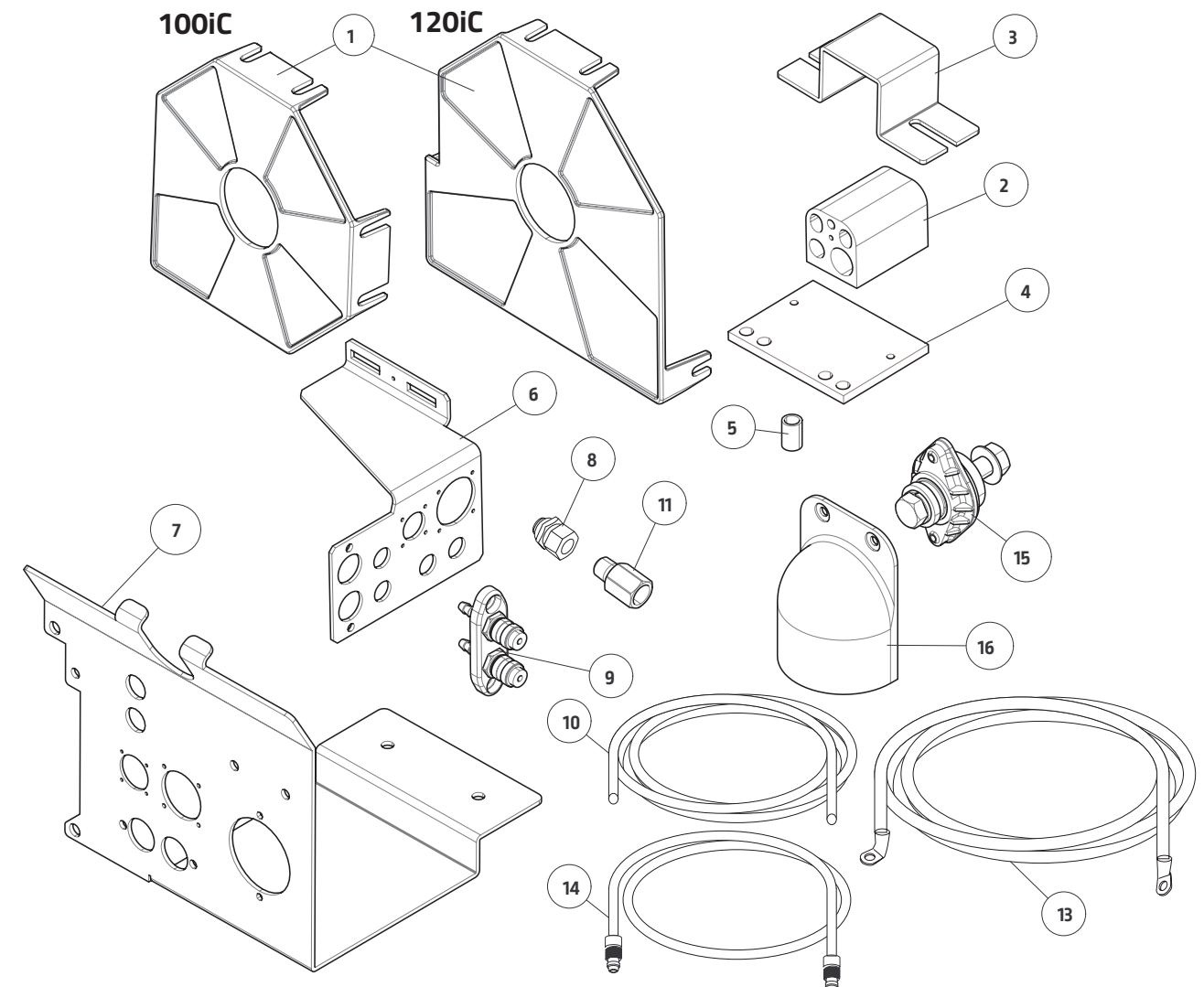
Tighten all screws and nuts.

Periodically, check the screws and nuts to make sure that they are tightened; and the cables and hoses are not damaged.

Hardware Kit Packages		Fanuc K4250-100iC-B Fanuc K4250-120iC-B	
DESCRIPTION	CONTENTS		QTY
Hardware A (item7 to Robot base)	M8x15 bolt		2
	M8 spring washer		2
	M8 flat washer		2
Hardware B (cables to item 6&7)	M3x10 Screws		12
Hardware C (item9 to item 6&7)	M4x15 bolt		4
	M4 lock washer		4
	M4 flat washer		8
	M4 nut		4
Hardware D (item15&16 to item7)	Water Hose Clamp		4
	M4x25 bolt		2
	M4 nut		2
	M4 flat washer		2
	M5x16 bolt		2
	M5 nut		2
	M5 flat washer		4
	G 1/2 Bolt		1
	G 1/2 flat washer		2
	G 1/2 Nut		1
Hardware F (item3&4 to robot & item 7)	M8x50 bolt (For 120ic only)		4
	M8x 25 bolt (For 100ic only)		4
	M8 spring washer		4
	M8 flat washer		8
	M6x20 bolt		6
	M6 spring washer		6
Hardware H (wire feeder to robot)	M6 flat washer		6
	M6x16 bolt		6
	M6 spring washer		6
Hardware I (For item1 to robot)	M6 flat washer		6
	M6x22 bolt (For 120iC only)		1
	M6x12 bolt (4 for 100iC, 3 for 120iC)		4
	M6 flat washer		4
Hardware J	M6 spring washer		4
	M6 flat washer		4
	Black Zip Tie		10

## Fanuc Dress Out Kit Instruction Manual

Select your arm:		Fanuc K4250-100iC-B		Fanuc K4250-120iC-B	
Item	Description	Part Number	Qty	Part Number	Qty
1	INSULATOR	S23119-1	1	S23119-2	1
2	RUBBER CABLE HOLDER	S31678	3	S31678	3
3	CABLE HOLDER BRACKET, TOP	M25431-1	3	M25431-1	3
4	CABLE HOLDER BRACKET, BOTTOM	S30266-17	2	S30266-17	2
5	SPACER, CABLE BRACET	N/A	0	S30266-15	4
6	BULK HEAD BRACKET, A	L16629-1	1	L16629-1	1
7	BULK HEAD BRACKET, B	L16629-2	1	L16629-2	1
8	GAS FITTING	S30266-8	2	S30266-8	2
9	WATER CONNECTION KIT	S22428-2	2	S22428-2	2
10	WATER HOSE [ 2.6M ] - Red & Blue	E4823-18	1	E4823-18	1
11	FEMALE CONNECTOR	S30266-16	2	S30266-16	2
12	HARDWARE KIT	S30266-14	1	S30266-14	1
13	POWER CABLE WITH 90 DEGREE BEND	M25431-5(1.8M)	1	M25431-6(2.7M)	1
14	GAS HOSE , 0.3 M	S30266-1	1	S30266-1	1
15	OUPUT STUDS, 1000 A	S16656-5	1	S16656-5	1
16	OUTPUT STUDS COVER	M20007	2	M20007	2



**WARNING**

**ELECTRIC SHOCK CAN KILL**

Turn off power to arm and feeder before installing dress out kit. Verify that power is not available to wirefeeder.

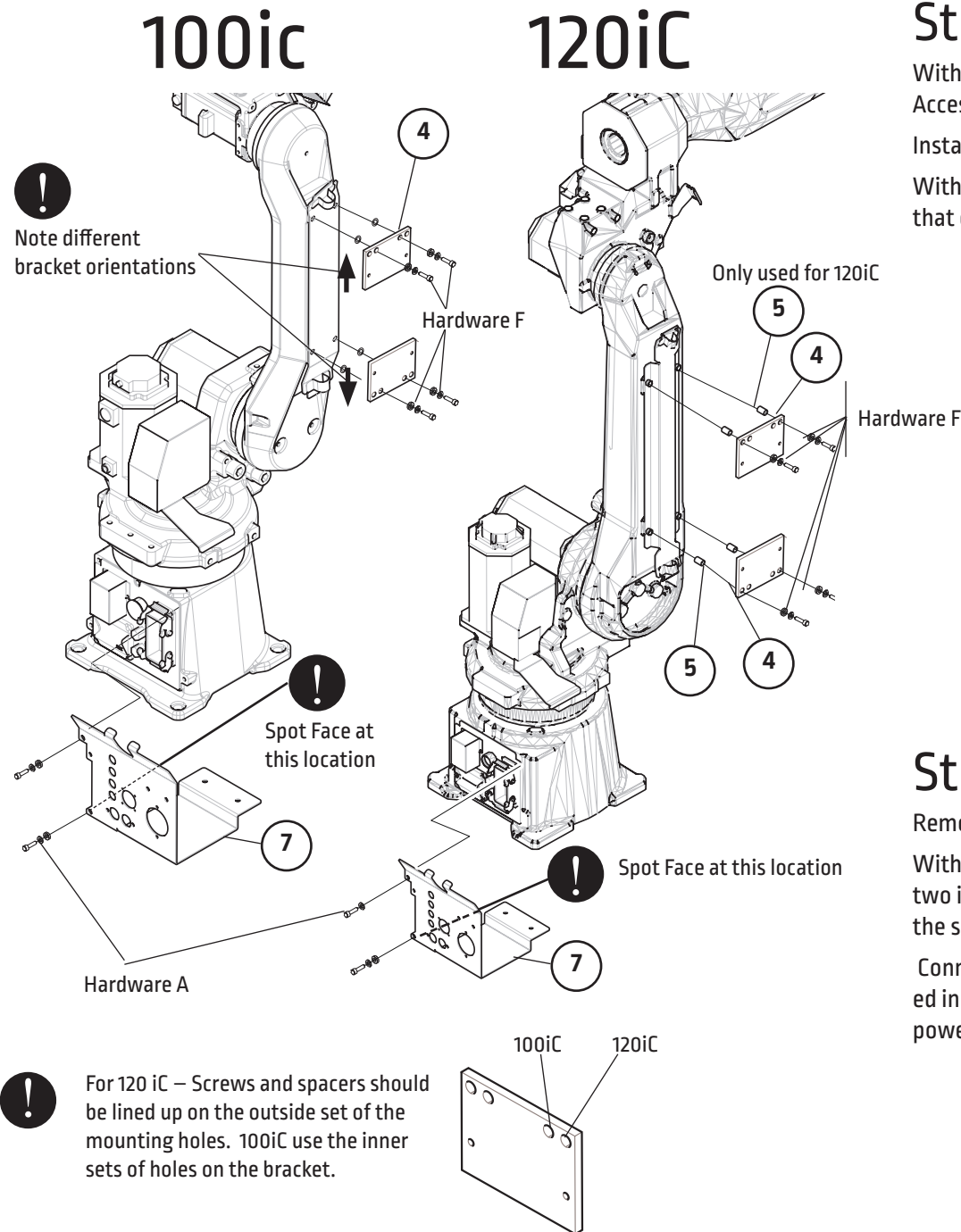
Only qualified personnel should install Dress Out Kit.

## Step 1

Spot face (grind paint away at this location) or grind out the paint around both sides of the bottom corner hole of the Item 7, Bulk Head Bracket B, to provide good ground connection.

With Hardware A – Install Item 7, bulk head bracket B, to the base of the robot. If any bolts are present, remove them and use the supplied bolts, lock washers and plain washers.

With Hardware F – Install item 4, cable holder bracket bottom. For 120iC, use Item 5 spacers (Item 5). For 100iC, replace spacer with 4 flat washers in the Hardware F.

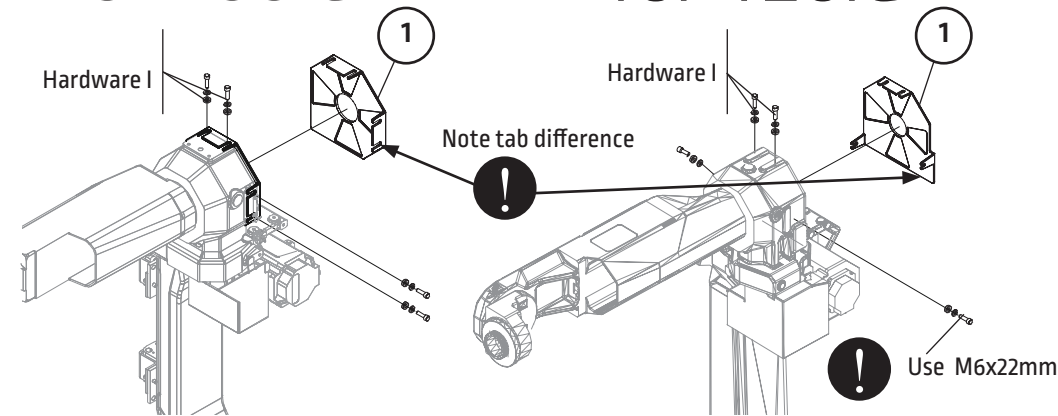


## Step 2

With Hardware I – Install item 1, the motor insulator, on to the robot.

for 100iC

for 120iC

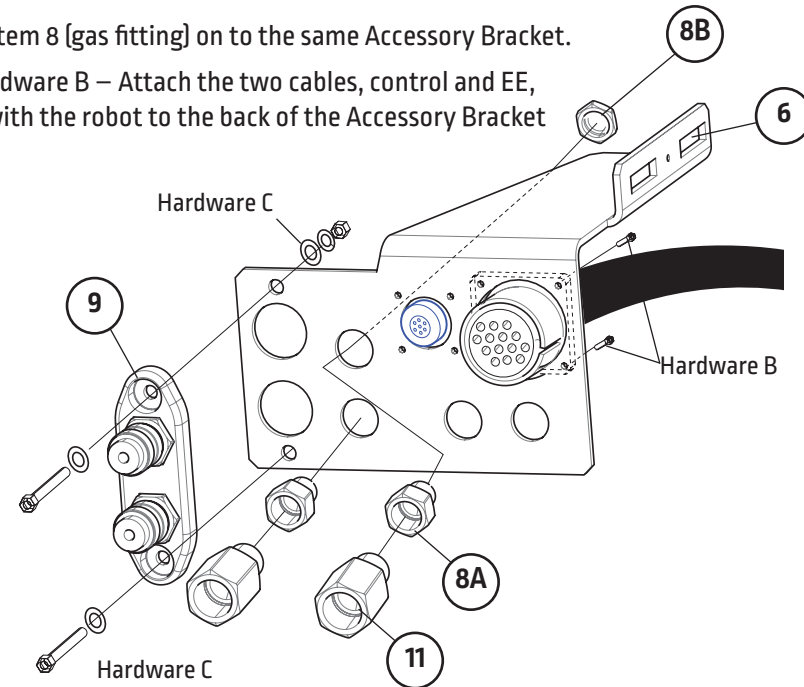


## Step 3

With 1/2 Hardware C – Attach one Item 9 (water connection Kit) to Accessory Bracket that comes with the feeder.

Install two Item 8 (gas fitting) on to the same Accessory Bracket.

With 1/2 Hardware B – Attach the two cables, control and EE, that come with the robot to the back of the Accessory Bracket

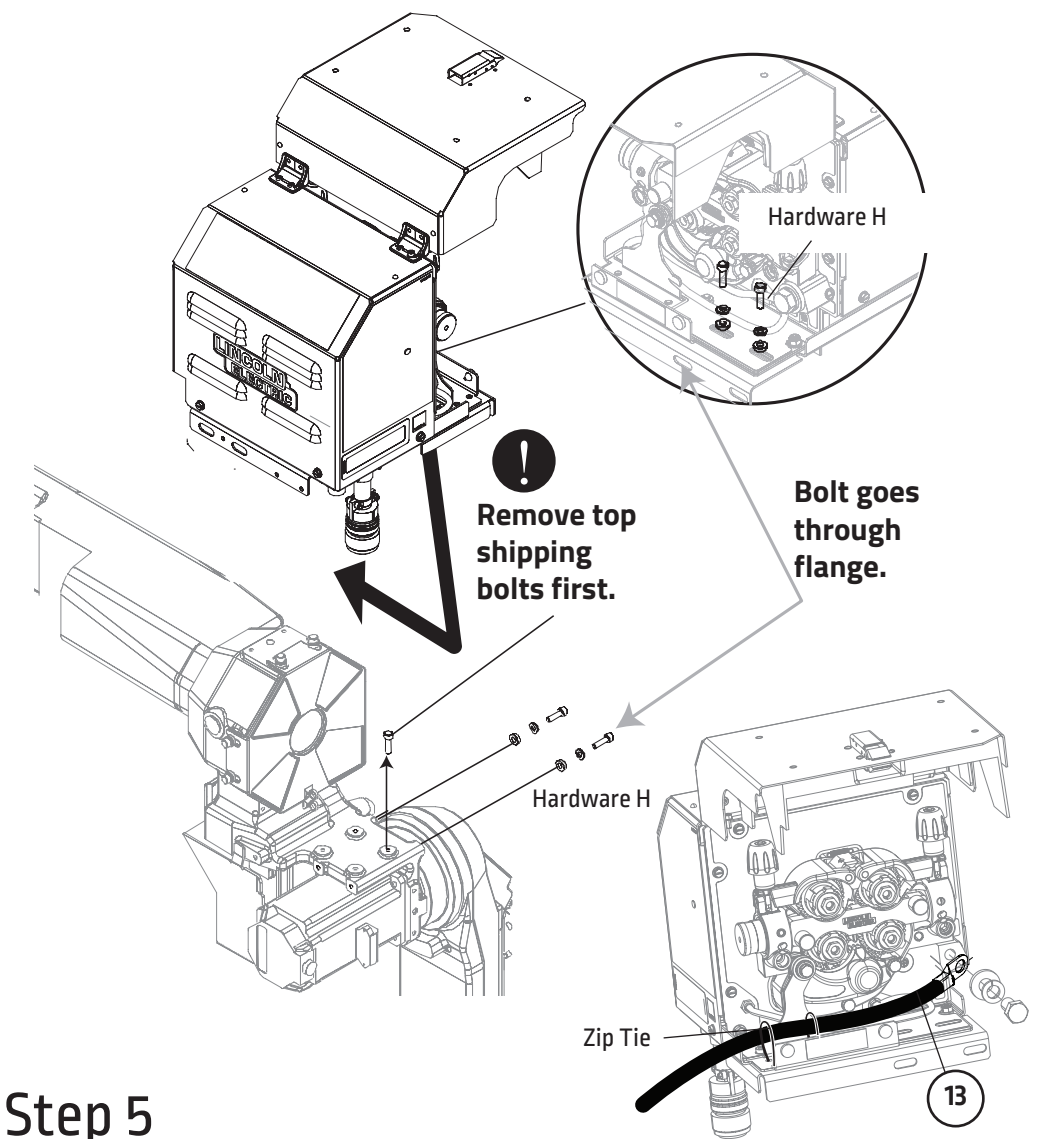


## Step 4

Remove top shipping bolts, if any.

With 4 sets of M6 in Hardware H – Install the wire feeder to the robot arm. Install the two inside the wire feeder and the side flange below the feeder door first. Do not tighten the screws at this time.

Connect the flat end of Item 13 (power cable) to inside the feeder with hardware provided in the feeder. If necessary, see feeder operator manuals for connections. Route the power cable to exit through the back of the feeder.



## Step 5

Hardware H – With 2 sets of M6 install the Accessory Bracket to the middle of the bracket underneath of the feeder mounting plate.

Tighten all Hardware H on robots.

With 1/2 Hardware C – For water cooled systems, connect both red and blue water hoses to the connection kit on the accessory bracket.

Trim and connect the air hoses come with the robot to the back of Item 8 (gas fitting) on the Item 6 (accessory bracket A). Install Item 14 (gas hose assembly) to make connection between the wire feeder and the accessory bracket air inlet

Hardware J – Bundle the water Hoses and power cables and install them into 3 of Item 2's (rubber cable holders).

