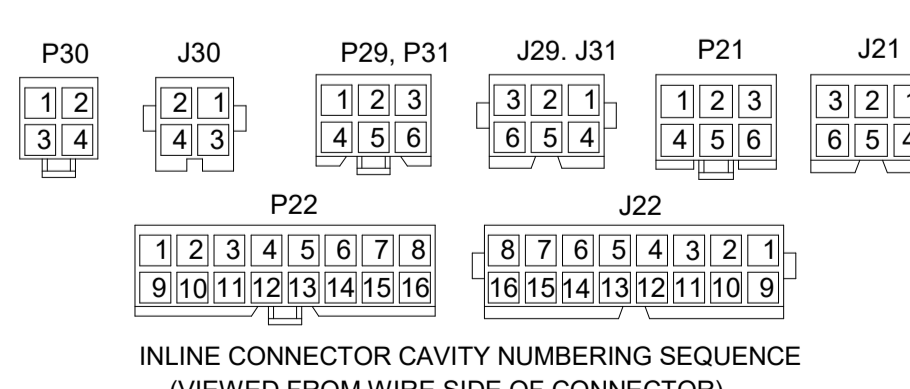
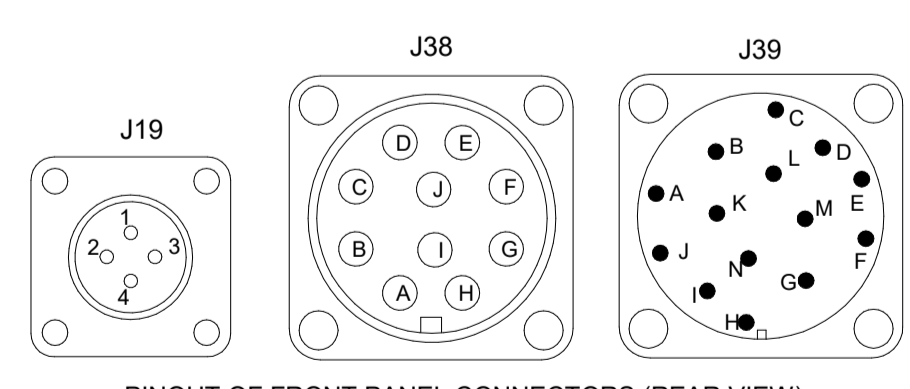
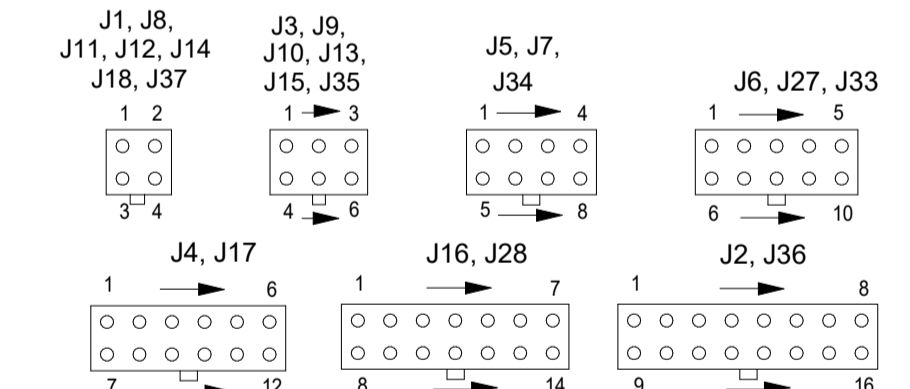
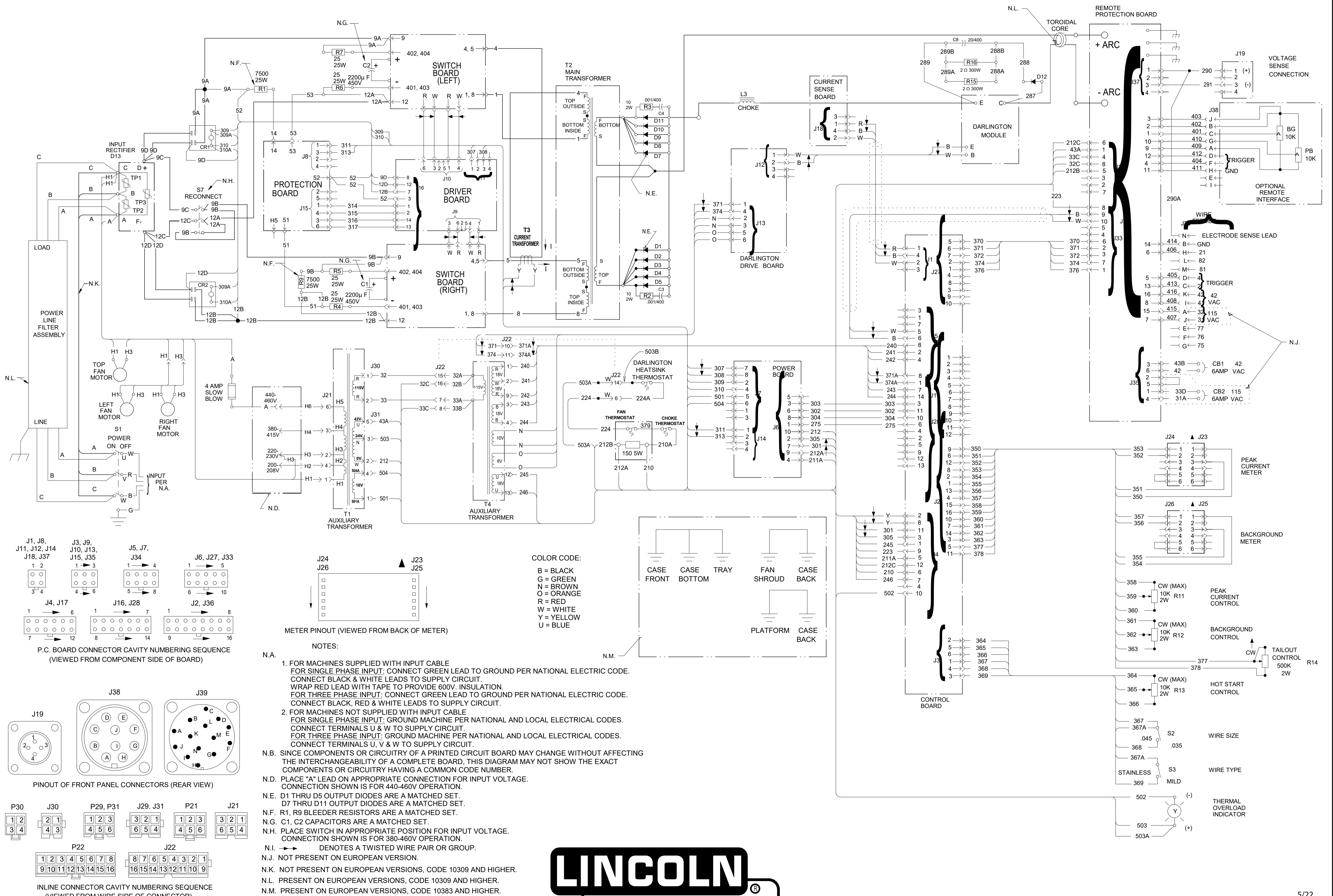


INVERTEC STT II WIRING DIAGRAM G3136 REV: B



COLOR CODE:
 B = BLACK
 G = GREEN
 N = BROWN
 O = ORANGE
 R = RED
 W = WHITE
 Y = YELLOW
 U = BLUE

- NOTES:**
- FOR MACHINES SUPPLIED WITH INPUT CABLE FOR SINGLE PHASE INPUT: CONNECT GREEN LEAD TO GROUND PER NATIONAL ELECTRIC CODE. CONNECT BLACK & WHITE LEADS TO SUPPLY CIRCUIT. WRAP RED LEAD WITH TAPE TO PROVIDE 600V. INSULATION. FOR THREE PHASE INPUT: CONNECT GREEN LEAD TO GROUND PER NATIONAL ELECTRIC CODE. CONNECT BLACK, RED & WHITE LEADS TO SUPPLY CIRCUIT.
 - FOR MACHINES NOT SUPPLIED WITH INPUT CABLE FOR SINGLE PHASE INPUT: GROUND MACHINE PER NATIONAL AND LOCAL ELECTRICAL CODES. CONNECT TERMINALS U & W TO SUPPLY CIRCUIT. FOR THREE PHASE INPUT: GROUND MACHINE PER NATIONAL AND LOCAL ELECTRICAL CODES. CONNECT TERMINALS U, V & W TO SUPPLY CIRCUIT.
- N.B. SINCE COMPONENTS OR CIRCUITRY OF A PRINTED CIRCUIT BOARD MAY CHANGE WITHOUT AFFECTING THE INTERCHANGEABILITY OF A COMPLETE BOARD, THIS DIAGRAM MAY NOT SHOW THE EXACT COMPONENTS OR CIRCUITRY HAVING A COMMON CODE NUMBER.
- N.D. PLACE "A" LEAD ON APPROPRIATE CONNECTION FOR INPUT VOLTAGE. CONNECTION SHOWN IS FOR 440-460V OPERATION.
- N.E. D1 THRU D5 OUTPUT DIODES ARE A MATCHED SET. D7 THRU D11 OUTPUT DIODES ARE A MATCHED SET.
- N.F. R1, R9 BLEEDER RESISTORS ARE A MATCHED SET.
- N.G. C1, C2 CAPACITORS ARE A MATCHED SET.
- N.H. PLACE SWITCH IN APPROPRIATE POSITION FOR INPUT VOLTAGE. CONNECTION SHOWN IS FOR 380-460V OPERATION.
- N.I. → TWISTED WIRE PAIR OR GROUP.
- N.J. NOT PRESENT ON EUROPEAN VERSION.
- N.K. NOT PRESENT ON EUROPEAN VERSIONS, CODE 10309 AND HIGHER.
- N.L. PRESENT ON EUROPEAN VERSIONS, CODE 10309 AND HIGHER.
- N.M. PRESENT ON EUROPEAN VERSIONS, CODE 10383 AND HIGHER.



CLEVELAND, OHIO U.S.A.