

APPLICATIONS:

- ▶ Specially designed to allow high flow rate from industrial and laboratory pipeline points
- ▶ The foundation is a collection point with mounting bracket, gas shut-off valve, and a universal outlet from the regulator.

FEATURES:

- ▶ Compact design (vertical inlet and outlet connections)
- ▶ High flow
- ▶ Outlet pressure up to 10 bar
- ▶ Barstock body to minimize the gas dead volume
- ▶ Maximum inlet pressure 25 bar
- ▶ One-piece encapsulated seat design with internal filter and PTFE (Teflon®*) seat
- ▶ 7 year warranty



Model shown:
POU845-1-A-100X-C-D

TECHNICAL DATA:

Panel type	Point of Use/Tapping Point
Regulator type	POU 845
Purity	99.99% (level 4.0)
Inlet pressure	25 bar
Outlet pressure	1,5 bar to 10 bar
Flow capacity	95 m ³ /h (10 bar) 60 m ³ /h (4 bar) 30 lpm for flowmeter device
Gauges	Delivery pressure only
Oxygen use	Suitable



Model shown:
POU845-2-A-100X-C-1,5AC-B-DB

MATERIALS:

Body	Brass
Bonnet	Zinc-Aluminium Alloy
Diaphragm (regulator)	Rubber neoprene reinforced with Nylon
Nozzle	Brass
Seat	Neoprene Rubber
Seals	NBR
Filter	Stainless Steel AISI 302
Adjusting Knob	ABS Plastic

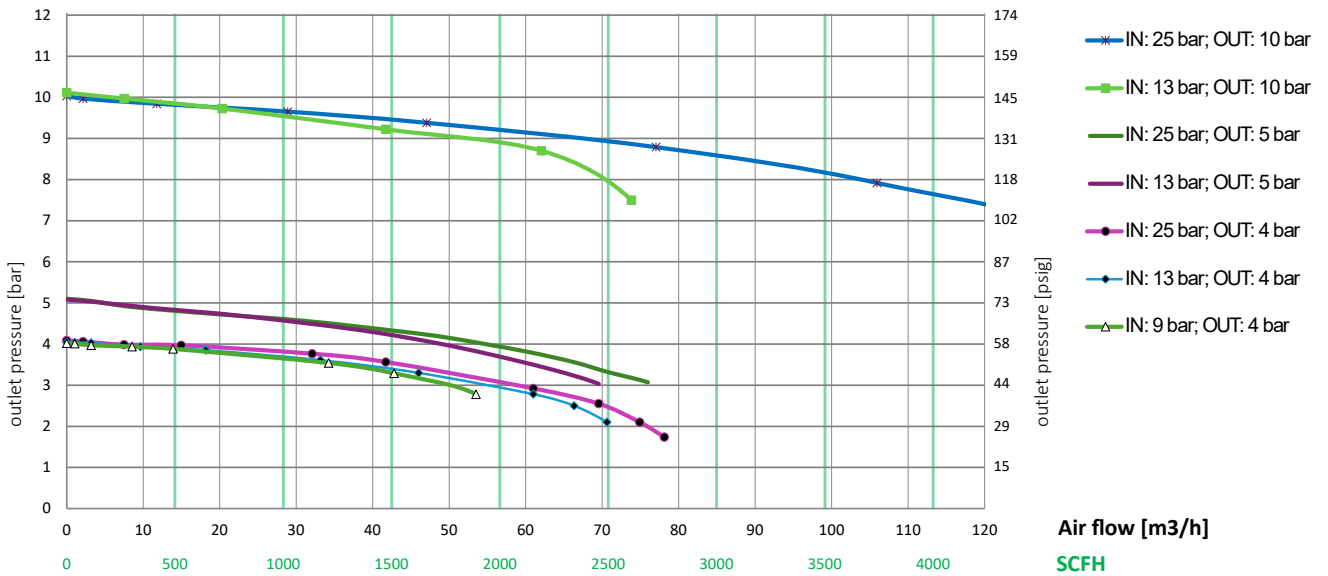


Model shown:
POU845-3-A-100X-C-1,5AC-B-15FN2-C-DBN

*Teflon® is a registered trademark of The Chemours Company.

FLOW CHART:

POU845



PRODUCT CONFIGURATION

POU845

NUMBER OF REGULATORS

- 1
- 2
- 3

INLET VALVE

- A G3/8-RH-F
- B G3/8-RH-M
- C G3/8-LH-M
- D Adaptor

REGULATOR NO 1 - pressure/flow

- 1,5 1,5 bar
- 4 4 bar
- 10 10 bar
- 15F 15 LpM - Flowmeter
- 30F 30 LpM - Flowmeter
- 15L 15 LpM - Flowgauge
- 30L 30 LpM - Flowgauge

REGULATOR NO 1 - gas

- AC Acetylene
- LPG Propane
- OX Oxygen
- ARC Argon/CO₂
- N2 Nitrogen

REGULATOR NO 1 - outlet

- A G3/8-RH
- B G3/8-LH
- C G1/4-RH
- D G1/4-LH
- E 9/16-RH
- F 9/16-LH
- G Flashback arrestor
- H Hose barb 6mm
- K Hose barb 8mm
- L Hose barb 10mm
- M Double flowmeter
- N Double hose barb 8/6mm
- P Covering plate

REGULATOR NO 1 - lever

- D Blue
- B Red
- N Black
- E Orange
- A Grey

WHEN SELECTING MORE THAN ONE OPTION, MAINTAIN ORDER INDICATED

SEPARATE EACH SECTION BY DASH “-”

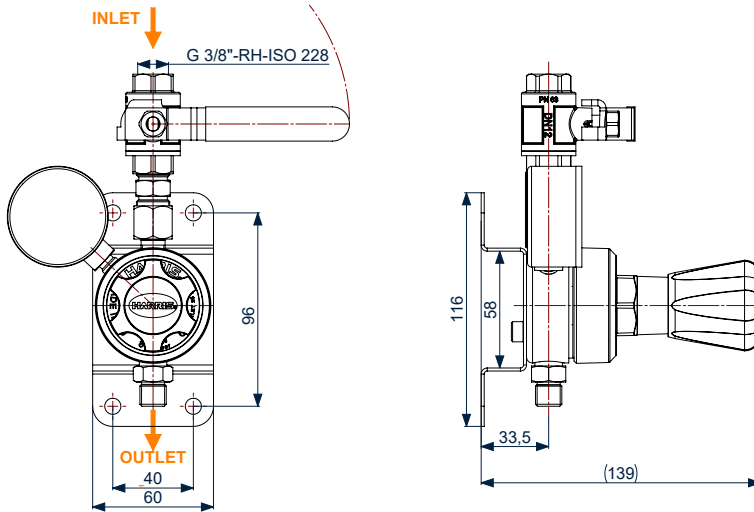
FOR OPTION WITH 2 OR 3 REGULATORS REPEAT ACCORDING TO PATTERN

POU845 1 A 1,5 AC B B

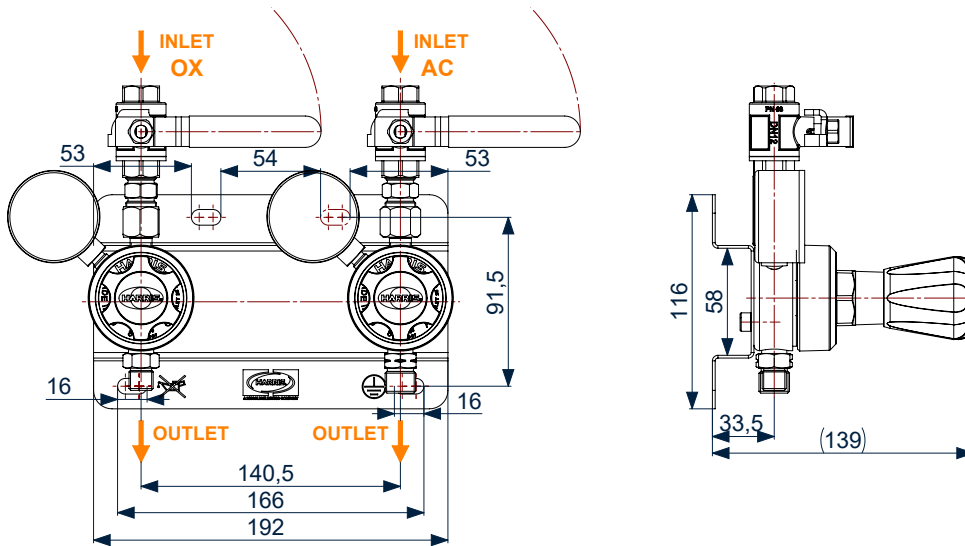
When placing an order, use the code generated according to the table above.
 Example: POU845-3-A-1,5AC-B-B-100X-C-D-15FARC-C-N

TECHNICAL DRAWINGS:

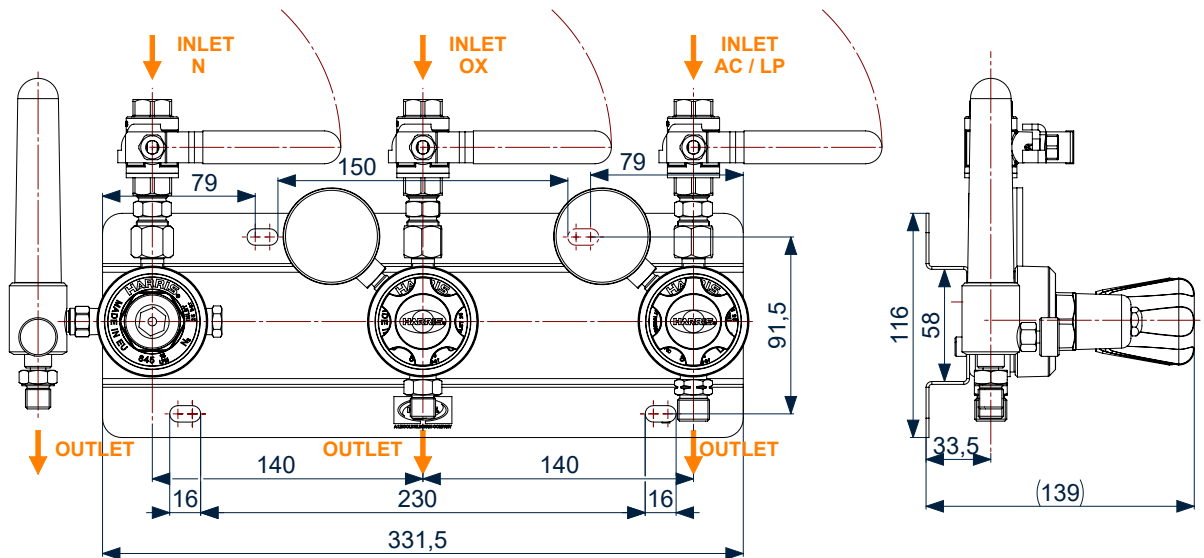
SINGLE POU



DOUBLE POU



TRIPLE POU



Harris Calorific International Sp. z o.o.
 ul. Strefowa 8, 58-200 Dzierżonów, Poland
 Phone: +48 74 646 23 52-3
 marketingharris@lincolnelectric.eu
 www.harrisproductsgroup.eu

Distributed by: