

CITOSTEEL 355S, 425S, 505S

Spare Parts.....	1
Figure A, B: Machine Assembly	2
Figure C, D, E: Inside Machine Assembly	6
Figure F: Front Assembly	8
Miscellaneous Items (not shown in figure A, B, C, D, E, F).....	8
Electrical Schematic.....	9
CODE: 50505	9
CODE: 50506	10
CODE: 50507	11
CODE: 50655, 50656, 50657	12



Spare Parts

SP50505, SP50506, SP50507, 50655, 50656, 50657 REV01
12/2022

ASSEMBLY PAGE NAME			Machine Assembly	Machine Assembly	Inside Machine Assembly	Inside Machine Assembly	Inside Machine Assembly	Front Assembly	Miscellaneous Items
CODE NO.:	K NO.:	FIGURE NO.:	A	B	C	D	E	F	-
50505	W000404457	CITOSTEEL 355S	1	-	1	-	-	1	1
50655			-	2	-	-	2	2	2
50506	W000404458	CITOSTEEL 425S	3	-	-	3	-	3	3
50656			-	4	-	-	4	4	4
50507	W000404459	CITOSTEEL 505S	5	-	-	5	-	5	5
50657			-	6	-	-	6	6	6

*items highlighted in bold are recommended spare parts

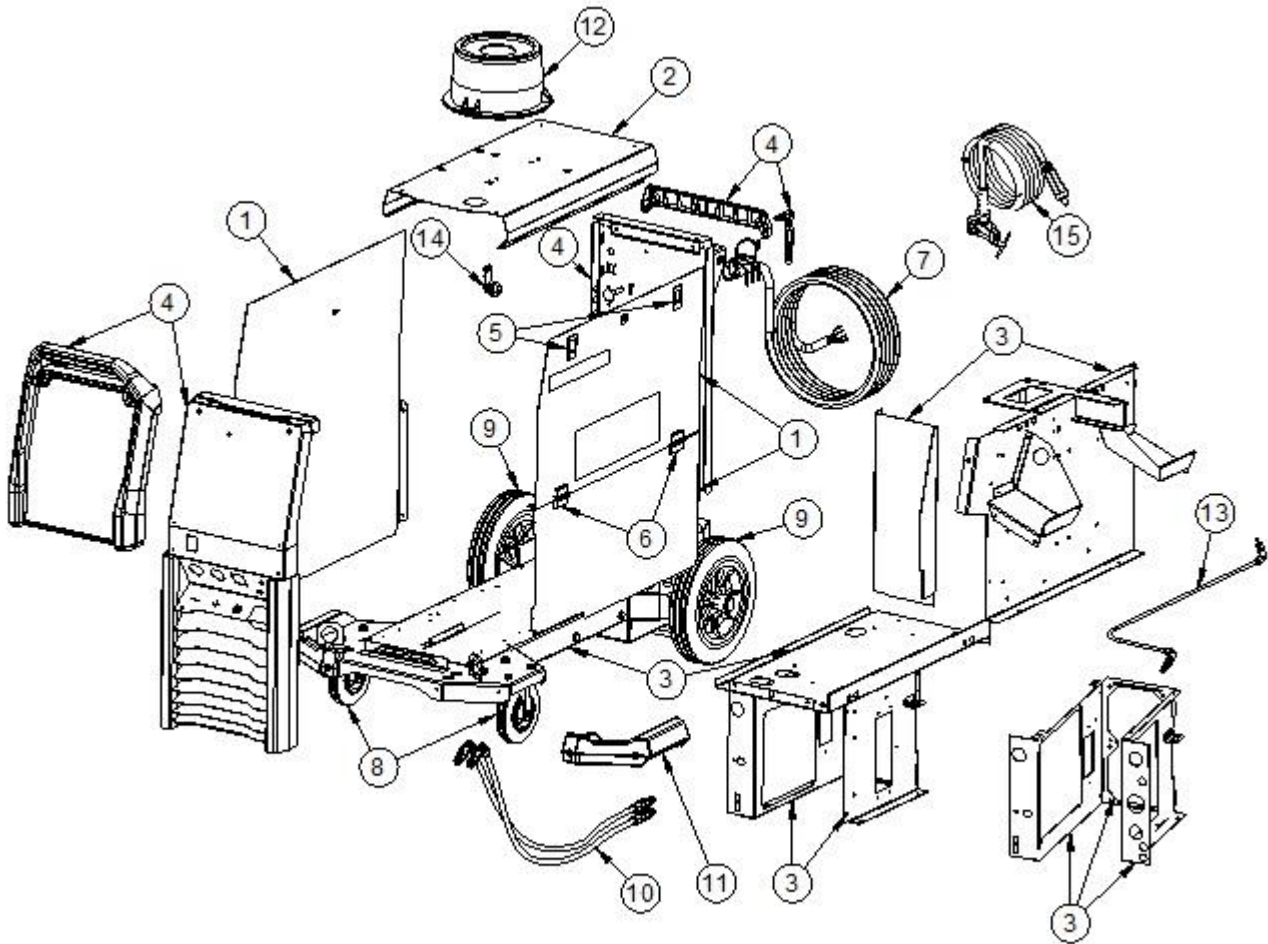


Figure A

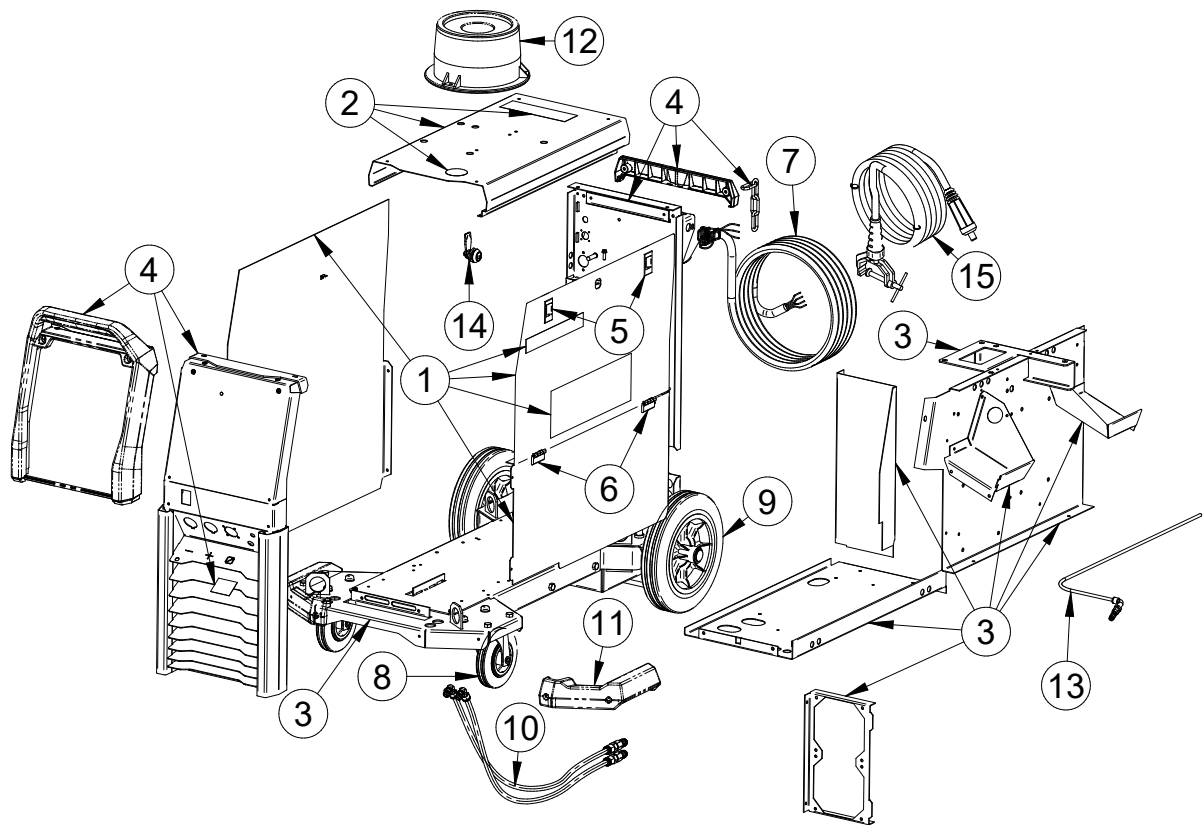


Figure B

Figure A, B: Machine Assembly

Item	Description	Part Number	QTY	1	2	3	4	5	6	7
1	SIDE PANEL KIT includes:	T-8040-072-1R	1	X	X	X	X	X	X	
	LEFT SIDE PANEL		1	X	X	X	X	X	X	
	UPPER SIDE PANEL		1	X	X	X	X	X	X	
	BOTTOM SIDE PANEL		1	X	X	X	X	X	X	
	LABEL - ROLLS COLOURS		1	X	X	X	X	X	X	
2	COVER KIT includes:	T-8040-029-1R	1	X	X	X	X	X	X	
	SHELF		1	X	X	X	X	X	X	
	WARNING LABEL		1	X	X	X	X	X	X	
3	BASE, PARTITION, SHELF KIT includes:	T-8040-030-1R	1	X						
	BASE ASSEMBLY		1	X						
	PARTITION ASSEMBLY		1	X						
	COVER		1	X						
	SHELF		1	X						
	FUSE LABEL		1	X						
	BRACKET		1	X						
3	BASE, PARTITION, SHELF KIT includes:	T-8040-037-1R	1			X		X		
	BASE ASSEMBLY		1			X		X		
	PARTITION ASSEMBLY		1			X		X		
	COVER		1			X		X		
	SHELF		1			X		X		
	FUSE LABEL		1			X		X		
	BRACKET		1			X		X		

3	BASE, PARTITION, SHELF KIT includes:	T-8040-185-1R	1		X		X		X	
	BASE ASSEMBLY		1		X		X		X	
	PARTITION ASSEMBLY		1		X		X		X	
	COVER		1		X		X		X	
	SHELF		1		X		X		X	
	FUSE LABEL		1		X		X		X	
	SHELF		1		X		X		X	
	SHELF		1		X		X		X	
	LEG ASSEMBLY		1		X		X		X	
	PARTITION		1		X		X		X	
4	FRONT AND REAR PANEL KIT:	T-8040-073-1R	1	X						
	FRONT PANEL ASSEMBLY		1	X						
	REAR PANEL ASSEMBLY		1	X						
	IN LABEL		1	X						
	OUT LABEL		1	X						
	IN/OUT LABEL		1	X						
	GAS LABEL		1	X						
	FRONT HANDLE COMPLETE		1	X						
	BACK PANEL CASE		1	X						
	CHAIN		1	X						
4	FRONT AND REAR PANEL KIT:	T-8040-074-1R	1			X		X		
	FRONT PANEL ASSEMBLY		1			X		X		
	REAR PANEL ASSEMBLY		1			X		X		
	IN LABEL		1			X		X		
	OUT LABEL		1			X		X		
	IN/OUT LABEL		1			X		X		
	GAS LABEL		1			X		X		
	FRONT HANDLE COMPLETE		1			X		X		
	BLACK PANEL CASE		1			X		X		
	CHAIN		1			X		X		
4	FRONT AND REAR PANEL KIT:	T-8040-186-1R	1		X		X		X	
	FRONT PANEL ASSEMBLY		1		X		X		X	
	REAR PANEL ASSEMBLY		1		X		X		X	
	LABEL WATER AND GAS		1		X		X		X	
	LABEL		1		X		X		X	
	IN/OUT LABEL		1		X		X		X	
	COVER		1		X		X		X	
	FRONT HANDLE COMPLETE		1		X		X		X	
	BACK PANEL CASE		1		X		X		X	
	CHAIN		1		X		X		X	
	CAP		1		X		X		X	
	HOLE PLUG		1		X		X		X	
5	LOCK	0654-610-004R	2	X	X	X	X	X	X	
6	LEAF HINGE	0654-610-007R	2	X	X	X	X	X	X	
7	MAIN INPUT CORD	R-5041-497-1R	1	X						
	MAIN INPUT CORD	R-5041-497-2R	1			X		X		
	MAIN INPUT CORD	R-5041-654-1R	1				X		X	
	MAIN INPUT CORD	R-5041-654-2R	1		X					

8	TURING WHEEL DIA-125	1029-660-127R	2	X	X	X	X	X	X	
9	WHEEL DIA-250	1029-660-250R	2	X	X	X	X	X	X	
10	WATER CONNECTION KIT:	T-8040-032-1R	1	X						
	COOLING HOSES		2	X						
	COUPLING RECTUS		4	X						
	THREAD ADAPTER		4	X						
	ORIENTING ELBOW MALE ADAPTOR		2	X						
	STRAIGHT MALE ADAPTOR		2	X						
10	WATER CONNECTION KIT:	T-8040-034-1R	1		X	X	X	X	X	
	COOLING HOSES		2		X	X	X	X	X	
	COUPLING RECTUS		4		X	X	X	X	X	
	THREAD ADAPTER		4		X	X	X	X	X	
	ORIENTING ELBOW MALE ADAPTOR		2		X	X	X	X	X	
	STRAIGHT MALE ADAPTOR		2		X	X	X	X	X	
11	BUMPER KIT	T-8040-047-1R	1	X	X	X	X	X	X	
12	SWIVEL BRACKET	1361-598-181R	1	X	X	X	X	X	X	
13	GAS CONNECTION KIT:	T-8040-046-1R	1	X	X	X	X	X	X	
	GAS HOSE		1	X	X	X	X	X	X	
	ELBLOW 1/8 WITH SEAL		2	X	X	X	X	X	X	
	BRASS QUICK CONNECTOR		1	X	X	X	X	X	X	
	BRASS QUICK COUPLING		1	X	X	X	X	X	X	
14	KEY LOCK	0654-610-001R	1	X	X	X	X	X	X	
15	WELDING CABLE	R-5041-024-1R	1	X	X					
	WELDING CABLE	R-5041-024-2R	1			X	X	X	X	

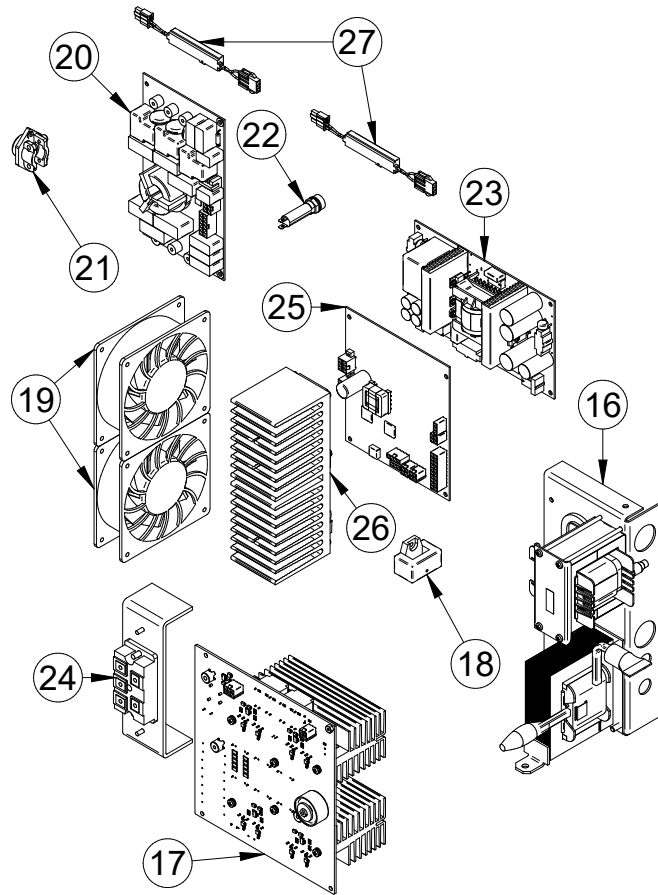


Figure C

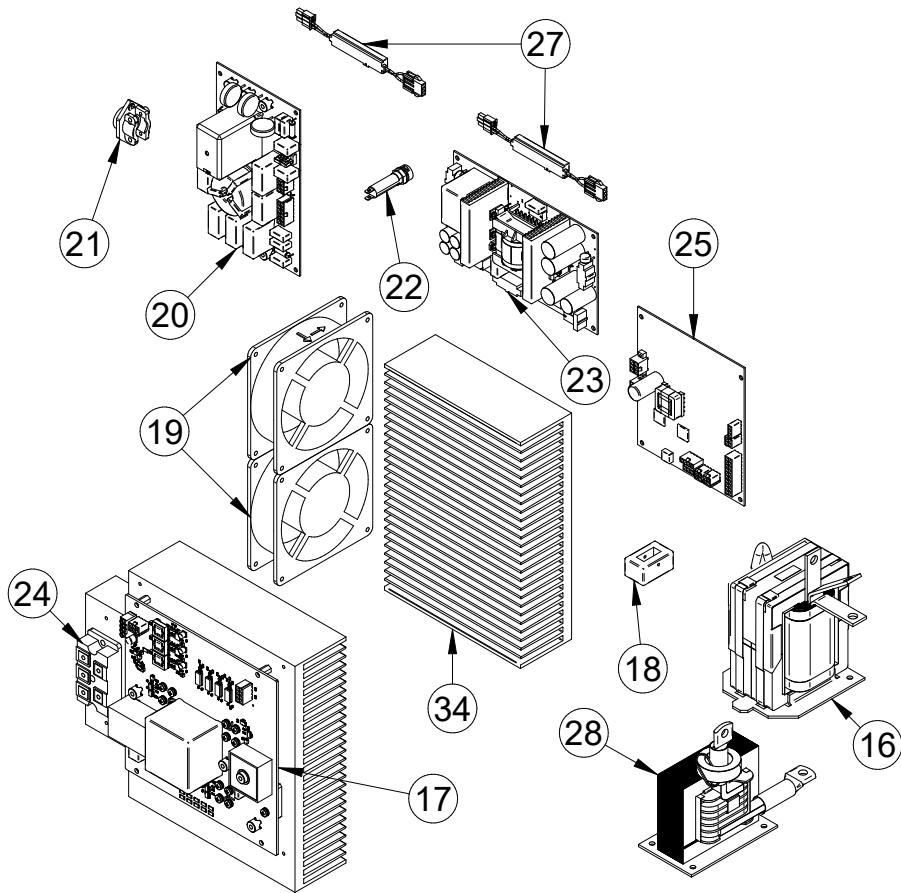


Figure D

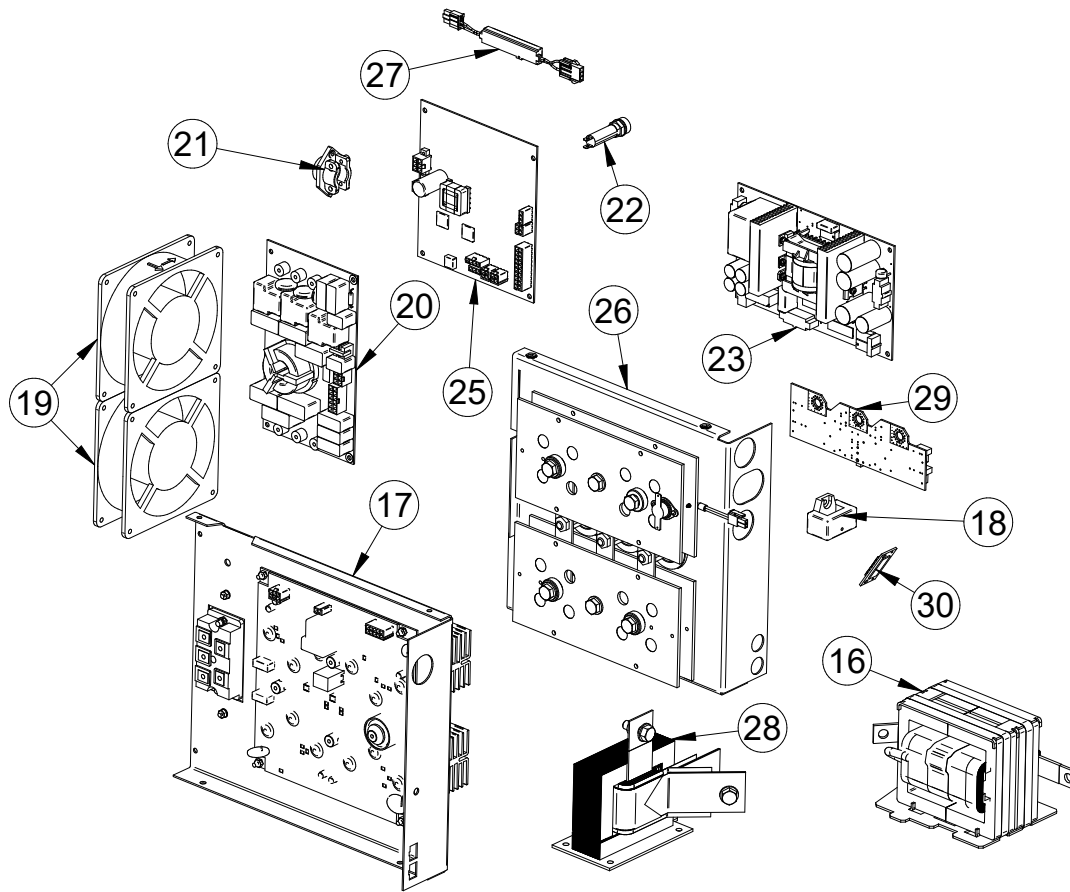


Figure E

Figure C, D, E: Inside Machine Assembly

Item	Description	Part Number	QTY	1	2	3	4	5	6	7
16	TRANSFORMER AND CHOKE	R-8040-420-1R	1	X						
	TRANSFORMER	R-4034-175-2R	1			X		X		
	TRANSFORMER	R-4034-182-1R	1		X		X		X	
17	INVERTER BOARD	R-6042-079-1R	1	X						
	INVERTER BOARD	T-8040-022-1R	1			X		X		
	INVERTER BOARD ASSEMBLY	R-8040-508-1R	1				X		X	
	INVERTER BOARD ASSEMBLY	R-8040-508-2R	1		X					
18	HALL SENSOR	W4900004R	1	X	X	X	X	X	X	
19	FAN	R-8040-433-1R	2	X						
	FAN	W66X1369R	2		X	X	X	X	X	
20	INPUT FILTER	Y051-1R	1	X	X					
	INPUT FILTER	Y056-1R	1			X	X	X	X	
21	CABLE RELIEF	1361-599-674R	1	X	X	X	X	X	X	
22	FUSE SOCKET	1158-632-032R	1	X	X	X	X	X	X	
	FUSE 2A 400V	1158-660-010R	1	X	X	X	X	X	X	
23	SUPPLY PC BOARD	R-6042-081-1R	1	X	X	X	X	X	X	
24	THREE PHASE BRIDGE	W4100021R	1	X		X		X		
25	CONTROL BOARD	R-6042-091-1R	1	X						
	CONTROL BOARD	R-6042-092-1R	1			X				
	CONTROL BOARD	R-6042-093-1R	1					X		
	CONTROL BOARD	R-6042-121-2R	1		X					
	CONTROL BOARD	R-6042-122-2R	1				X			
	CONTROL BOARD	R-6042-123-2R	1						X	

26	OUTPUT BRIDGE	R-8040-388-1R	1	X						
	HEATSINK KIT	T-8040-023-1R	1			X				
	HEATSINK KIT	T-8040-033-1R	1					X		
	OUTPUT BRIDGE	R-8040-499-1R	1				X		X	
	OUTPUT BRIDGE	R-8040-499-2R	1		X					
27	LED MODULE	R-5041-508-1R	2	X	X	X	X	X	X	
28	CHOKE	R-8040-441-1R	1			X		X		
28	CHOKE	R-8040-513-1R	1		X		X		X	
29	OUTPUT AND FILTER BOARD (PTi)	Y087-1R	1		X		X		X	
30	OUTPUT EMC-FILTER	Y097-2R	1		X		X		X	

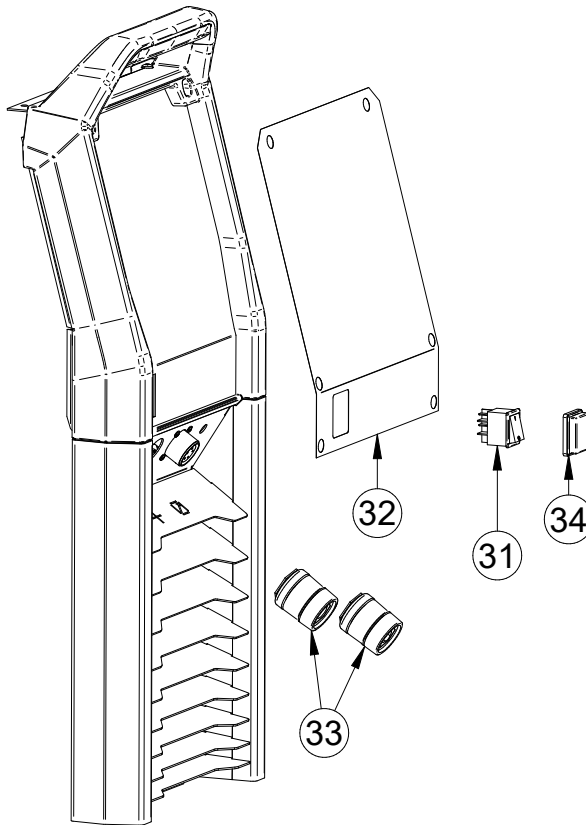


Figure F

Figure F: Front Assembly

Item	Description	Part Number	QTY	1	2	3	4	5	6	7
31	MAIN SWITCH	1115-270-022R	1	X	X	X	X	X	X	
32	FRONT LABEL	R-0000-128-1R	1	X	X					
	FRONT LABEL	R-0000-122-1R	1			X	X			
	FRONT LABEL	R-0000-125-1R	1					X	X	
33	SOCKET	2EINN0500FR	2	X	X					
	SOCKET	90000595PR	2			X	X	X	X	
34	SWITCH COVER AND BEZEL	1115-299-073R	1	X	X	X	X	X	X	

Miscellaneous Items (not shown in figure A, B, C, D, E, F)

Item	Description	Part Number	QTY	1	2	3	4	5	6	7
35	HARNESSES KIT	T-8040-035-1R	1	X						
36	HARNESSES KIT	T-8040-036-1R	1			X		X		
37	HARNESSES KIT	T-8040-187-1R	1		X					
38	HARNESSES KIT	T-8040-187-2R	1				X		X	

Electrical Schematic

CODE: 50505

