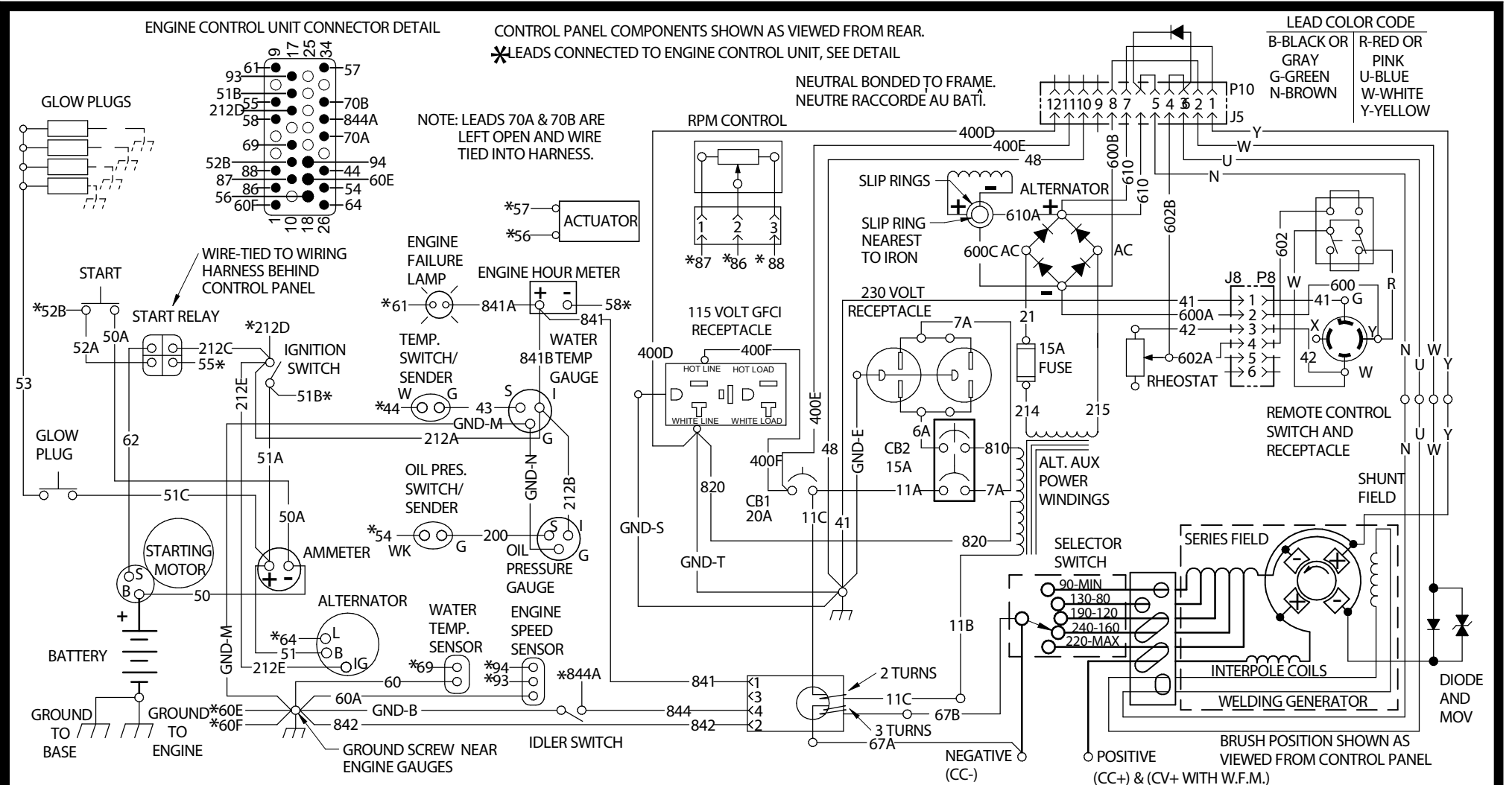
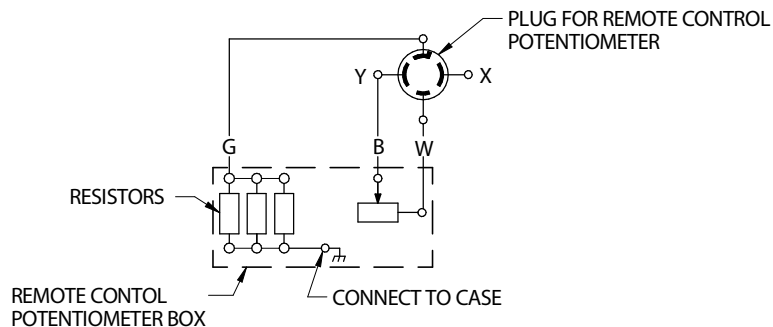


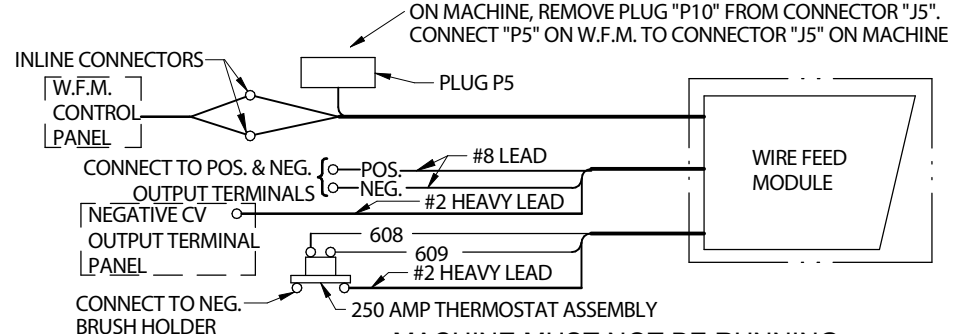
CLASSIC 300 D WIRING DIAGRAM M21293 REV: A



K924-5 REMOTE CONTROL (OPTIONAL)



WIRE FEED MODULE (OPTIONAL)



MACHINE MUST NOT BE RUNNING WHEN MAKING THESE CONNECTIONS. 12/21