

# ASPECT® 200

Spare Parts .....	1
Figure A-D-E : ASPECT® 200 Machine Main Assembly .....	2
Figure B: ASPECT® 200 Machine Front Assembly .....	3
Figure C: ASPECT® 200 Machine Rear Assembly .....	4
Figure D: ASPECT® 200 Output Assembly .....	5
Figure E: ASPECT® 200 Output Power Assembly .....	6
Figure F: ASPECT® 200 Inverter/Boost Board Assembly .....	7
Electrical Schematic .....	8
CODE 50481 .....	8



# Spare Parts

SP50481 REV02  
05/23

ASSEMBLY PAGE NAME			Machine Main Assembly	Machine Front Assembly	Machine Rear Assembly	Machine Output Assembly	Machine Output Power Assembly	Machine Inverter/Boost Board Assembly
CODE NO.:	W NO.:	FIGURE NO.:	A	B	C	D	E	F
50481	K14189-2	ASPECT® 200 AUS	1	1	1	1	1	1

\*items highlighted in bold are recommended spare parts

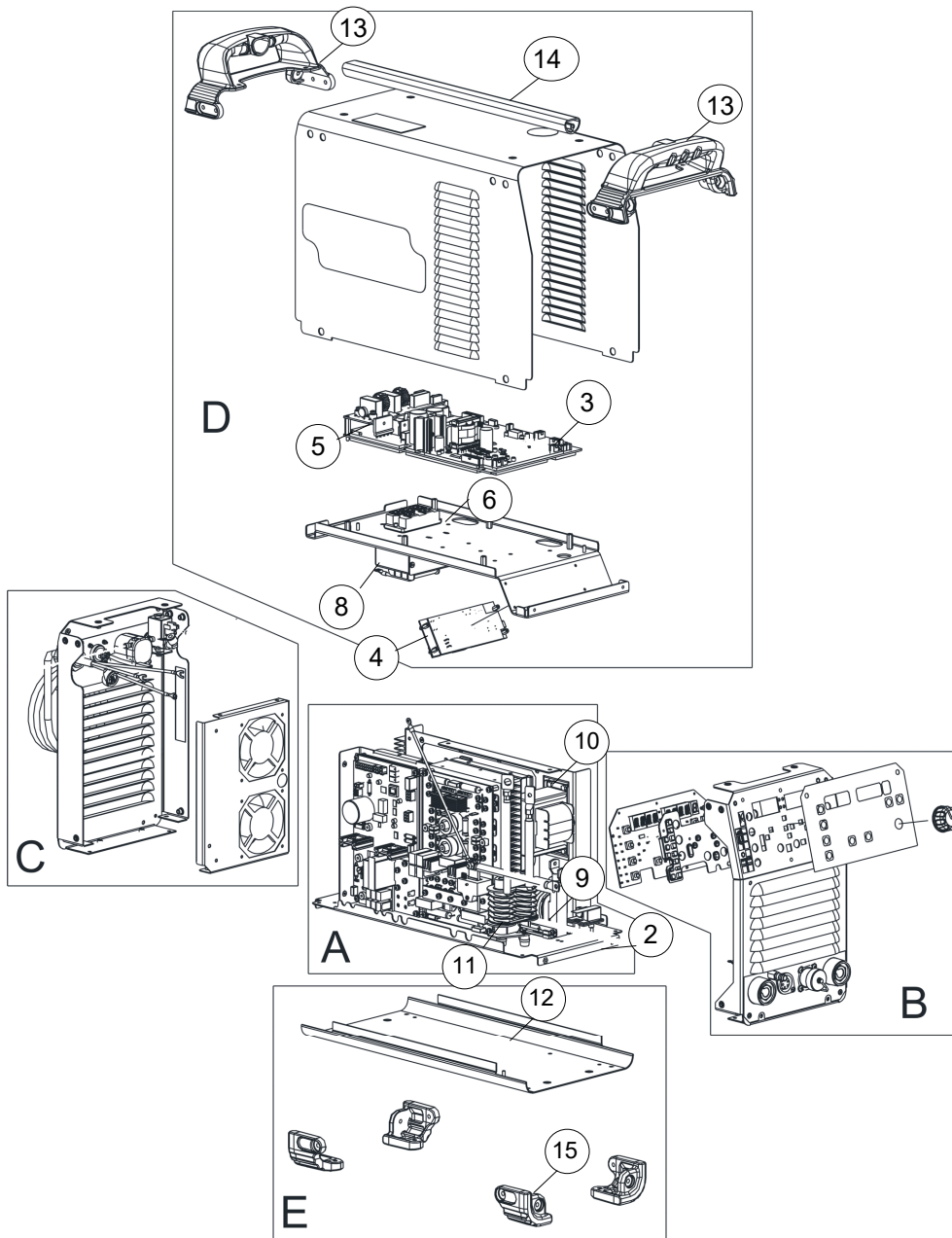


Figure A

**Figure A-D-E : ASPECT® 200 Machine Main Assembly**

Item	Description	Part Number	QTY	1	2	3	4	5	6	7
1	WRAP ASSEMBLY KIT (INCLUDES WRAPARAUND+LINCOLN LOGO +WARRANTY STICKER+WARNING STICKER)	R-3119-014-1R	1	X						
2	HF CAPACITORS BOARD	W05X1516R	1	X						
<b>3</b>	<b>INPUT BOARD</b>	<b>W05X1604-2R</b>	<b>1</b>	<b>X</b>						
4	HF BOARD	W05X1615-2R	1	X						
5	EMI FILTER BOARD	W05X1665-1R	1	X						
6	BRIDGE 3PH 60A 1200V	W4100021R	1	X						
7	CAPACITORS FILTER	R-5141-041-1R	1	X						
8	BB CHOKE	W58X1602R	1	X						
9	OUTPUT CHOKE	W58X1635R	1	X						
10	MAIN TRANSFORMER	W59X1624R	1	X						
11	HF TRANSFORMER	W59X1664R	1	X						
12	BOTTOM BASE	W93X1421R	1	X						
13	FRONT / REAR HANDLE	W95X1146R	2	X						
14	HANDLE	W92X0228-5R	1	X						
15	CORNER BAMPER	W95X1147R	4	X						

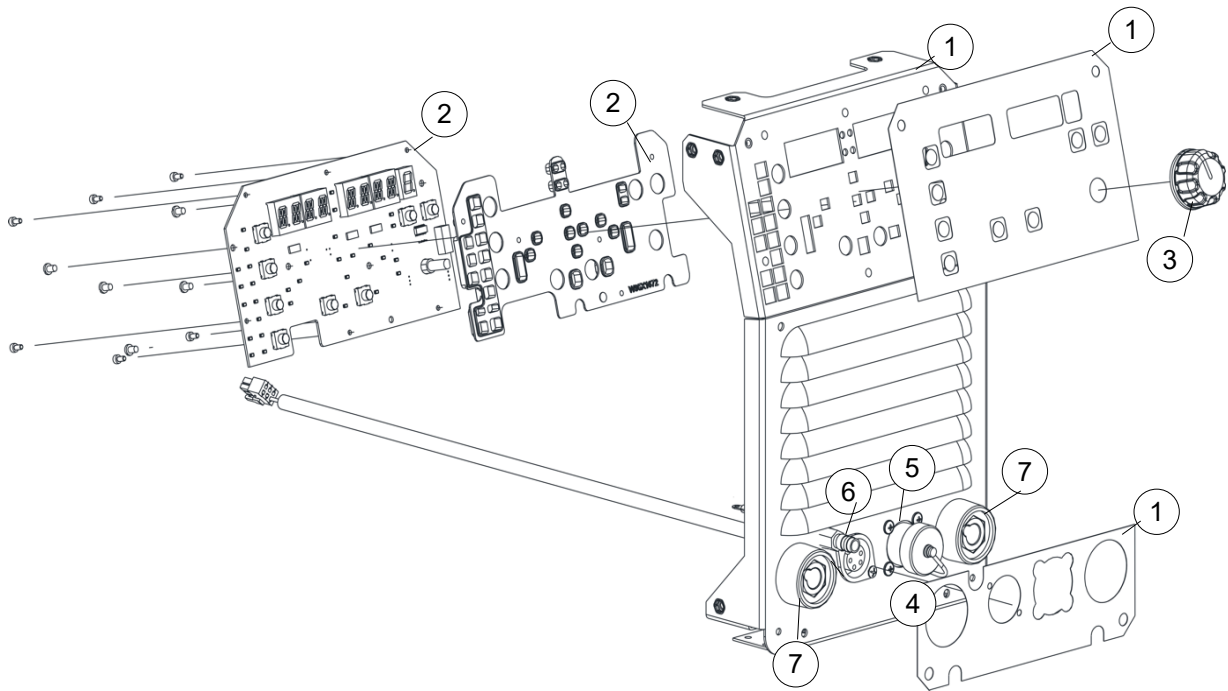


Figure B

**Figure B: ASPECT® 200 Machine Front Assembly**

Item	Description	Part Number	QTY	1	2	3	4	5	6	7
1	FRONT FRAME KIT (INCLUDES NAMEPLATES)	R-3119-023-1R	1	X						
2	DISPLAY P.C. BOARD KIT (INCLUDES LIGHT GUIDE and its screws)	W05X1607-2R	1 1	X X						
3	KNOB	9SM22778-2	1	X						
4	TRIGGER TORCH CONNECTOR HARNESS	R-5141-078-1R	1	X						
5	REMOTE CONTROL CONNECTOR HARNESS	R-5141-046-1R	1	X						
6	FITTING QUICK CONNECTION PU 1/8	W8800082R	1	X						
7	DINSE CONNECTOR	W7690350R	2	X						

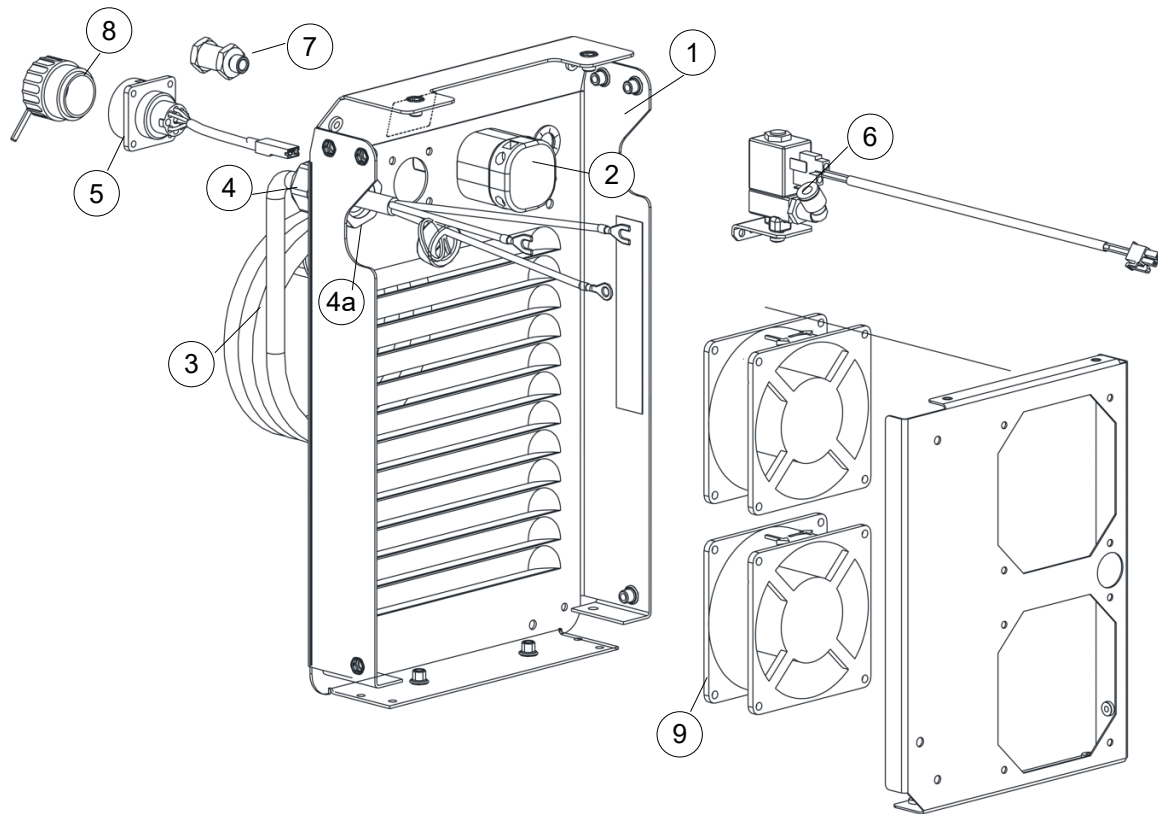


Figure C

Figure C: ASPECT® 200 Machine Rear Assembly

Item	Description	Part Number	QTY	1	2	3	4	5	6	7
1	REAR FRAME KIT (INCLUDES STICKERS)	R-3119-024-1/08R	1	X						
2	MAIN SWITCH	W7511710R	1	X						
3	INPUT CORD	R-5141-086-1R	1	X						
4	CABLE CLAMP	W8400006R	1	X						
4A	CABLE CLAMP NUT	W8400007R	1	X						
5	WATER COOLER CONNECTOR HARNESS	R-5141-080-1R	1	X						
6	<b>SOLENOID VALVE</b>	<b>W8500011R</b>	<b>1</b>	<b>X</b>						
7	FITTING 1/4-1/8 + NUT 1/4	W8896074R	1	X						
8	SOCKET COVER	1158-641-015R	1	X						
9	FAN ASSEMBLY	W66X1692R	2	X						

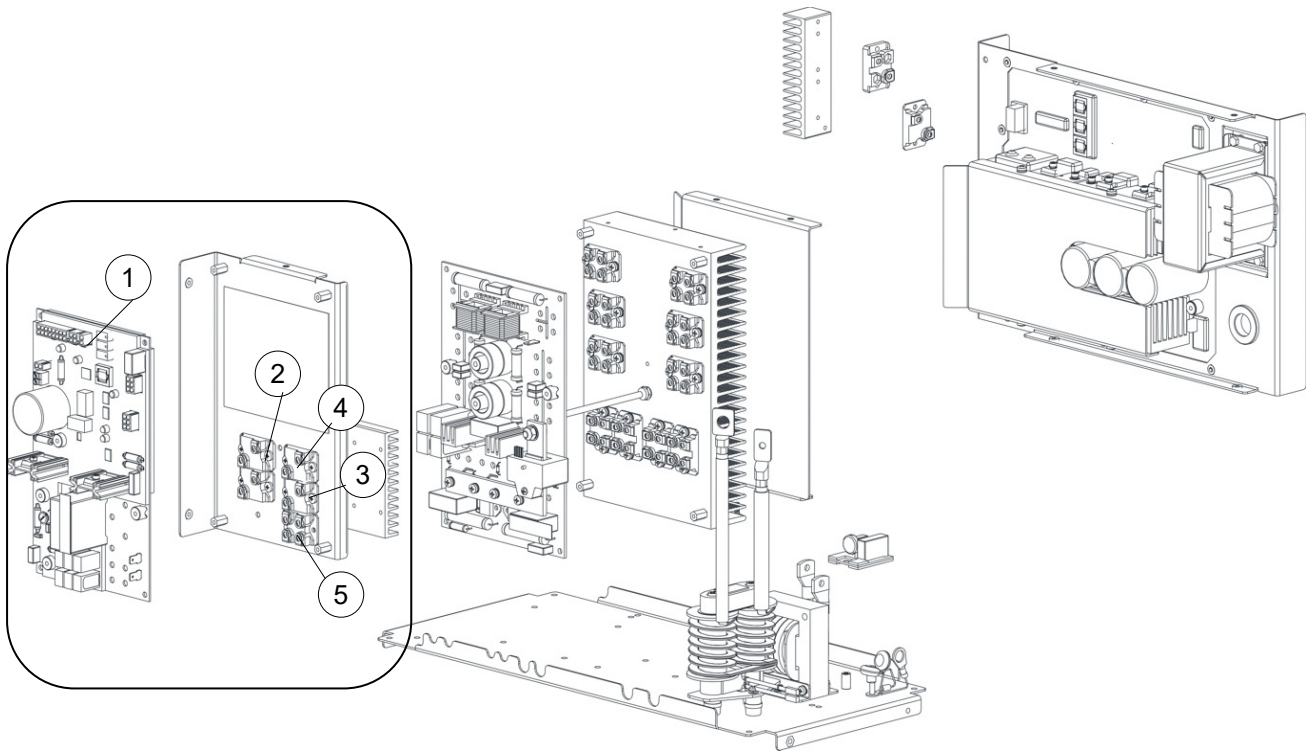


Figure D

Figure D: ASPECT® 200 Output Assembly

Item	Description	Part Number	QTY	1	2	3	4	5	6	7
1	OUTPUT BOARD	W05X1606-2R	1	X						
2	RESISTOR 100OHM 100W	W1810010R	2	X						
3	RESISTOR 27OHM 100W	W1810027R	1	X						
4	RESISTOR 47OHM 100W	W1810047R	1	X						
5	1-PH BRIDGE 60A SOT-227	W4300022R	1	X						

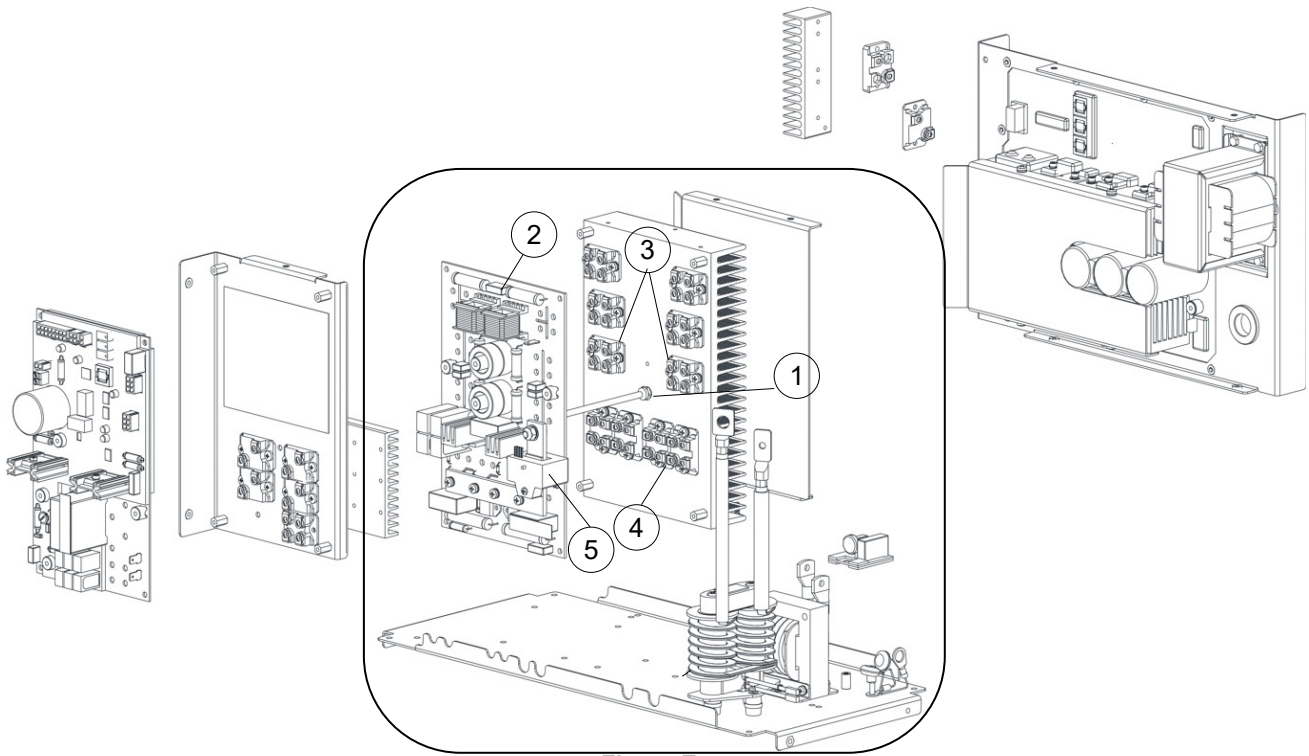


Figure E

Figure E: ASPECT® 200 Output Power Assembly

Item	Description	Part Number	QTY	1	2	3	4	5	6	7
1	THERMAL SENSOR 90°C	R-5141-062-1R	1	X						
2	OUTPUT POWER BOARD	W05X1603R	1	X						
3	DIODE UFAST 2x100A 600V ISOTOP	W4010060R	6	X						
4	IGBT 250A 600V SOT-227	W43I60225AR	4	X						
5	SENS. 200A-4V HALL EFFECT LEM HAS 200-S	W4900008R	1	X						

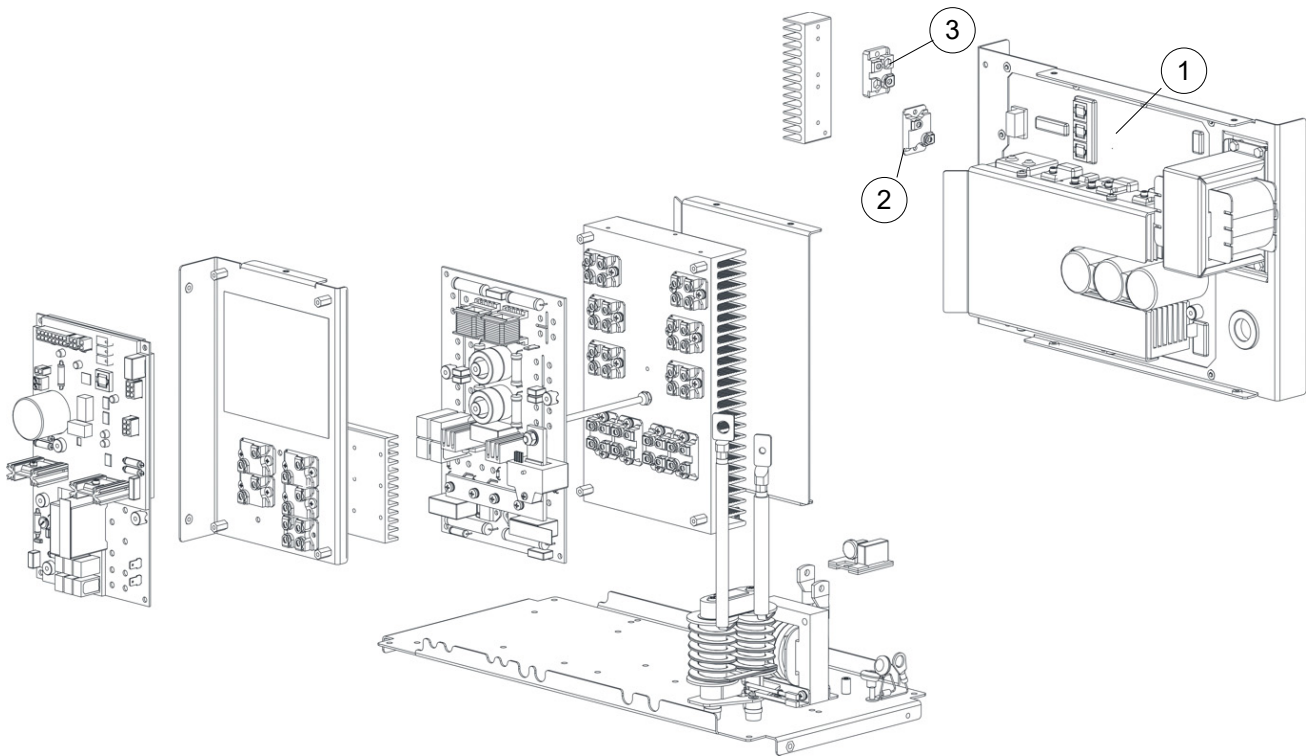


Figure F

Figure F: ASPECT® 200 Inverter/Boost Board Assembly

Item	Description	Part Number	QTY	1	2	3	4	5	6	7
1	INVERTER-BOOST BOARD	W05X1605R	1	X						
2	RESISTOR 100OHM 100W	W1810010R	1	X						
3	RES ISOTOP 3K3 100W	W1810233R	1	X						



