

MR5 & MR6

Compact Single Stage Regulators



Model MR5 Shown

MATERIALS

MR5 Body	Brass
MR6 Body	Stainless Steel
Bonnet	Black Anodized Aluminum
Diaphragm	316 Stainless Steel
Gauges	1.5"
MR5	Brass
MR6	Stainless Steel
Seat	Teflon
Seals	Teflon

These single stage diaphragm regulators have a compact design and a small internal volume of 2.6 cubic centimeters, which makes them ideal for use in portable calibration and analyzer applications. The low internal volume provides an ease of purging with minimal gas usage and reduces the potential of contaminants entering into the gas stream.

The MR5 is suitable for non-corrosive gas service, while the MR6 is can be used with mildly corrosive gases. Typical applications for these regulators are lecture bottle use, EPA protocol standards, low level VOC gases and high purity gases.

FEATURES

- Low internal volume of 2.6 cc allows for rapid purging in analytical instrumentation applications
- Lightweight and compact design allows for ease of transportation with small cylinders
- Stainless steel diaphragm minimizes diffusion of air into the regulator and eliminates "off gassing" associated with elastomeric diaphragms

Maximum Rated Inlet Pressure:
3000 psig

Designed Leak Rate:
Bubble-Tight (Helium)

Outlet Pressure Ranges:
0-30 and 0-100 PSIG

Body A:
Inlet/outlet 1/4" FNPT; gauge 1/8" FNPT

Ambient Operating Temperature:
-40° F to +140°F

Body B + C:
1/8" FNPT

MR5 & MR6 ORDERING INFORMATION

MR	-	X	XXX	-	XXX	-	X	-	XX
MODEL NO.	BODY STYLE	DELIVERY PRESSURE		CGA/INLET FITTING		ACCESSORIES	OPTIONS		
		DELIVERY	(OUTLET GAUGE)						
MR5 (Brass Body)	<p>A - 1/4" NPT In / Out</p>	0-30 psig	0- 60 psig	170	346	A) 1/4" Needle Valve B) 1/4" Diaphragm Valve C) Male NPT (1/8" or 1/4" see body style - MNPT)	1) He Leak Cert (Inboard) 2) He Leak Cert (Outboard) 3) No gauges		
		0-100 psig	0-150 psig	180	350				
				320	540				
MR6 (316L SS Body)	<p>B - 1/8" NPT Ports</p>			330	580	D) NPT Port Female (1/8" or 1/4" see body style - FNPT) E) 1/4" Tube Fitting F) 1/8" Tube Fitting G) 1/4" Hose Barb H) 1/8" Hose Barb			
				346	590				
				346			000 (1/8" or 1/4" see body style - FNPT)		
				001 (MNPT) 1/8" or 1/4"					
	<p>C - 1/8" NPT Ports</p>			002 (1/4" Tube Fitting)					
			003 (1/8" Tube Fitting)						
				004 (1/4" Brass)					

MR5 & MR6 TECHNICAL SPECIFICATIONS

SPECIFICATIONS

MR5

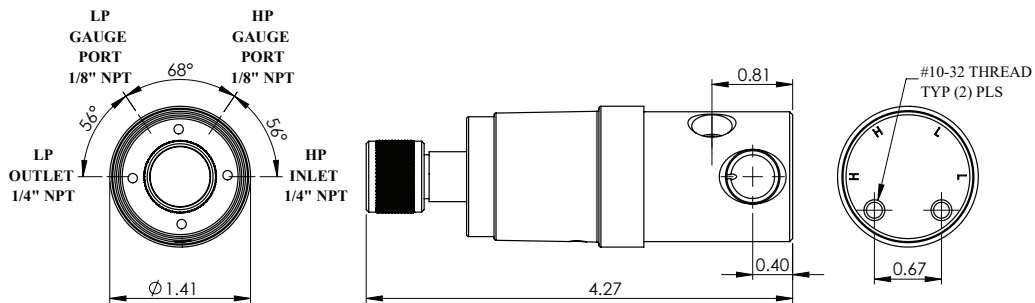
- C_v : 0.08
- Pressure Regulation: 2.0 PSI per 100 PSI
- Weight: 1.0 lbs..

MR6

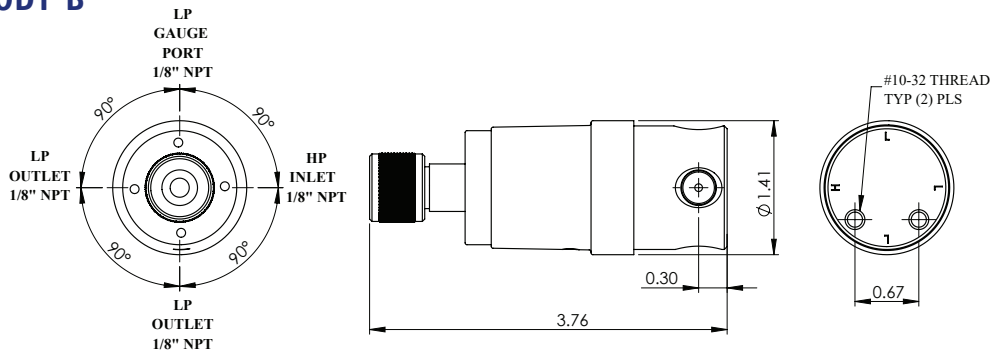
- C_v : 0.08
- Pressure Regulation: 2.0 PSI per 100 PSI
- Weight: 1.0 lbs.

DIMENSIONS

BODY A



BODY B



BODY C

