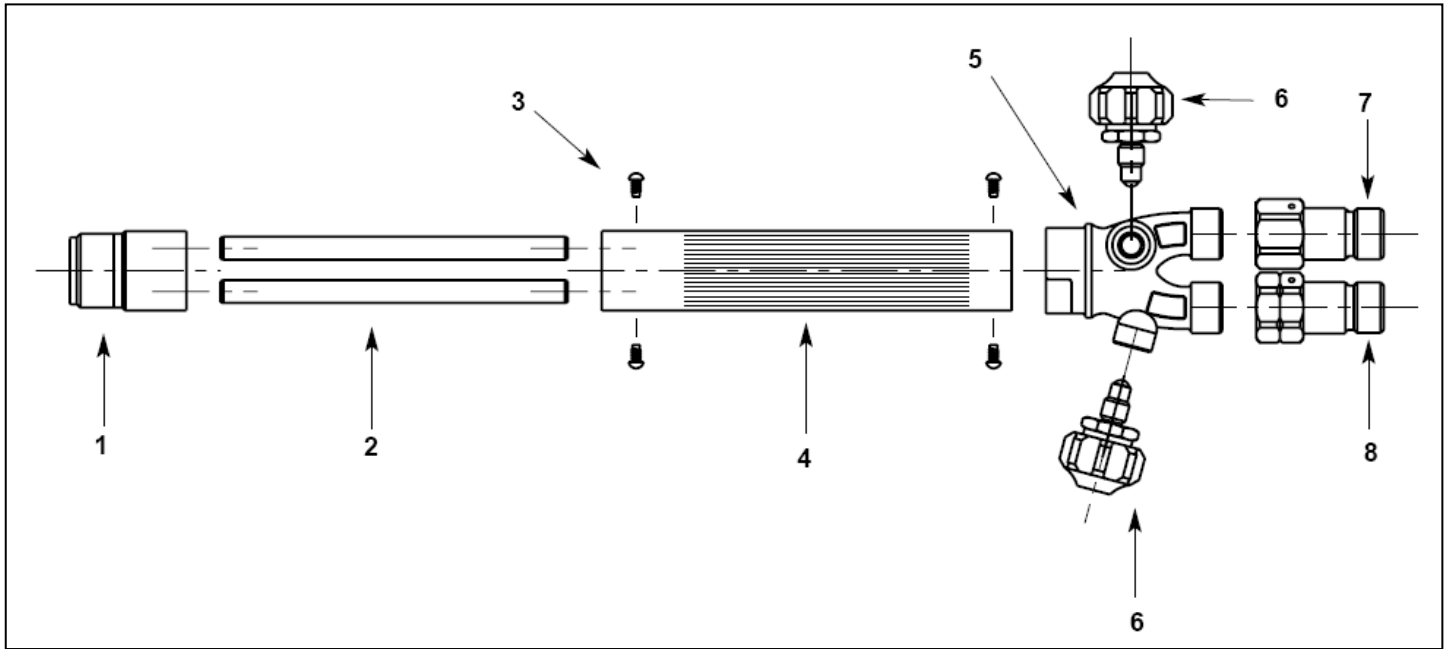


M21100, 83-052, 334-506-400, 1400324

Star-Jet



| Item | Part Number | Description | Welding Tips | Description |
|------|-------------------|---------------|-------------------------|----------------|
| 1 | 9003662 (8509) | Block | 1601690 (M21400) | #0 Welding Tip |
| 2 | 8801408 (1392-A) | Tubes (2) | 1601700 (M21401) | #1 Welding Tip |
| 3 | 9000392 (1361) | Screw (4) | 1601710 (M21402) | #2 Welding Tip |
| 4 | 9003671 (8543-B) | Handle Casing | 1601730 (M21403) | #3 Welding Tip |
| 5 | 9000410 (1388-C) | Tail | 1601740 (M21404) | #4 Welding Tip |
| 6 | 9100062 (A-13-A) | Valve assy. | 1601760 (M21405) | #5 Welding Tip |
| 7 | 4301062 (88-3FGR) | Check Valve | 1601780 (M21406) | #6 Welding Tip |
| 8 | 4301061 (88-3FGL) | Check Valve | 1601800 (M21407) | #7 Welding Tip |

- The cutting torch for this handle is M21112 (83-115, 334-507-400, 1300325)
 - The cutting torch uses 62-90 series tips
- The Mixer is M21115 (9100490)
 - Welding tips are M21400 through M21407
- The Rosebud heating tip used is M21417 (334-537-400, J-16-1, 1800102)
- This was included in Welding Kit # M21012

All part numbers listed are Harris numbers (1-800-241-0804).

12-11-07