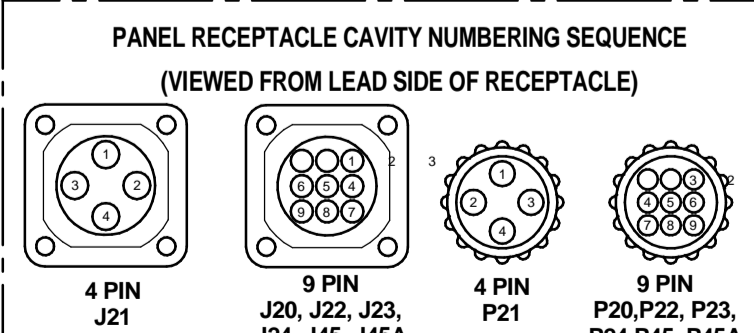
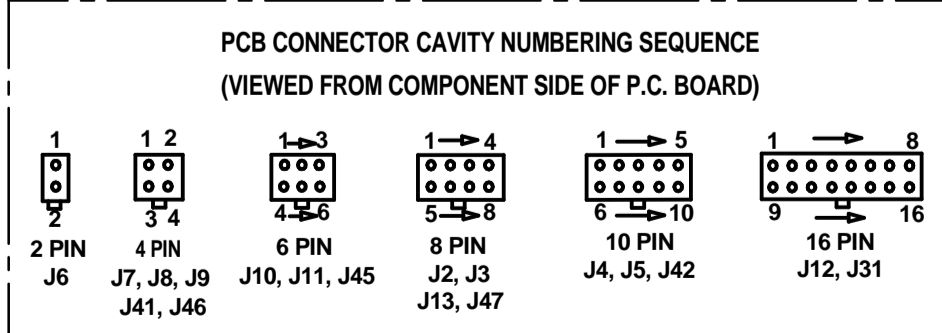
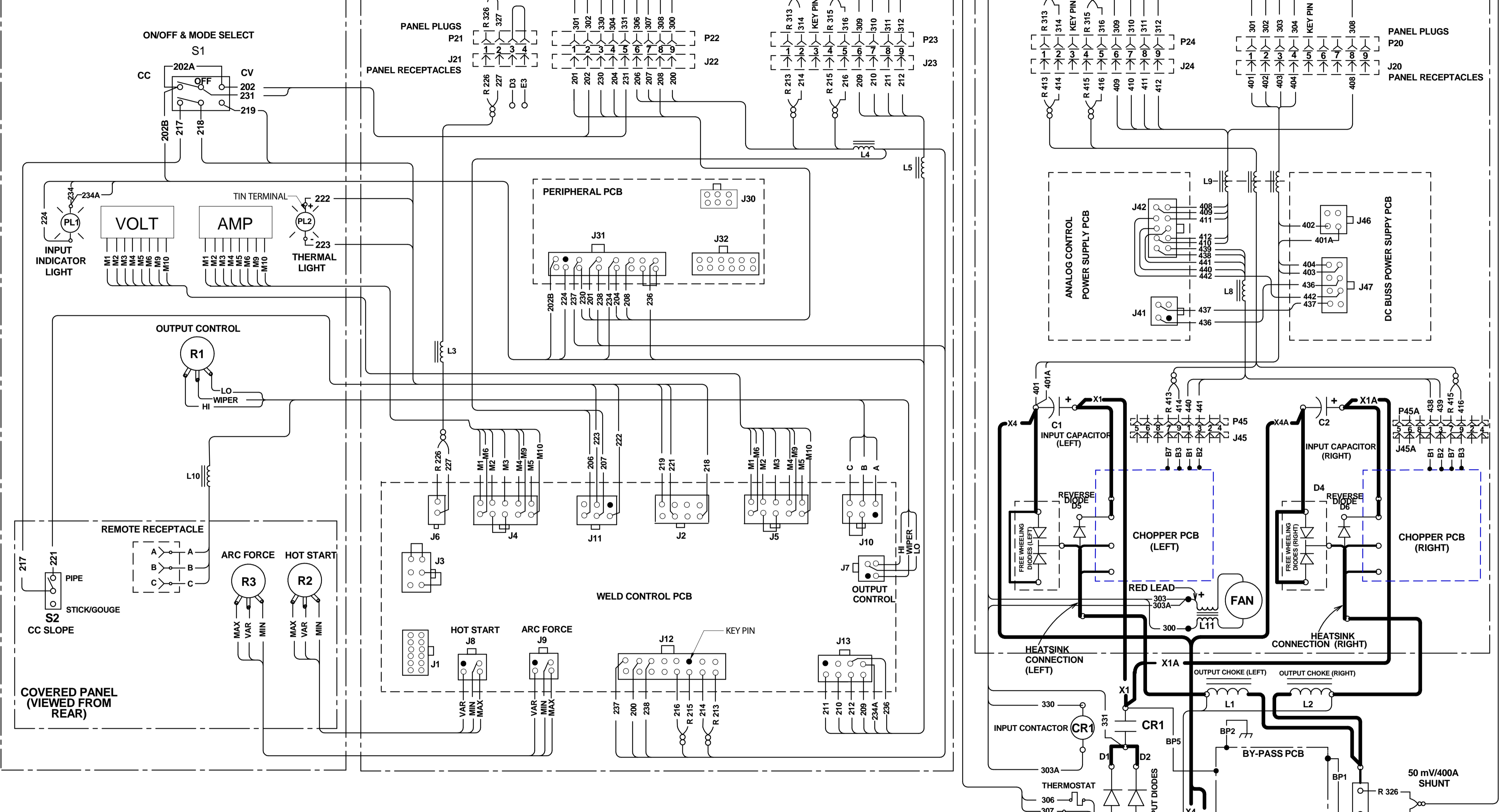


RED-D-ARC MX350 WIRING DIAGRAM G3943 REV: B

CONTROL BOX FRONT PANEL
(VIEWED FROM REAR)

CONTROL BOX BACK PANEL
(VIEWED FROM PCB SIDE)

TUNNEL ASSEMBLY
(VIEWED FROM PCB SIDE)



L3 THROUGH L11: RF CHOKES
R1: 10K, MULTI-TURN
R2, R3: 10K, ONE TURN

NOTES:
N.B. R-XXX DENOTES A RED LEAD NUMBERED XXX

GENERAL INFORMATION
ELECTRICAL SYMBOLS PER E1537
RESISTORS = OHMS/WATT UNLESS OTHERWISE SPECIFIED
ALL SWITCH WIRING VIEWED FROM REAR OF SWITCH
NOTE: SINCE COMPONENTS OR CIRCUITRY OF A PRINTED CIRCUIT BOARD MAY CHANGE WITHOUT AFFECTING THE INTERCHANGEABILITY OF A COMPLETE BOARD, THIS DIAGRAM MAY NOT SHOW THE EXACT COMPONENTS OR CIRCUITRY OF CONTROLS HAVING A COMMON CODE NUMBER.



CLEVELAND, OHIO U.S.A.