

AS DX7 WIRE FEEDING ACCESSORIES GUIDE

EDITION : EN
REVISION : M
DATE : 02-2019

Instructions for use

REF. : **8695 5242**

Original instructions

Thank you very much for the trust you have shown by choosing this piece of equipment. It will give you trouble-free service if it is used and maintained as recommended.

Its design, component specifications and manufacturing are in accordance with applicable European directives.

Please refer to the CE declaration enclosed to identify the directives applicable to it.

The manufacturer shall not be liable for any combination of parts not recommended by it.

For your safety, please follow the non-limitative list of recommendations and obligations, a large part of which are included in the Labour Code.

Please inform your supplier if you find any error in this instruction manual.

CONTENTS

SINGLE-WIRE ASSEMBLY - STANDARD DUTY (SD).....6
TWIN -WIRE ASSEMBLY - STANDARD DUTY (SD).....8
SINGLE-WIRE ASSEMBLY - HEAVY DUTY (HD)10
TWIN-WIRE ASSEMBLY - HEAVY DUTY (HD)12
PERSONAL NOTES14

REVISIONS

REVISION B 10/05

DESIGNATION	PAGE
Reference change W000315701	5-9

REVISION C 05/06

DESIGNATION	PAGE
To change logos	-

REVISION D 11/08

DESIGNATION	PAGE
Complete update + spareparts newoffer	-

REVISION E 11/13

DESIGNATION	PAGE
Feed accessories update	All

REVISION F 07/14

DESIGNATION	PAGE
Addition of accessories for the internal head	4-5

REVISION G 01/15

DESIGNATION	PAGE
Addition of accessories for the internal head 1100mm Spare parts	4-5

REVISION H 04/15

DESIGNATION	PAGE
Feed accessories update	All

REVISION I 06/15

DESIGNATION	PAGE
Reference change « D23 »	5 ; 7

REVISION J 01/16

DESIGNATION	PAGE
Update	

REVISION K 11/17

DESIGNATION	PAGE
Update	5 ; 7 ; 11

REVISION L

09/18

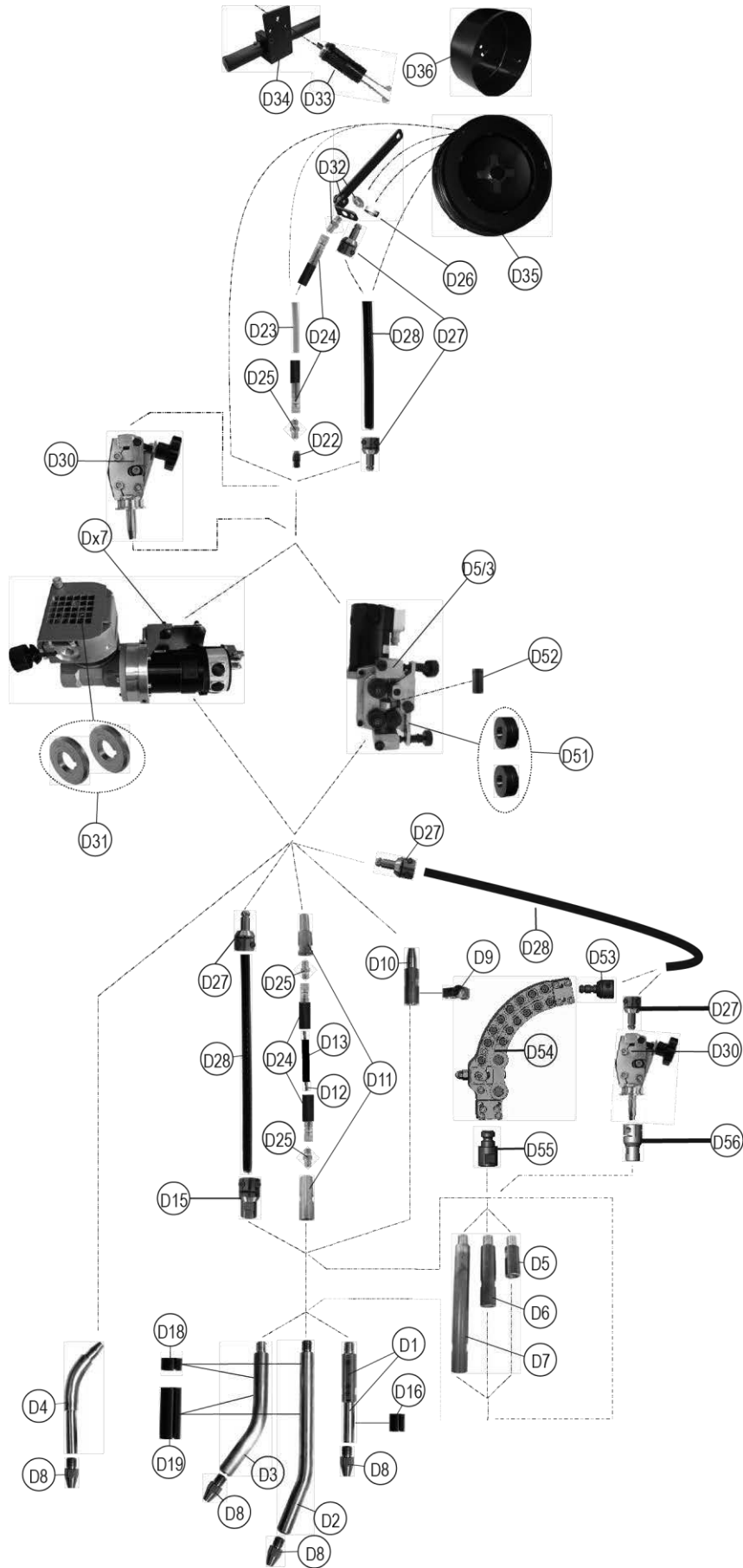
DESIGNATION	PAGE
To change logos	

REVISION M

02/19

DESIGNATION	PAGE
Update	6-7-8-9


SINGLE-WIRE ASSEMBLY - STANDARD DUTY (SD)



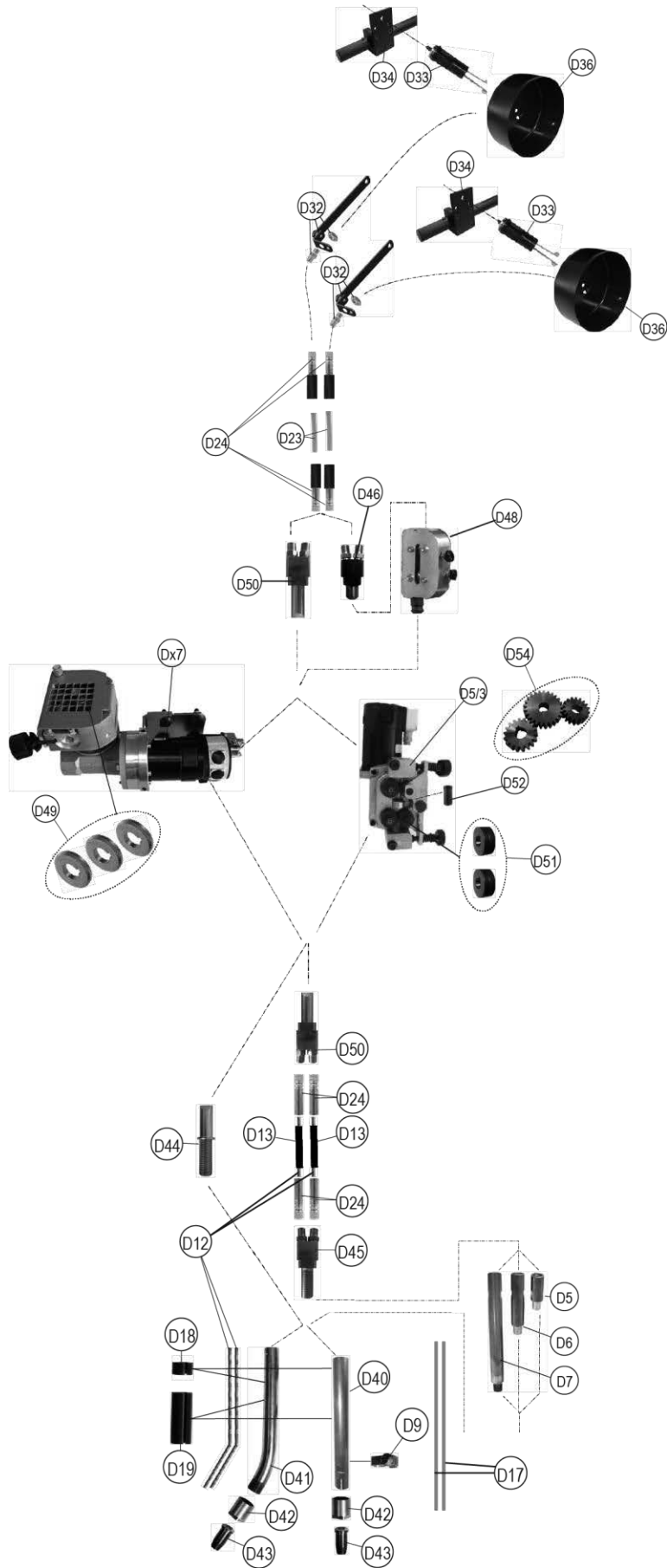
✓	normally in stock
X	not in stock
	on request

Item	Ref.	Stock	Order	Designation
DX7 SUBARC 5 → 4,2m/min				
Dx7	W000315118	✓		DX7 SUBARC 5 slow feed
DX7 SUBARC 5 → 15m/min				
Dx7	W000315119	✓		DX7 SUBARC 5 fast feed
DX7 3A → 10m/min				
Dx7	W000373837	X		DX7 3A slow feed
DX7i Inverter → 8m/min				
Dx7	W000383785	✓		DX7i Inverter slow feed
DX7i Inverter → 28m/min				
Dx7	W000383786	✓		DX7i Inverter fast feed
DX5/3 SUBARC 2				
D5/3	W000315106	✓		D5/3 SUBARC 2 slow feed
D1	W000234779	✓		Wire lead-in with shoe
D2	W000234780	✓		Subarc 22° curved single-wire feed
D3	W000234781	✓		Subarc 35° curved single-wire feed
D4	W000234782	✓		Subarc 45° curved single-wire feed
D5	W000234774	✓		50-mm long straight extension
D6	W000234775	✓		100-mm long straight extension
D7	W000234776	✓		200-mm long straight extension
D8	W000315848	✓		1.6-mm diameter AS single wire nozzle
	W000315849	✓		2.0-mm diameter AS single wire nozzle
	W000315850	✓		2.4-mm diameter AS single wire nozzle
	W000315851	✓		3.2-mm diameter AS single wire nozzle
	W000315852	✓		4.0-mm diameter AS single wire nozzle
	W000315853	✓		5.0-mm diameter AS single wire nozzle
D9	W000234770	✓		Current supply
D10	W000234773	✓		Plate outlet wire guide
D11	W000234777	✓		1.2 - 2.4-mm wire sheath connection set
	W000374666	✓		1.2-1.6 mm (10-m long) spring sheath
D12	W000374666	✓		2.0-2.4 mm (10-m long) spring sheath
	W000401805	✓		Black sheath "Polypenco"
D13	W000401805	✓		Black sheath "Polypenco"
D15	W000379483	✓		>1,6 mm wire sheath connection set
D16	W000139805	✓		Insulating rings, Ø19, 28-mm wide
D18	W000315844	✓		Insulating rings, ø25, 20-mm wide
D19	W000352240	✓		Insulating ring, Ø25, 80-mm wide
D22	S91110403	✓		Wire inlet guide
D23	W000373395	✓		Yellow sheath - linear m
D24	W000145285	✓		Rotating connection
D25	Z03710051	✓		M12x100 nipple
D26	W000379507	✓		Locking ring
D27	W000379485	✓		Sheath connector set (>1,6mm)
D28	W000382072	✓		>1,6mm wire sheath
D30	W000234767	✓		Subarc wire straightener
D31	W000315686	✓		Set of 2 smooth rollers for Ø 1.6 - Ø 2.4 wire
	W000315687	✓		Set of 2 smooth rollers for Ø 3.2 - Ø 5.0 wire
	S9109 6175	✓		Set of 2 gripped rollers for Ø 1.6 - Ø 2.4 wire
	S9109 6176	✓		Set of 2 gripped rollers for Ø 3.2 - Ø 5.0 wire
D32	W000315701	✓		Sheath fastening support
D33	W000149164	✓		Wire feeder spool shaft
D34	W000139679	✓		Wire spool shaft support
D35	W000315086	✓		AS wire reel holder
D36	W000100148	✓		Ø 300 spool guard
D51	W000305225	✓		Set of 2 single-wire rollers, 1.6 mm
	W000315828	X		Set of 2 single-wire rollers, 2.0 mm
	W000315829	✓		Set of 2 single-wire rollers, 2.4 mm
	W000315830	✓		Set of 2 single-wire rollers, 3.2 mm
	W000315831	X		Set of 2 single-wire rollers, 4.0 mm
	W000315835	✓		Set of 2 single-wire rollers, 5.0 mm
D52	W000315846	✓		1 x 1.6 mm internal guide
	W000315847	✓		1 x 4.0 mm internal guide
D53	W000381680	✓		Set of sleeve fittings for feed with bend
D54	W000381679	✓		Roller type feed with bend
D55	W000381681	✓		Wire feed fitting for feed with bend
D56	W000382613	X		Wire feed fitting

➤ For parts order, give the quantity required and put the number of your machine in the box below.

	TYPE :
	Number :

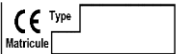
TWIN -WIRE ASSEMBLY - STANDARD DUTY (SD)



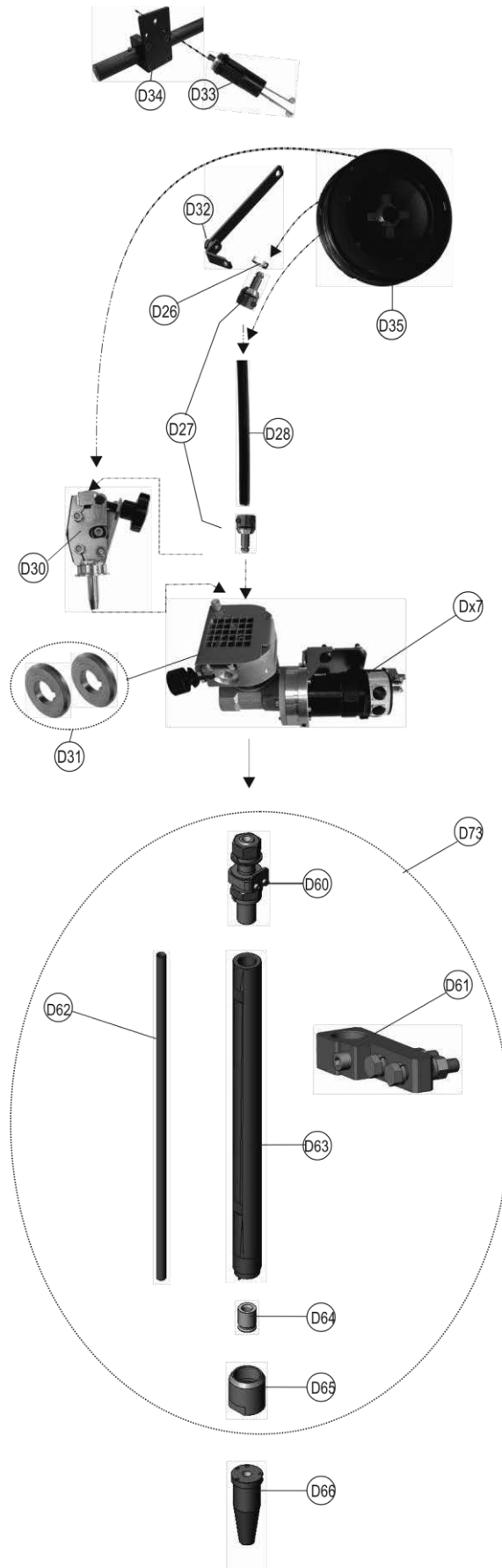
✓	normally in stock
✗	not in stock
	on request

Item	Ref.	Stock	Order	Designation
				DX7 SUBARC 5 → 15m/min
Dx7	W000315119	✓		DX7 SUBARC 5 fast feed
				DX7 SUBARC 3A → 20m/min
Dx7	W000373838	✗		DX7 3A fast feed
				DX7i Inverter → 28m/min
Dx7	W000383786	✓		DX7i Inverter fast feed
				DX5/3 SUBARC 2
D5/3	W000315106	✓		D5/3 SUBARC 2 slow feed
D54	W000315081	✓		Optional fast feed for D5/3
D5	W000234774	✓		50-mm long straight extension
D6	W000234775	✓		100-mm long straight extension
D7	W000234776	✓		200-mm long straight extension
D9	W000234770	✓		Current supply
D12	W000374666	✓		1.2-1.6 mm (10-m long) spring sheath
D13	W000401805	✓		Black sheath "Polypenco"
D17	W000373840	✓		2 wire guide tubes d=1.2 mm to d= 1.6 mm l=500 mm
D18	W000315844	✓		Two insulating rings, Ø25, 20-mm wide
D19	W000352240	✓		Insulating ring, Ø25, 80-mm wide
D23	W000373395	✓		Yellow sheath - linear m
D24	W000145285	✓		Rotating connection
D32	W000315701	✓		Sheath fastening support
D33	W000149164	✓		Wire feeder spool shaft
D34	W000139679	✓		Wire spool shaft support
D36	W000100148	✓		Ø 300 spool guard
D40	W000379491	✓		Straight twin-wire lead in
D41	W000379493	✓		Subarc 35° bent twin-wire lead in
D42	W000373866	✓		Tightening ring
D43	W000315839	✓		Wire nozzle, 2x1.2 mm
	W000315840	✓		Wire nozzle, 2x1.6 mm
D44	W000379488	✓		1.2 - 1.6 mm direct twin-wire outlet end
D45	W000379490	✓		Twin-wire outlet end
D46	W000234896	✓		Twin-wire inlet end piece
D48	W000234768	✓		DX7 twin-wire straightener
D49	W000234765	✓		Set of 3 gripped twin-wire rollers for 1.2 / 2.4 mm
	S91095156	✓		Set of 3 smooth two-wire rollers, 1.2 mm
	S91095157	✓		Set of 3 smooth two-wire rollers, 1.6/2.4 mm
D50	W000379487	✓		DX7 two-wire entry end piece
D51	W000315832	✓		Set of 2 two-wire rollers, 1.2 mm
	W000315833	✓		Set of 2 two-wire rollers, 1.6 mm
D52	W000315845	✓		2 x 1.6 mm internal guide

➤ For parts order, give the quantity required and put the number of your machine in the box below.

	TYPE :
	Number :


SINGLE-WIRE ASSEMBLY - HEAVY DUTY (HD)



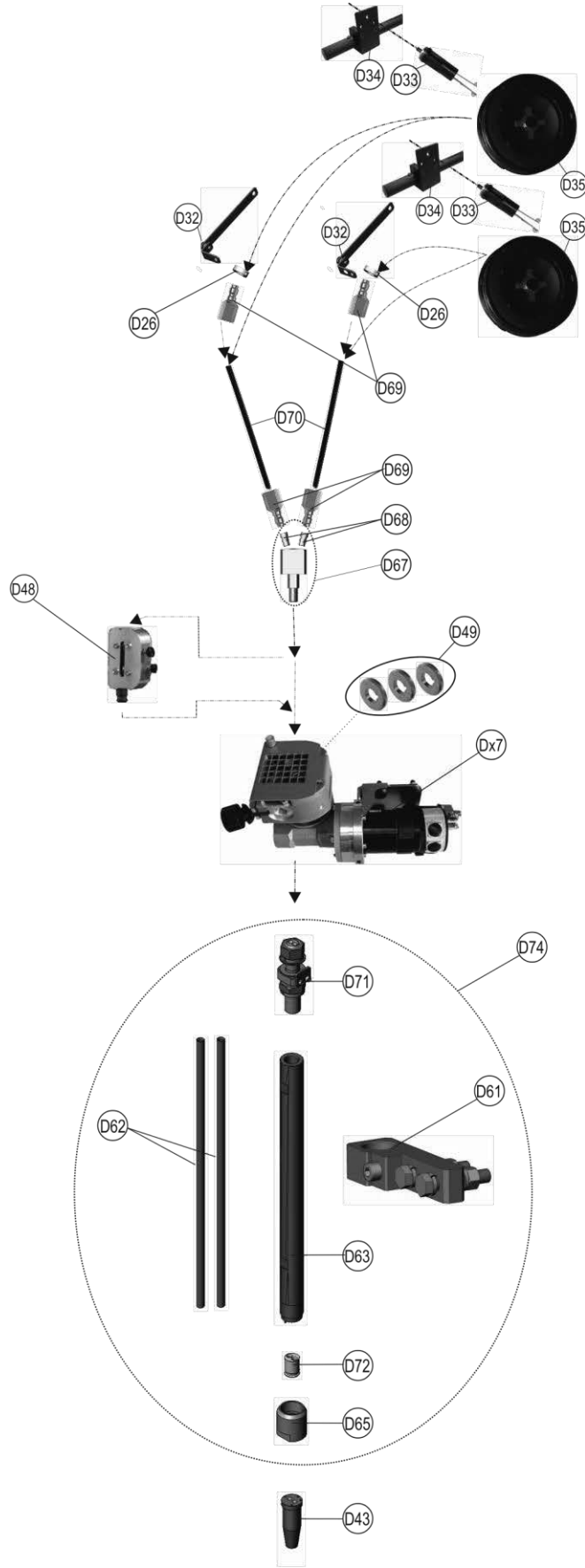
✓	normally in stock
✗	not in stock
	on request

Item	Ref.	Stock	Order	Designation
				DX7 SUBARC 5 → 4,2m/min
Dx7	W000315118	✓		DX7 SUBARC 5 slow feed
				DX7 SUBARC 5 → 15m/min
Dx7	W000315119	✓		DX7 SUBARC 5 fast feed
				DX7 3A → 10m/min
Dx7	W000373837	✗		DX7 3A slow feed
				DX7i Inverter → 8m/min
Dx7	W000383785	✓		DX7i Inverter slow feed
D26	W000379507	✓		Locking ring
D27	W000379485	✓		End piece for sheath
D28	W000382072	✓		4.0-5.0 mm wire sheath
D30	W000234767	✓		Subarc wire straightener
D31	W000315686	✓		Set of 2 smooth rollers for Ø 1.6 - Ø 2.4 wire
	W000315687	✓		Set of 2 smooth rollers for 3.2 to 5 mm wire
	S9109 6175	✓		Set of 2 notched rollers for 1.6 to 2.4 mm wire
	S9109 6176	✓		Set of 2 notched rollers for 3.2 to 5 mm wire
D32	W000315701	✓		Sheath fastening support
D33	W000149164	✓		Wire feeder spool shaft
D34	W000139679	✓		Wire spool shaft support
D35	W000315086	✓		AS wire reel holder
D60	W000379767	✗		DX7 single-wire sheath, 2.4mm
	W000379768	✗		DX7 single-wire sheath, 3.2 to 5 mm
D61	W000379770	✗		Current supply ring
D62	W000379499	✓		Wire conduit tube, 2.4 mm
	W000379498	✓		Wire conduit tube, 3.2 to 5 mm
D63	W000379771	✗		Straight torch body
D64	W000379501	✓		Single-wire insulating ring, 2.4 mm
	W000379500	✓		Single-wire insulating ring, 3.2 to 5 mm
D65	W000377235	✓		HD nozzle tightening nut
D66	W000377231	✓		HD 2.4 mm single-wire nozzle
	W000377232	✓		HD 3.2 mm single-wire nozzle
	W000377233	✓		HD 4.0 mm single-wire nozzle
	W000377234	✓		HD 5.0 mm single-wire nozzle
D73	W000379496	✓		HD 2.4 single-wire torch base
	W000379495	✓		HD 3.2 to 5 single-wire torch base

➤ For parts order, give the quantity required and put the number of your machine in the box below.

	TYPE :
	Number :

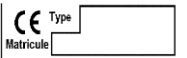
TWIN-WIRE ASSEMBLY - HEAVY DUTY (HD)



✓	normally in stock
✗	not in stock
	on request

Item	Ref.	Stock	Order	Designation
DX7 SUBARC 5 → 4,2m/min				
Dx7	W000315118	✓		DX7 SUBARC 5 slow feed
DX7 SUBARC 5 → 15m/min				
Dx7	W000315119	✓		DX7 SUBARC 5 fast feed
DX7 3A → 10m/min				
Dx7	W000373837	✗		DX7 3A slow feed
DX7i Inverter → 8m/min				
Dx7	W000383785	✓		DX7i Inverter slow feed
D26	W000379507	✓		Locking ring
D32	W000315701	✓		Sheath fastening support
D33	W000149164	✓		Wire feeder spool shaft
D34	W000139679	✓		Wire spool shaft support
D35	W000315086	✓		AS wire reel holder
D43	W000377229	✓		HD 2.0 mm two-wire nozzle
	W000377230	✓		HD 2.4 mm two-wire nozzle
D48	W000234768	✓		DX7 twin-wire straightener
D49	W000234765	✓		Set of 3 gripped twin-wire rollers for 1.2 / 2.4 mm
	S91095156	✓		Set of 3 smooth twin-wire rollers, 1.2 mm
	S91095157	✓		Set of 3 smooth twin-wire rollers, 1.6/2.4 mm
D61	W000379770	✗		Current supply ring
D62	W000379499	✓		Wire conduit tube, 2.0 to 2.4 mm
D63	W000379771	✗		Straight torch body
D65	W000377235	✓		HD nozzle tightening nut
D67	W000379506	✓		EB two-wire entry end piece + EB female connector
D68	W000379504	✓		EB female connector
D69	W000379503	✓		EB male connector for sheath
D70	W000379505	✓		EB sheath
D71	W000379769	✗		DX7 two-wire sheath, 2.0 to 2.4 mm
D72	W000379502	✓		Two-wire insulating ring, 2.0 to 2.4 mm
D74	W000379497	✓		HD 2.0 to 2.4 two-wire torch base

➤ For parts order, give the quantity required and put the number of your machine in the box below.

	TYPE :
	Number :

