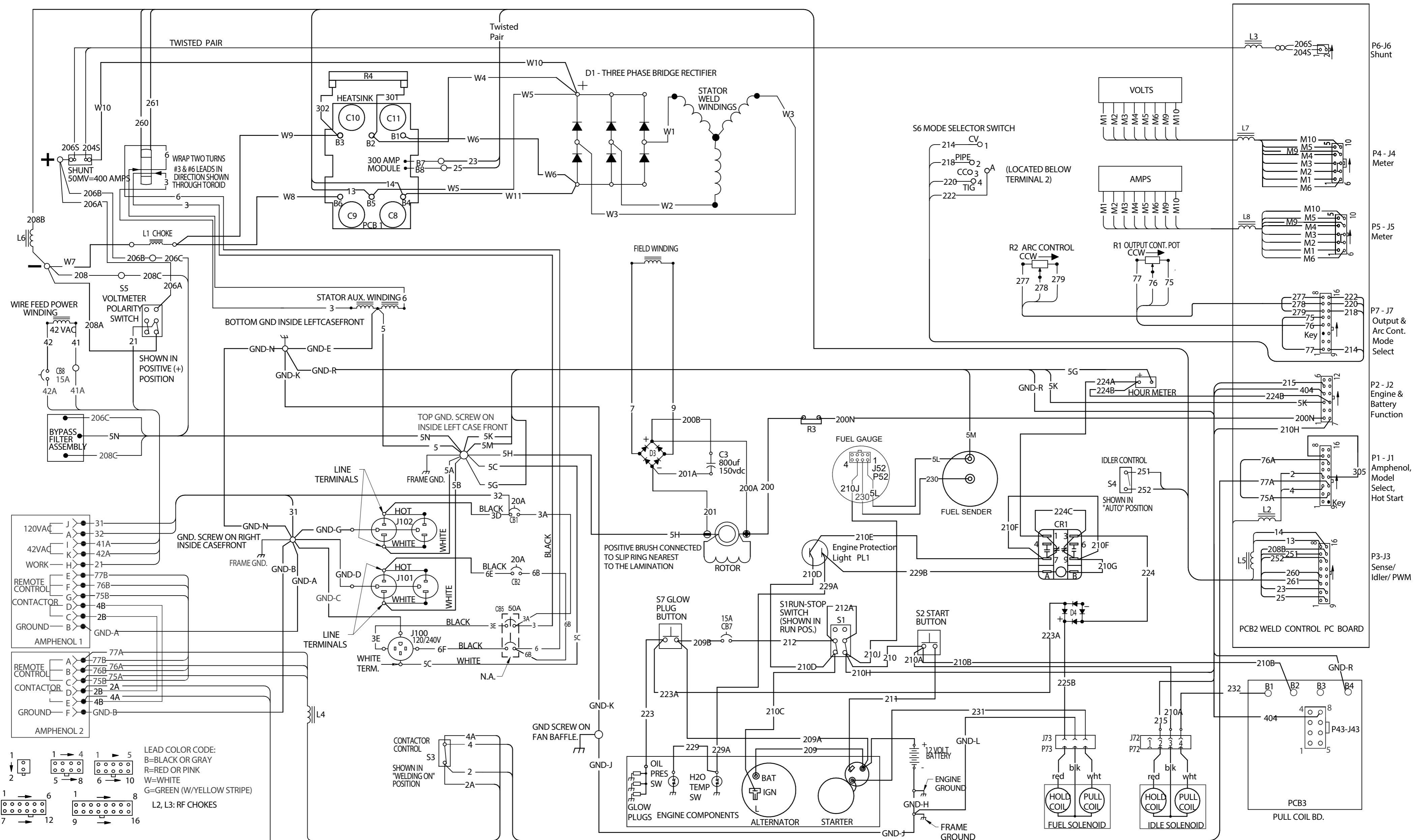


RANGER 305D KUBOTA WIRING DIAGRAM G4571-1 REV: B



CONNECTORS VIEWED FROM INSERTION END
 ALL CASE FRONT COMPONENTS SHOWN VIEWED FROM REAR.
 N.A. ON MACHINE CODES BELOW 11275, CB5 WAS TWO POLE BREAKERS IDENTIFIED AS CB5 & CB6.