

# TOMAHAWK®30K & 45

---

Spare Parts.....	1
Figure A: Machine Assembly .....	2
Figure B: Inside Machine Assembly.....	4
Figure C: Front Assembly.....	5
Miscellaneous Items (not shown in figure A, B, C).....	5
Electrical Schematic.....	6
CODE: 50714 .....	6
CODE: 50715 .....	7



# Spare Parts

SP50714, SP50715 REV03  
07/2024

ASSEMBLY PAGE NAME			Machine Assembly	Machine Assembly	Machine Assembly	Miscellaneous Items		
CODE NO.:	K NO.:	FIGURE NO.:	A	B	C	-		
50714	K12038-3	TOMAHAWK®30K	1	1	1	1		
50715	K14391-1	TOMAHAWK®45	2	2	2	2		

\*items highlighted in bold are recommended spare parts.

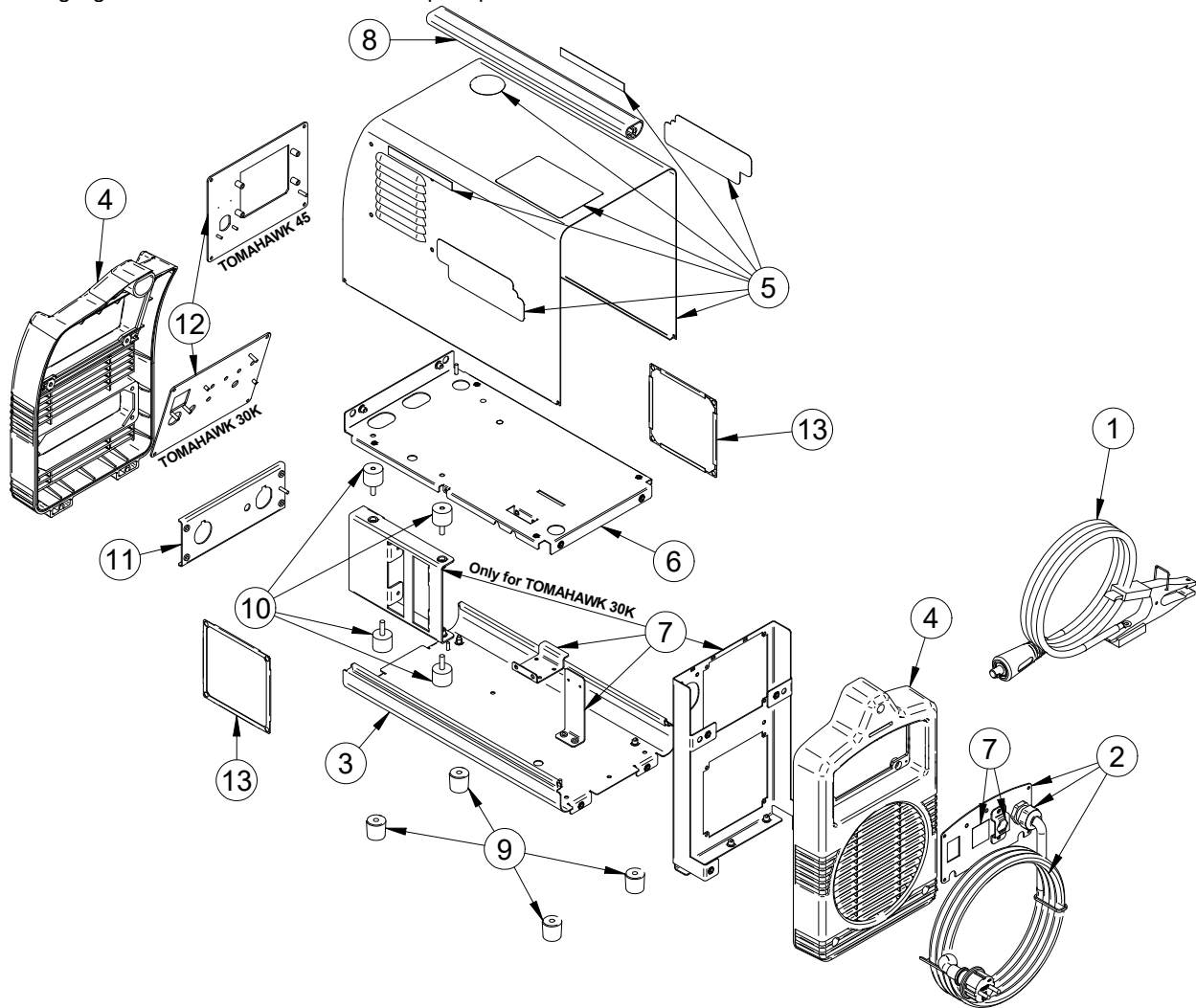


Figure A

**Figure A: Machine Assembly**

Item	Description	Part Number	QTY	1	2	3	4	5	6	7
1	GROUND CABLE-3M-4	R-5041-674-1R	1	X	X					
2	MAIN INPUT CORD	R-8040-535-1R	1	X	X					
3	BASE ASSEMBLY	R-3019-735-1R	1	X	X					
4	FRONT AND REAR PANEL KIT	T-8040-192-1R	1	X	X					
5	COVER KIT:	T-8040-229-1R	1	X						
	TOMAHAWK LABEL		2							
	LABEL		1							
	LINCOLN ELECTRIC LABEL		2							
	TORCH LABEL		1							
	COVER		1							
5	COVER KIT	T-8040-229-2R	1		X					
	TOMAHAWK LABEL		2							
	LABEL		1							
	LINCOLN ELECTRIC LABEL		2							
	TORCH LABEL		1							
	COVER		1							
6	SHELF	S33578-3-1	1	X	X					
7	BRACKET AND REAR PANEL KIT	T-8040-230-1R	1	X						
	ANTI-ROTATION BRACKET		1							
	AIR CONNECTION LABEL		1							
	BRACKET		1							
	BRACKET		1							
	BRACKET		1							
	BRACKET		1							
7	BRACKET AND REAR PANEL KIT:	T-8040-230-2R	1		X					
	ANTI-ROTATION BRACKET		1							
	AIR CONNECTION LABEL		1							
	BRACKET		1							
	BRACKET		1							
	BRACKET		1							
8	HANDLE V270	W92X0228-2R	1	X	X					
9	RUBBER PIN	W8400045R	4	X	X					
10	SILENT BLOCK PC208,210,TH375	W8400046R	1	X	X					
11	FRONT SERVICE PANEL ASSEMBLY	S33578-3-4	1	X						
	FRONT SERVICE PANEL	R-3019-747-1R	1		X					
12	FRONT PANEL	S33578-1-26	1	X						
12	FRONT PANEL	S33579-1-25	1		X					
13	GRID	S33578-3-2	2	X	X					

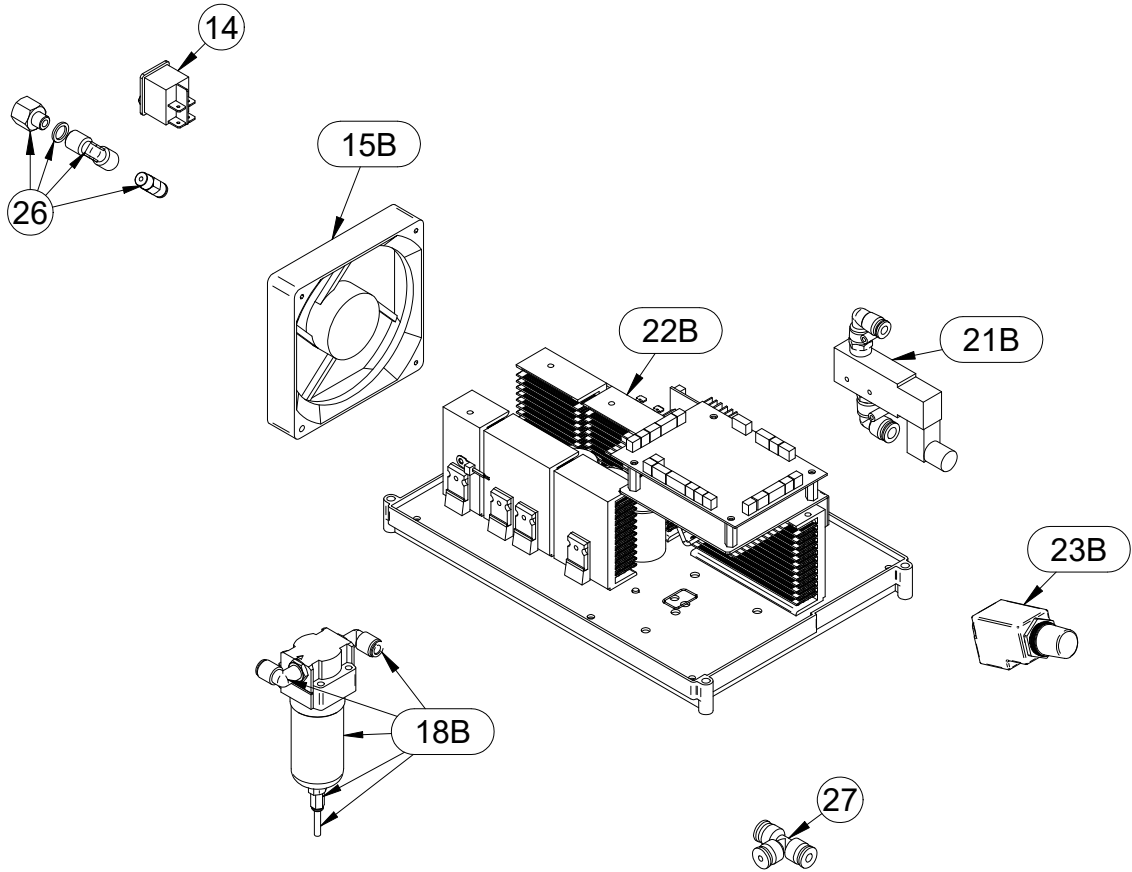
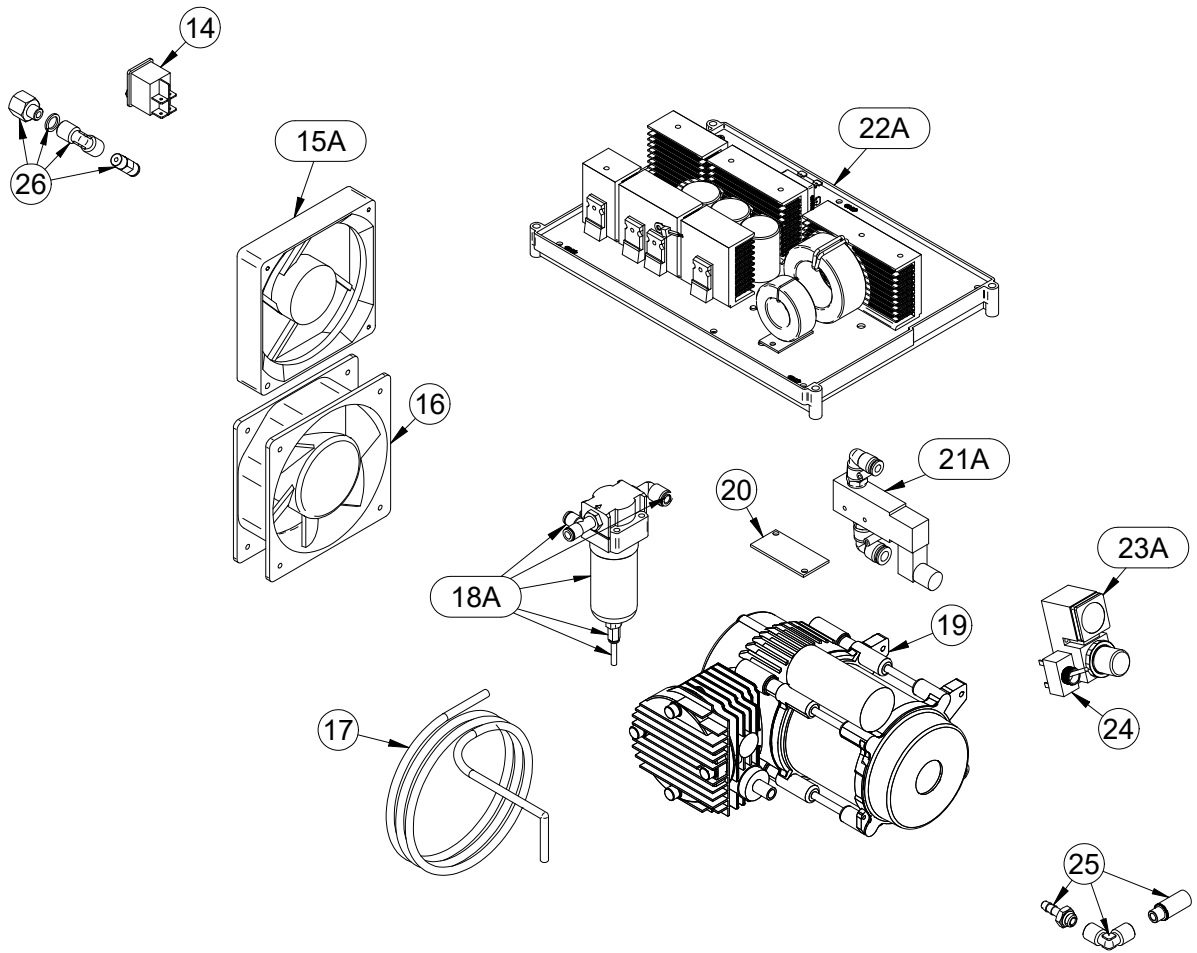


Figure B

**Figure B: Inside Machine Assembly**

Item	Description	Part Number	QTY	1	2	3	4	5	6	7
14	MAIN SWITCH	S33578-1-17	1	X	X					
<b>15A</b>	<b>FAN DC 24V</b>	<b>S33578-1-12</b>	<b>1</b>	<b>X</b>						
<b>15B</b>	<b>FAN DC 24V</b>	<b>S33579-1-12</b>	<b>1</b>		<b>X</b>					
<b>16</b>	<b>FAN DP200A2123XST 230V</b>	<b>0873-100-093R</b>	<b>1</b>	<b>X</b>						
17	COOLING COPPER SPIRAL	W88X1015R	1	X						
18A	AIR FILTER	T-8040-225-1R	1	X						
	AIR FILTER 1/4		1							
	CONNECTION ELBOW 1/4		1							
	T-CONNECTION 1/4 QUICK 6		1							
	STRAIGHT CONNECTION M5		1							
	PU TUBE OUTSIDE DIAM 4MM		1							
18B	AIR FILTER	T-8040-225-2R	1		X					
	AIR FILTER 1/4		1							
	CONNECTION ELBOW 1/4		2							
	STRAIGHT CONNECTION M5		1							
	PU TUBE OUTSIDE DIAM 4MM		1							
19	COMPRESSOR	R-8040-520-2R	1	X						
20	COMPRESSOR PCB	S33578-1-11	1	X						
21A	ELECTRO VALVE	S33578-1-20	1	X						
21B	ELECTRO VALVE	S33579-1-20	1		X					
<b>22A</b>	<b>POWER PCB</b>	<b>S33578-4-2</b>	<b>1</b>	<b>X</b>						
<b>22B</b>	<b>POWER PCB</b>	<b>S33579-4-2</b>	<b>1</b>		<b>X</b>					
23A	GAUGE TH375,625,1000	W8800203R	1	X						
23B	PRESSURE GAUGE	S33579-1-23	1		X					
24	SWITCH	S33578-1-35	1	X						
25	AIR FRONT CONNECTION KIT	T-8040-226-1R	1	X						
	FILTER AIR INLET		1							
	ELBOW 1/8F - 1/8F 90GR.		1							
	HOSE CIL. 1/8 M.		1							
26	AIR REAR CONNECTION KIT	T-8040-226-3R	1	X	X					
	QUICK COUPLING AIR USA		1							
	SEAL 1/8 ALLUMINIUM		1							
	ELBOW 1/8F - 1/8F 90GR.		1							
	CHECK VALVE		1							
27	TEE	S33579-3-2	1		X					

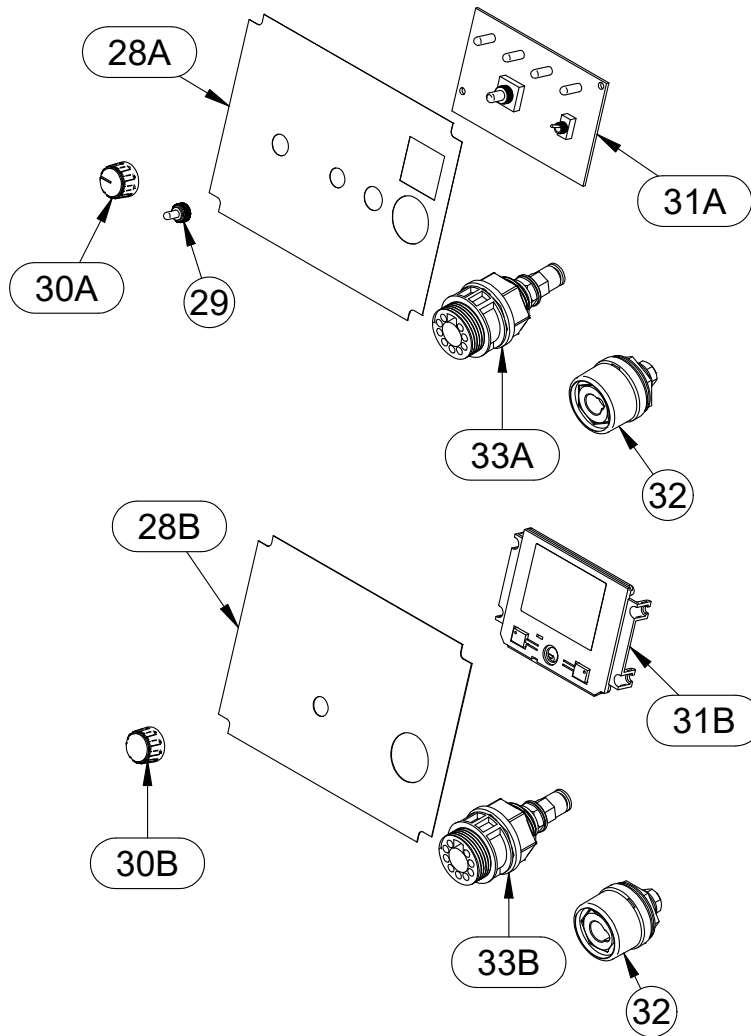


Figure C

Figure C: Front Assembly

Item	Description	Part Number	QTY	1	2	3	4	5	6	7
28A	FRONT PANEL DECAL	R-0000-373-1R	1	X						
28B	FRONT PANEL DECAL	R-0000-373-2R	1		X					
29	COVER	S33578-1-24	1	X						
30A	KNOB	S33578-1-25	1	X						
30B	KNOB	S33579-1-24	1		X					
31A	FRONT PANEL UI	<b>S33578-4-1</b>	1	X						
31B	LCD SCREEN	<b>S33579-4-1</b>	1		X					
32	SOCKET X2, X3, X4	90000595PR	1	X						
33A	TORCH CONNECTION	S33578-3-5	1	X						
33B	TORCH CONNECTION	S33579-3-3	1		X					

**Miscellaneous Items (not shown in figure A, B, C)**

Item	Description	Part Number	QTY	1	2	3	4	5	6	7
34	AIR TUBES KIT	T-8040-227-1R	1	X						
	AIR TUBES KIT	T-8040-227-2R	1		X					
35	LC30 4M PLASMA HAND TORCH	W100000325	1	X						
36	LC45 6M PLASMA HAND TORCH	W100000327	1		X					

# Electrical Schematic

CODE: 50714

