

LF 45

Spare Parts.....	1
Figure A: Machine Assembly	1
Figure B: Wire Drive Assembly	2
Electrical Schematic	4
WEEE	6



Spare Parts

SP50220 REV03A
08/11

ASSEMBLY PAGE NAME			Machine Assembly	Wire Drive Assembly				
CODE NO.:	K NO.:	FIGURE NO.:	A	B				
50220	K14072-1	LINC FEED 45	1	1				

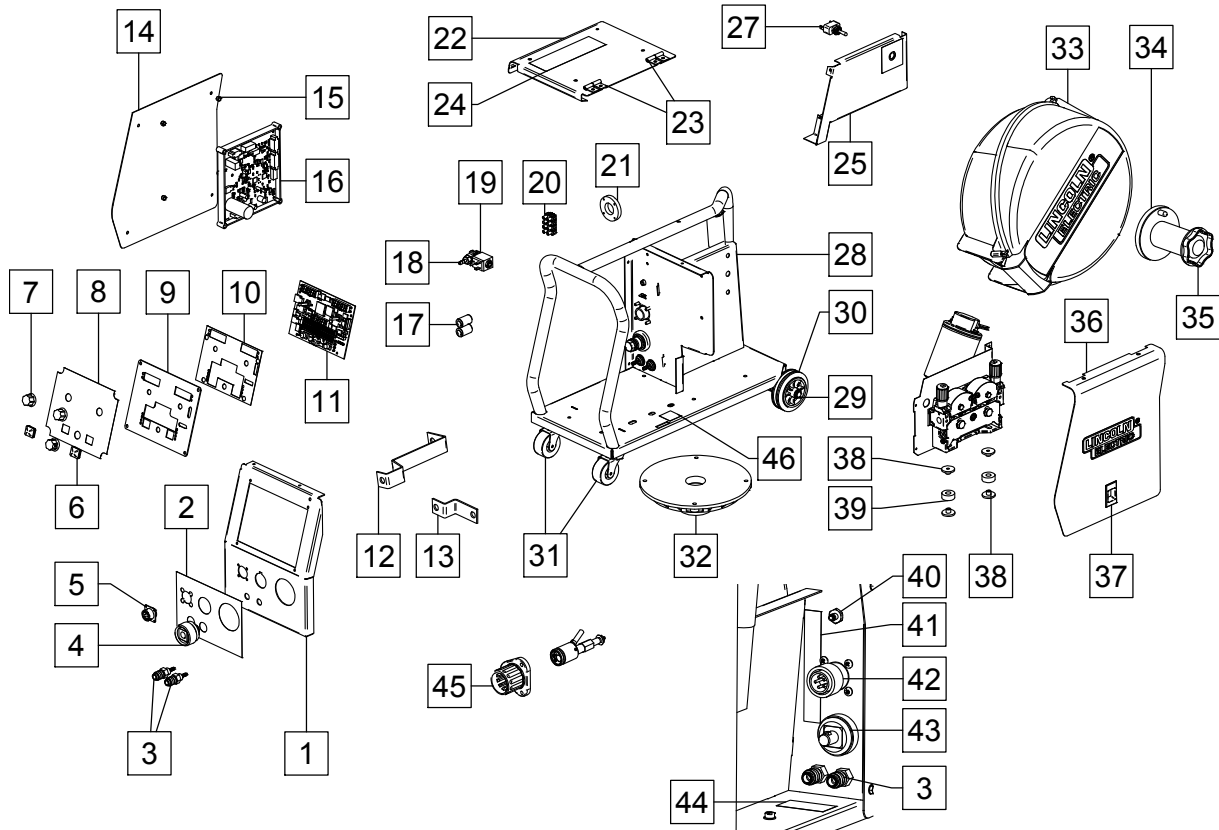


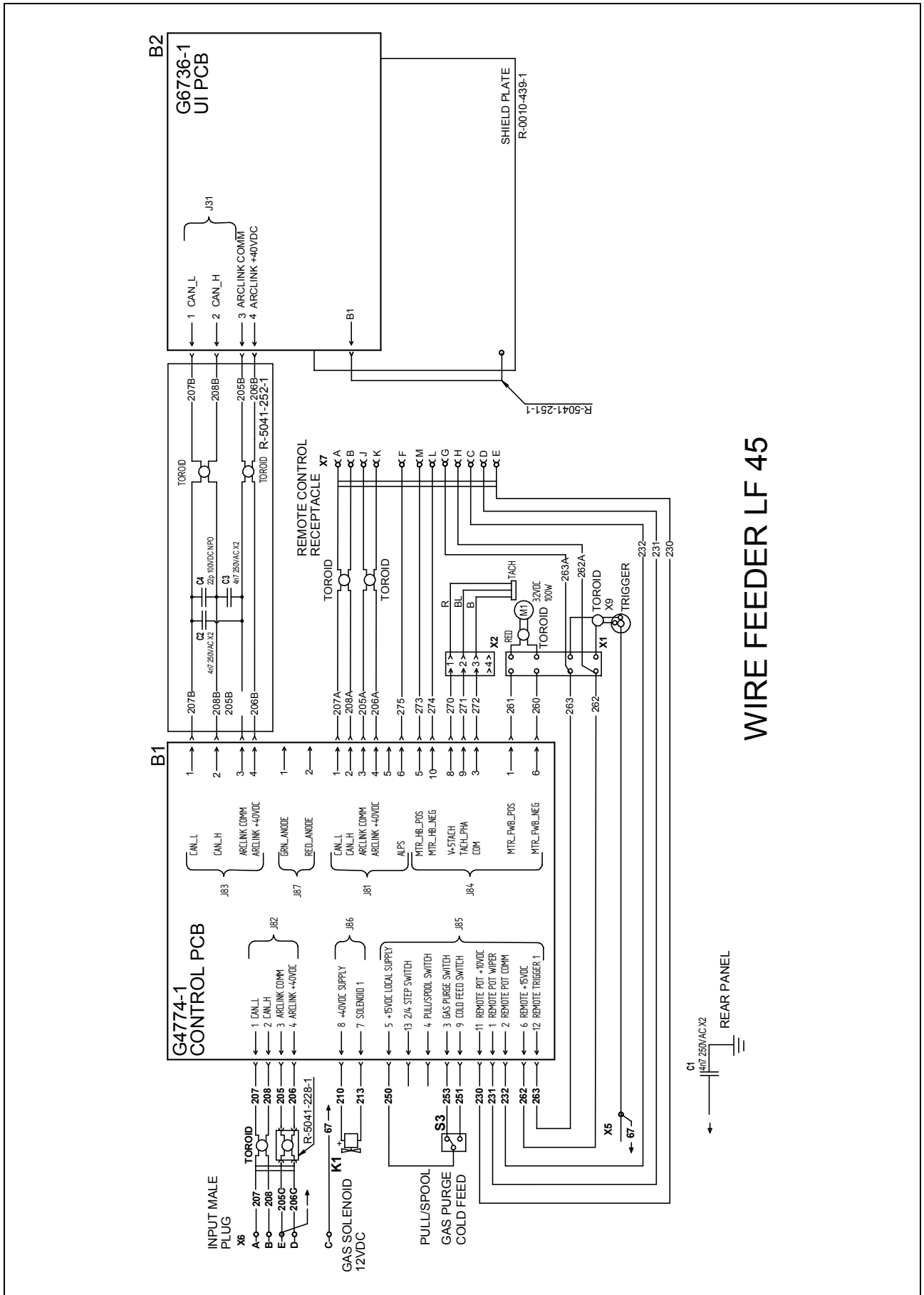
Figure A

Figure A: Machine Assembly

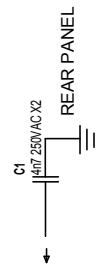
Item	Description	Part Number	QTY	1	2	3	4	5	6	7
1	FRONT PANEL	R-3019-168-1/08R	1	X						
2	STICKER	R-0010-284-1R	1	X						
3	QUICK CONNECTOR FEMALE	0744-000-152R	4	X						
4	SOCKET	C-2986-001-3R	1	X						
5	REMOTE SOCKET X7	1158-641-149R	1	X						
6	RUBBER BUTTON	1373-182-005R	2	X						
7	KNOB	9ET13639-3	3	X						
8	STICKER	R-0010-285-1R	1	X						
9	SHIELD	R-3019-170-1/08R	1	X						
10	SHIELD PLATE	R-8040-298-1R	1	X						
11	P.C. BOARD	R-6042-054-1R	1	X						
12	CONDUCTOR RAIL	R-1010-040-1R	1	X						
13	CONDUCTOR RAIL	R-1010-039-1R	1	X						
14	LEFT SIDE PANEL	R-1019-227-1R	1	X						
15	SLEEVE	1131-155-001R	4	X						
16	P.C. BOARD	R-6042-053-1R	1	X						
17	FERRITE CORE	1158-290-036R	4	X						

Item	Description	Part Number	QTY	1	2	3	4	5	6	7
	WIRE DRIVE ASSEMBLY	0744-000-241R	1	X	X					
1	FEED PLATE	0646-233-002R	1	X	X					
2	FIXING ARM COMPL.	0646-233-015R	2	X	X					
3	INLET GUIDE	0646-233-025R	1	X	X					
4	AXIS PRESSURE ARM	0646-233-003R	2	X	X					
5	SPRING PRESSURE ARM	0646-233-013R	2	X	X					
6	PRESSURE ARM COMPL.L	0646-233-007R	1	X	X					
7	AXIS DRIVE ROLL	0646-233-020R	1	X	X					
8	INTERMEDIATE GUIDE	0646-233-023R	2	X	X					
9	GEAR WHEEL ROLL	0646-231-090R	2	X	X					
10	GEAR WHEEL MOTOR	0646-233-028R	1	X	X					
11	FIXING CAP	0744-000-190R	2	X	X					
12	METAL COVER	0646-233-027R	1	X	X					
13	PRESSURE ARM COMPL.R	0646-233-005R	1	X	X					
14	MOTOR	R-8040-024-3R	1	X	X					
15	WOODROF KEY	0646-231-102R	1	X	X					
16	DIVIDER	R-1019-207-1/08R	1	X						
17	EURO SOCKET X9	R-8040-140-3R	1	X						
18	OUTLET GUIDE	D-1829-066-3R	1	X						

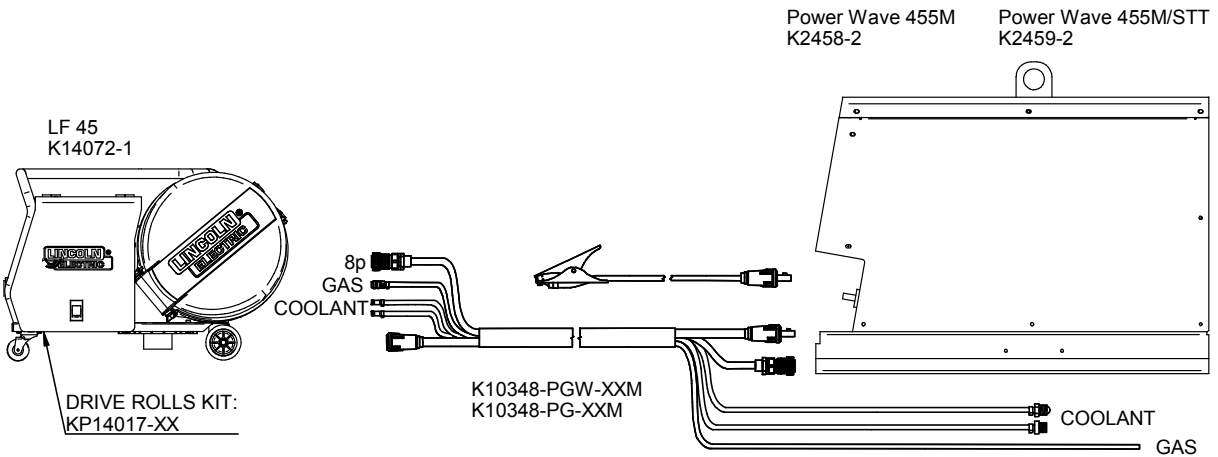
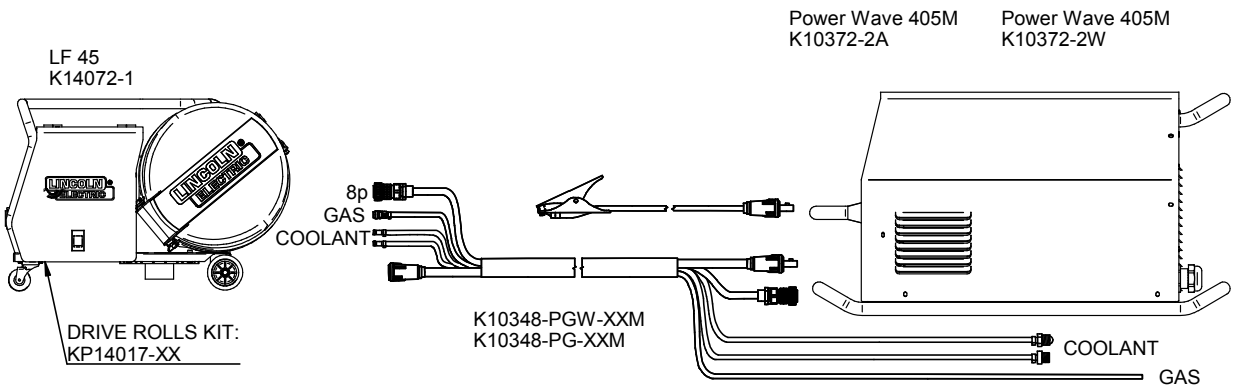
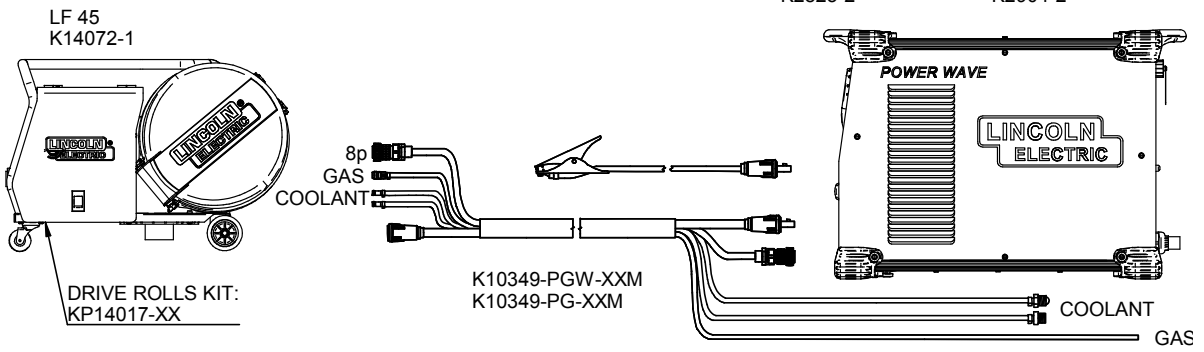
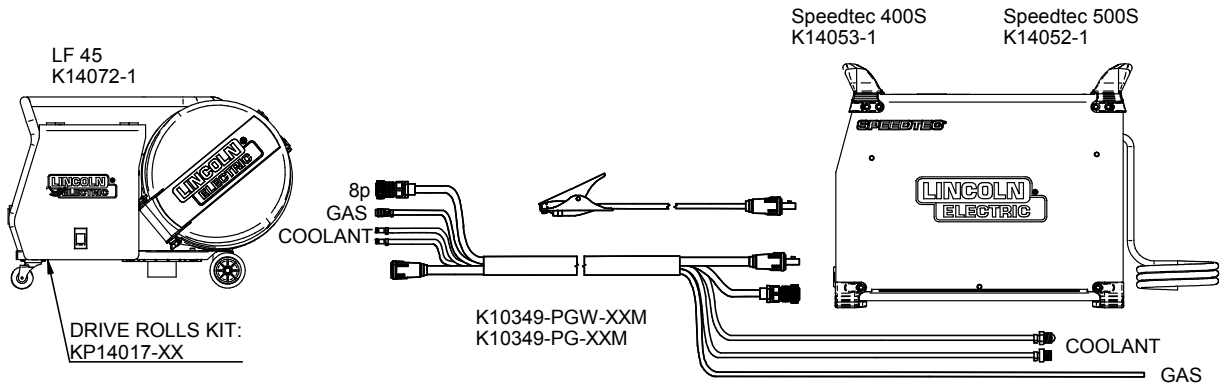
Electrical Schematic



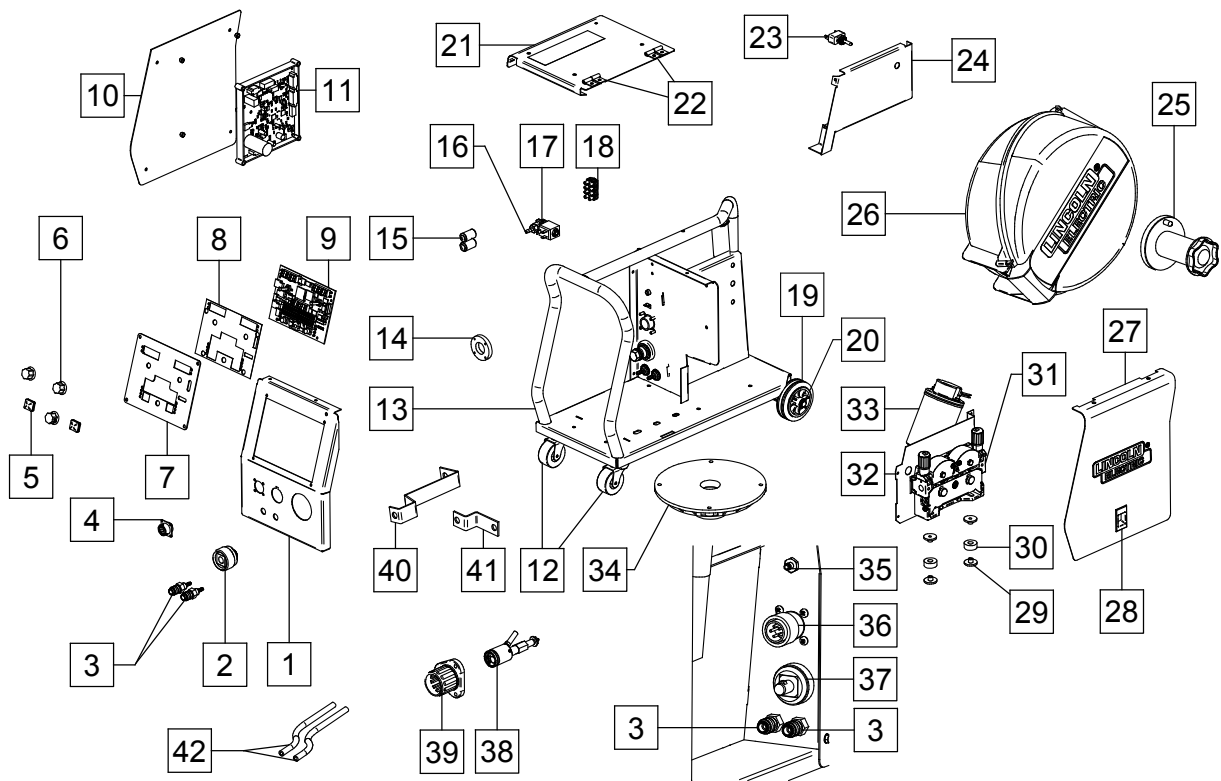
WIRE FEEDER LF 45



LF 45 code 50220 Connection Diagram



WEEE



	Ref.	Recycle				ST				
		Fe	Al	Cu	Brass	Boards	Plastics	Liquid Cristal	External Electric Cables	Capacitors
FRONT PANEL	1	X								
RACK	13	X								
AXLE	20	X								
DIVIDER	24, 32	X								
RIGHT SIDE PANEL	27	X								
LOCK	28									
LEFT SIDE PANEL	10	X								
COVER	21	X								
HINGLE	22	X								
P.C. BOARD	8, 9, 11					X				
WIRE REEL SPINDLE	25	X			X					
PLASTIC COVER	26						X			
CONDUCTOR RAIL	40, 41			X						
SHIELD	8					X				
EURO SOCKET	38				X					
EURO SLEEVE	39						X			
WHEELS	12, 19	X					X			
SOCKET	2, 4, 36, 37	X	X	X			X			
RING	14		X							
COUPLER	3, 16, 35									
SWITCHES	23	X			X					
KNOB	6						X			
BUTTON	5						X			
GAS SOLENOID	17	X		X	X					
SHIELD	7	X								
SLEEVE	29, 30						X			

WIRE FEEDER	31	X		X			X			
MOTOR	33	X		X						
ROTARY BRACKET	34						X			
HOSES	42						X			
TERMINAL BLOCKS	18	X		X			X			
FERRITE CORE	15	X								