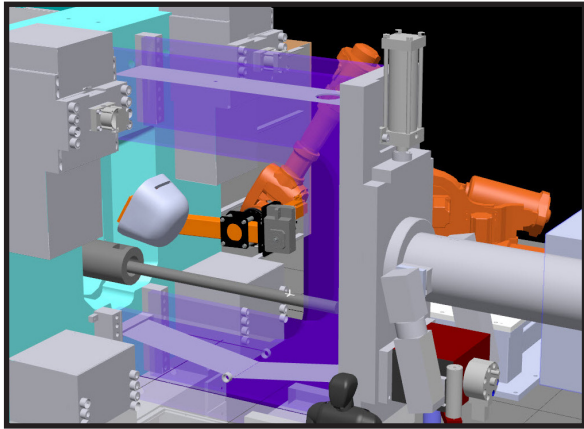


# RIMROCK 7<sup>th</sup> AXIS LADLE

## ROBOTIC SYSTEM



Rimrock 7<sup>th</sup> Axis Ladle pouring in-line with shot sleeve [simulation]

Render is for reference only



Rimrock 7<sup>th</sup> Axis Ladle EOAT on ABB<sup>®</sup> robot

## RIMROCK 7<sup>th</sup> AXIS LADLE END-OF-ARM TOOLING

Lincoln Electric Automation™ has engineered the Rimrock<sup>®</sup> 7<sup>th</sup> Axis Ladle to help increase metal pour consistency, reduce setup time, create a safe workplace, and increase reliability and ease of use. This product is available in a standard or custom end-of-arm tooling arrangement.

### KEY FEATURES

- ABB<sup>®</sup> or FANUC<sup>®</sup> integrated 7<sup>th</sup> axis pour profile
  - » Custom teach pendant screens
- Submersible pour shaft
  - » Withstands 30-minute submersion under metal bath

### BENEFITS

- Removes operator from cell space
- Industry-leading pour and control
  - » Programmable spout TCP
  - » Pour in-line with shot sleeve
  - » Dipper level correction in pitch, yaw, and roll

### OPTIONS AVAILABLE

- Laser metal level
  - » Eliminates probes
- Foundry split pour
  - » Fills two sprues in a single pour
- Foundry dual pour
  - » Fills two sprues from the same mold in two pours
- Heat shielding and insulation wraps
- Spring-loaded chain tensioner
- Foundry laser-guided mold tracking

### INDUSTRIES

- Die casting
- General foundry

## CONTACT LINCOLN ELECTRIC AUTOMATION - COLUMBUS



1700 Jetway Blvd  
Columbus, OH 43219



+1 (614) 471-5926



sales\_columbus@lincolnelectric.com

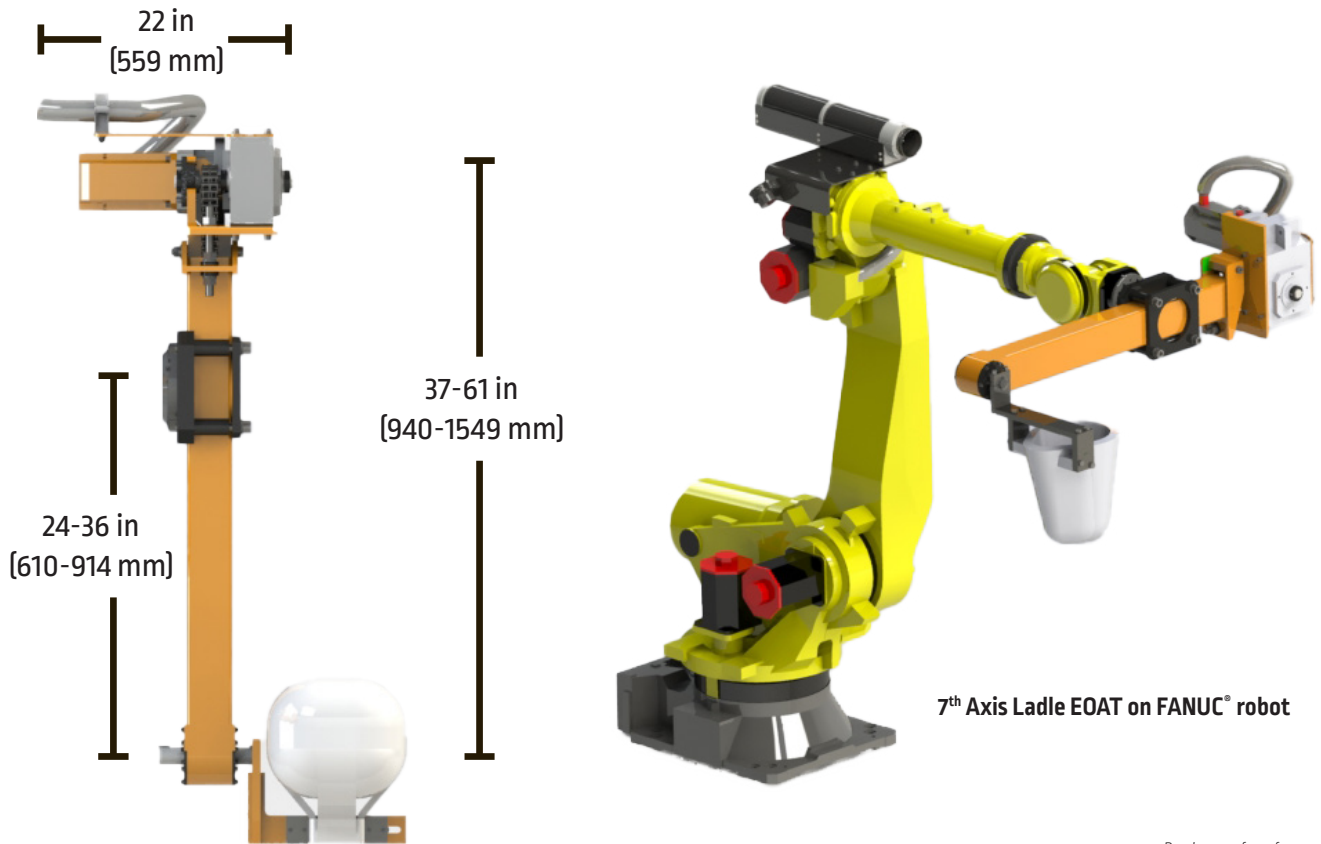


[www.lincolnelectric.com](http://www.lincolnelectric.com)  
[www.rimrockcorp.com](http://www.rimrockcorp.com)

Publication LEA-040723TM2-01

© Lincoln Global Inc. All Rights Reserved All trademarks and registered trademarks are the property of their respective owners.  
[www.lincolnelectric.com/automation](http://www.lincolnelectric.com/automation)





7<sup>th</sup> Axis Ladle EOAT on FANUC® robot

*Renders are for reference only*

## PRODUCT SPECIFICATIONS

Model	Payload	Reach Length	DCM Size
7AL-75	75 lb (34 kg)	24 in (610 mm)	600T - 1200T
7AL-100	100 lb (45 kg)	32 in (813 mm)	1200T - 1800T
7AL-200	200 lb (91 kg)	36 in (914 mm)	1800T - 4500T

In addition to our standard models, Lincoln Electric Automation offers **customized** solutions specific to customers' needs.

Important Note: Changes from recommended motor sizing, payload, duty cycles, cable routing, weld grounding (if applicable), other system specifications [i.e. servo parameters, controller stop parameter], and/or modifications may affect cycle times and overall performance. User assumes all responsibility for proper rigging, installation, and machine setting alignments of product(s). Manufacturer's warranty is void to the extent any failure caused by improper installation, modification, or operation by customer.

### CUSTOMER ASSISTANCE POLICY

The business of Lincoln Electric is manufacturing and selling high quality welding equipment, automated welding systems, consumables, and cutting equipment. Our challenge is to meet the needs of our customers, who are experts in their fields, and to exceed their expectations. On occasion, purchasers may ask Lincoln Electric for information or technical information about their use of our products. Our employees respond to inquiries to the best of their ability based on information and specifications provided to them by the customers and the knowledge they may have concerning the application. Our employees, however, are not in a position to verify the information provided or to evaluate the engineering requirements for the particular weldment, or to provide engineering advice in relation to a specific situation or application. Accordingly, Lincoln Electric does not warrant or guarantee or assume any liability with respect to such information or communications. Moreover, the provision of such information or technical information does not create, expand, or alter any warranty on our products. Any express or implied warranty that might arise from the information or technical information, including any implied warranty of merchantability or any warranty of fitness for any customers' particular purpose or any other equivalent or similar warranty is specifically disclaimed.

Lincoln Electric is a responsive manufacturer, but the definition of specifications, and the selection and use of specific products sold by Lincoln Electric is solely within the control of, and remains the sole responsibility of the customer. Many variables beyond the control of Lincoln Electric affect the results obtained in applying these types of fabrication methods and service requirements.

THE LINCOLN ELECTRIC COMPANY  
 22801 Saint Clair Avenue - Cleveland, OH - 44117 - U.S.A.  
 Phone: +1 216.481.8100 - [www.lincolnelectric.com](http://www.lincolnelectric.com)