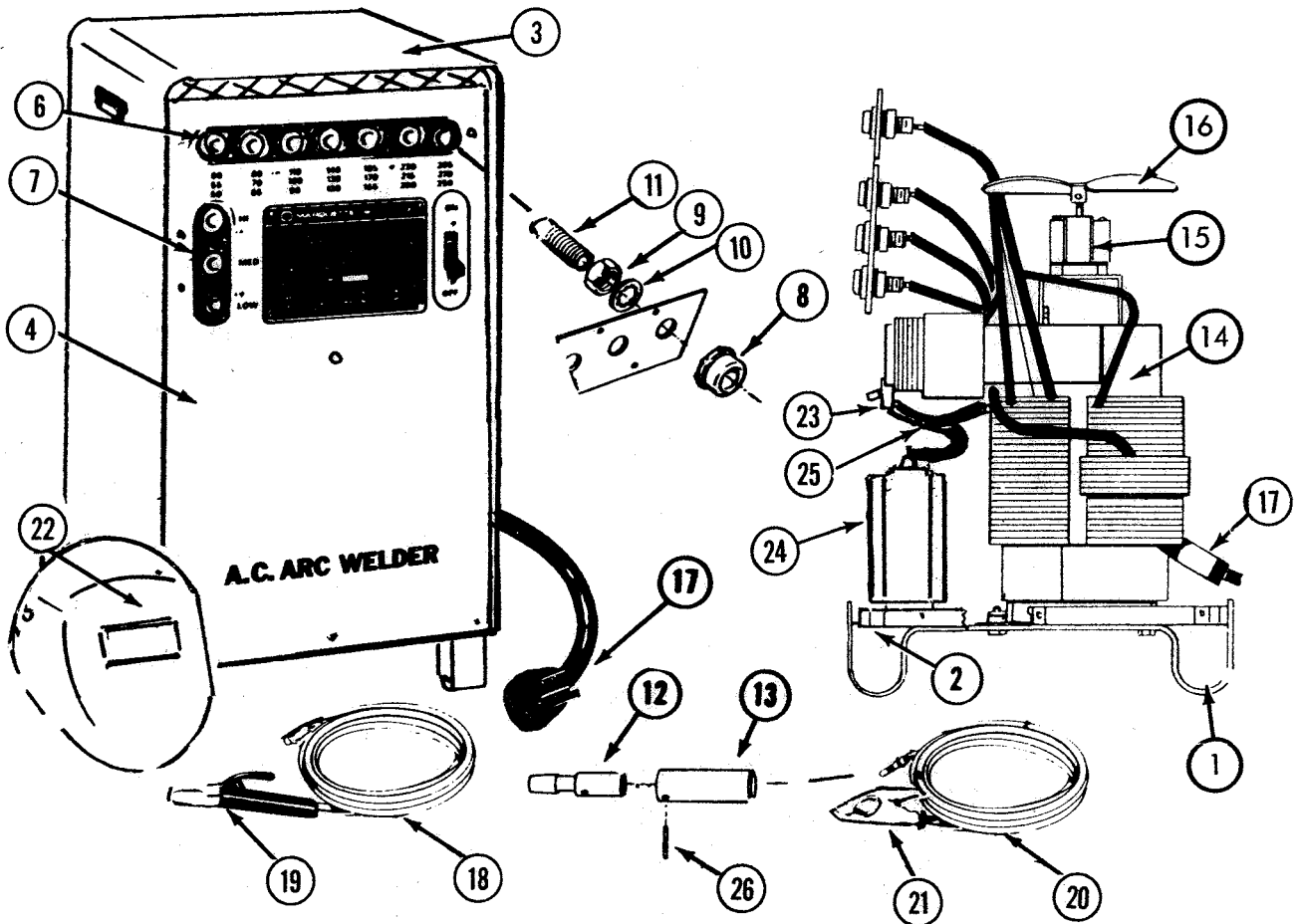


PARTS LIST



ORDERING INSTRUCTIONS

To avoid delay and assure correct replacement parts, always include the following information with the parts order :

1. Model and Serial Number. 2. Part Number and Description . 3. Quantity of Parts desired.

NOTE: Do not use Item Number when ordering replacement parts.

Optional Wheel Kit 15-996 same for both Models 10-120 & 10-124.

ITEM	PART NO.	DESCRIPTION	ITEM	PART NO.	DESCRIPTION
1	617-40553	Foot Assembly	14	617-40187	Transformer & Reactor Ass'y. (Includes Terminal Posts)
2	617-40555	Base Assembly	15	617-46861	Fan Motor
3	617-40554	Cabinet Wrap Assembly	16	626-59883	Fan Blade
4	619-68911	Front Panel Assembly	17	633-58232	Power Cord Set
5	619-68910	Nameplate (10-120)	18	634-67109	Electrode Cable Ass'y.
5	619-58366	Nameplate (10-124)	19	685-40705	Electrode Holder
6	613-40046	Terminal Panel (7-taps)	20	634-67108	Work Cable Ass'y.
7	613-40222	Terminal Panel (3-taps)	21	651-58847	Work Clamp
8	699-40529	Terminal Nut	22	50-132	Helmet
9	699-50763	Terminal Post Nut	23	627-42233	Line Switch
10	699-50976	Terminal Post Lockwasher	24	637-47879	Capacitor w/brkts (10-124)
11	611-50765	Terminal Post	25	634-58352	Jumper -2 required (10-124)
12	611-71219	Cable Plug	26	613-71223	Pin
13	649-71222	Cable Plug Insulator			