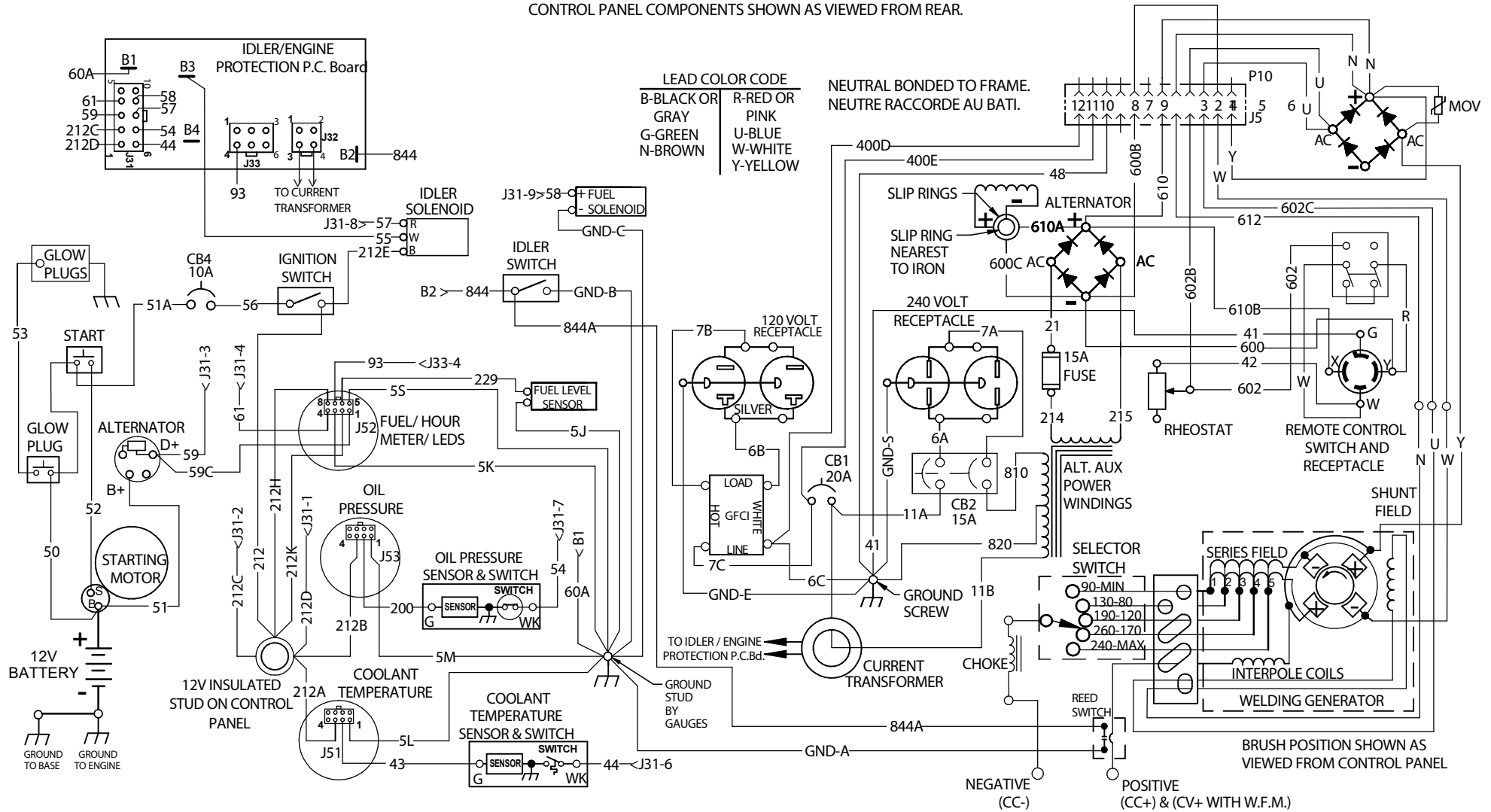
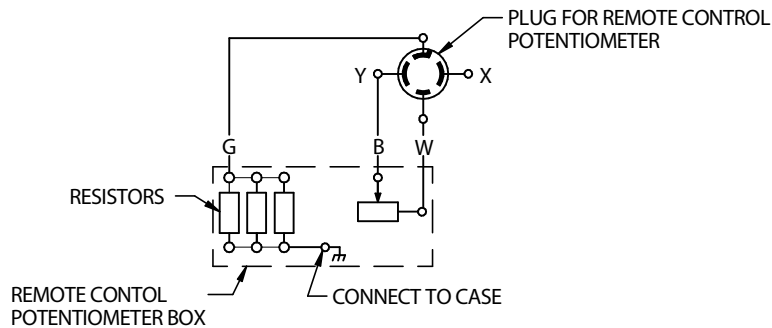


SA 400I WIRING DIAGRAM M25279 REV:A

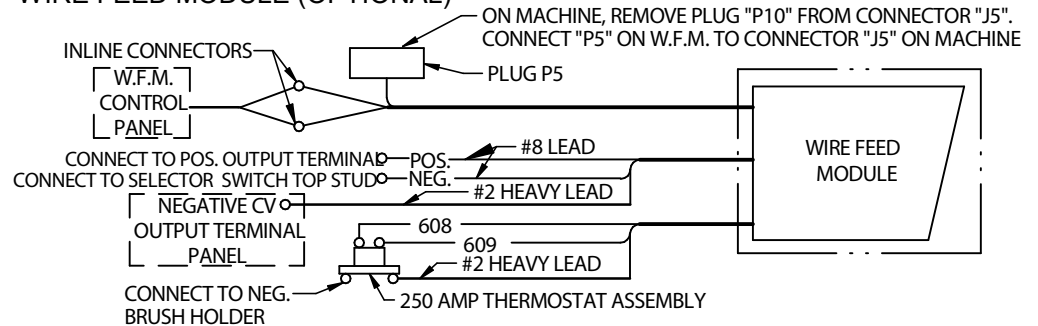
CONTROL PANEL COMPONENTS SHOWN AS VIEWED FROM REAR.



REMOTE CONTROL (OPTIONAL)



WIRE FEED MODULE (OPTIONAL)



MACHINE MUST NOT BE RUNNING WHEN MAKING THESE CONNECTIONS.

**LINCOLN
ELECTRIC**