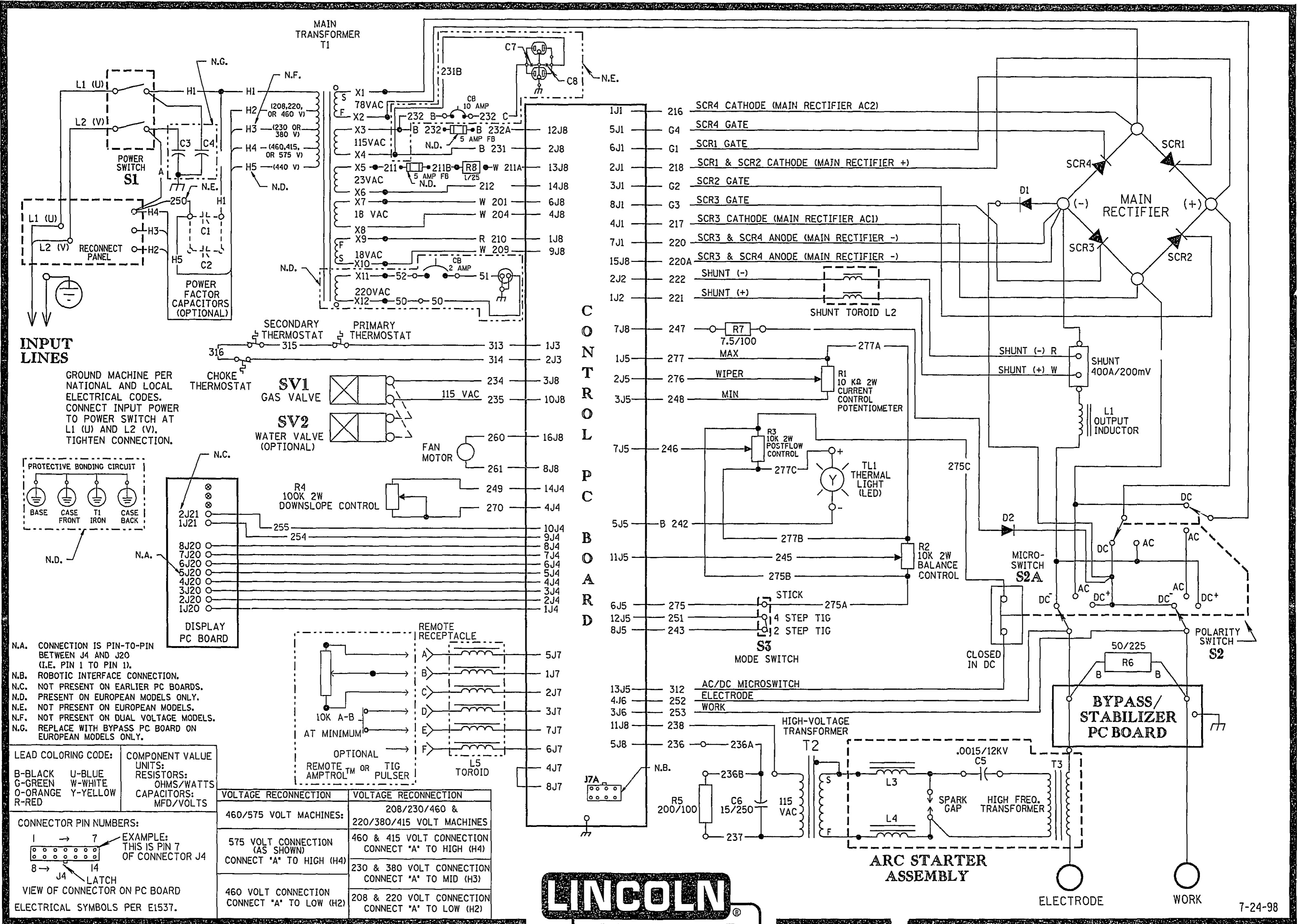
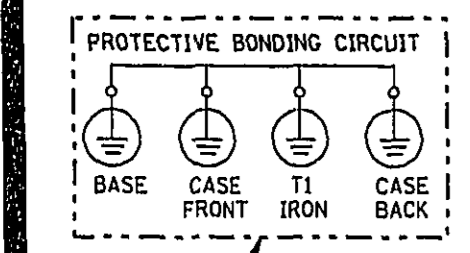


MACHINE SCHEMATIC - SW TIG 275

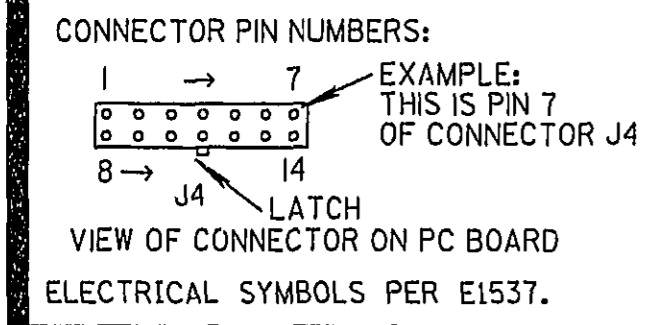


GROUND MACHINE PER NATIONAL AND LOCAL ELECTRICAL CODES. CONNECT INPUT POWER TO POWER SWITCH AT L1 (U) AND L2 (V). TIGHTEN CONNECTION.



- N.A. CONNECTION IS PIN-TO-PIN BETWEEN J4 AND J20 (I.E. PIN 1 TO PIN 1).
- N.B. ROBOTIC INTERFACE CONNECTION.
- N.C. NOT PRESENT ON EARLIER PC BOARDS.
- N.D. PRESENT ON EUROPEAN MODELS ONLY.
- N.E. NOT PRESENT ON EUROPEAN MODELS.
- N.F. NOT PRESENT ON DUAL VOLTAGE MODELS.
- N.G. REPLACE WITH BYPASS PC BOARD ON EUROPEAN MODELS ONLY.

LEAD COLORING CODE:	COMPONENT VALUE UNITS:
B-BLACK	U-BLUE
G-GREEN	W-WHITE
O-ORANGE	Y-YELLOW
R-RED	
	RESISTORS: OHMS/WATTS
	CAPACITORS: MFD/VOLTS



VOLTAGE RECONNECTION	VOLTAGE RECONNECTION
460/575 VOLT MACHINES:	208/230/460 & 220/380/415 VOLT MACHINES
575 VOLT CONNECTION (AS SHOWN) CONNECT "A" TO HIGH (H4)	460 & 415 VOLT CONNECTION CONNECT "A" TO HIGH (H4)
460 VOLT CONNECTION CONNECT "A" TO LOW (H2)	230 & 380 VOLT CONNECTION CONNECT "A" TO MID (H3)
	208 & 220 VOLT CONNECTION CONNECT "A" TO LOW (H2)



CLEVELAND, OHIO U.S.A.

7-24-98

EQUIP. TYPE: SW TIG 275
 SUBJECT: SCHEMATIC - MACHINE
 SCALE: NONE
 DATE: 6-12-98
 DR: JEP/MLP
 REF: L10059
 SUP: STG
 THE LINCOLN ELECTRIC CO. CLEVELAND, OHIO U.S.A.
 THIS SHEET CONTAINS PROPRIETARY INFORMATION OWNED BY THE LINCOLN ELECTRIC CO. AND IS NOT TO BE REPRODUCED, DISCLOSED OR USED WITHOUT THE EXPRESS PERMISSION OF THE LINCOLN ELECTRIC CO.
 UNLESS OTHERWISE SPECIFIED, TOLERANCES ARE TO BE MAINTAINED TO THE FOLLOWING: DIMENSIONS IN INCHES: .0005 INCHES (ALL DIMENSIONS) UNLESS OTHERWISE SPECIFIED. DIMENSIONS IN MILLIMETERS: .0254 MM (ALL DIMENSIONS) UNLESS OTHERWISE SPECIFIED. MATERIALS: UNLESS OTHERWISE SPECIFIED, ALL MATERIALS SHALL BE AS SUPPLIED BY THE MANUFACTURER.

PRINT TO 8.5 X 11.0

L10891