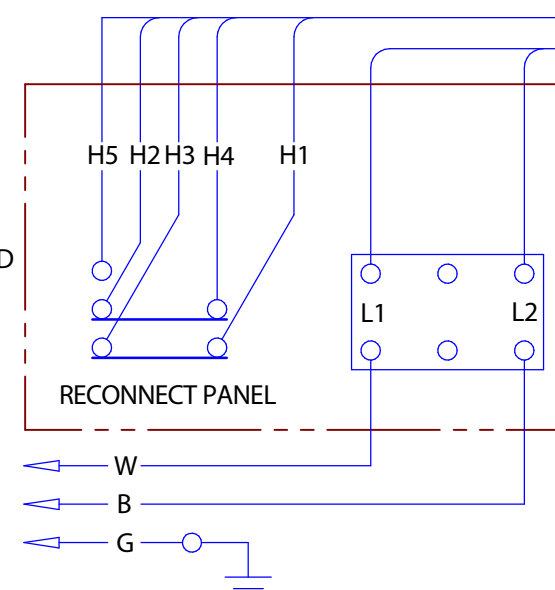
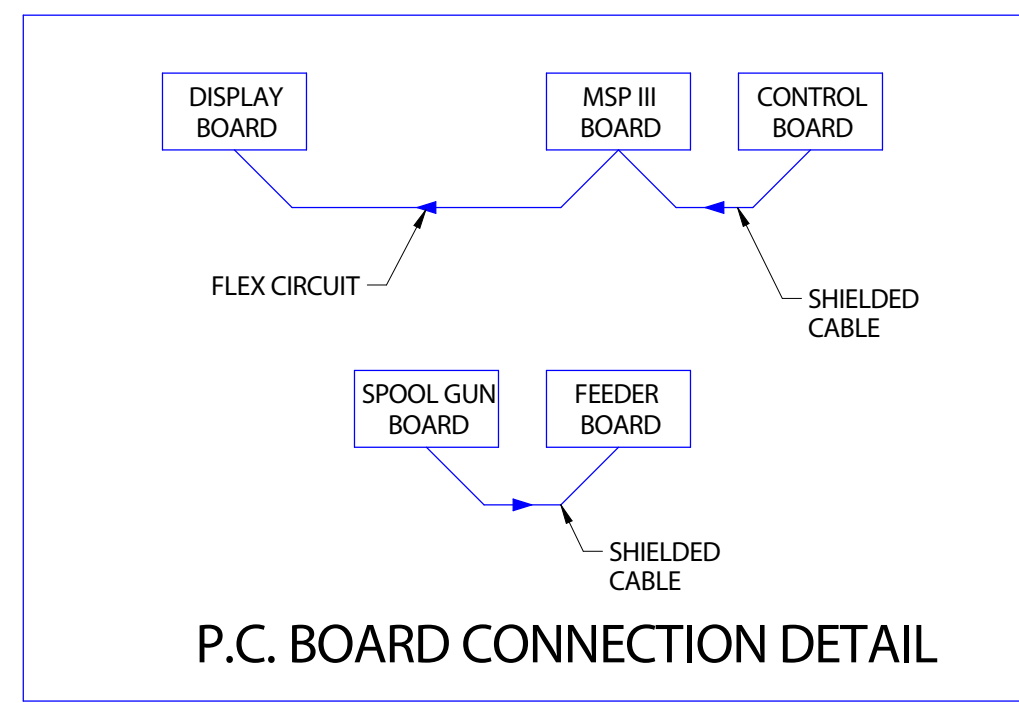
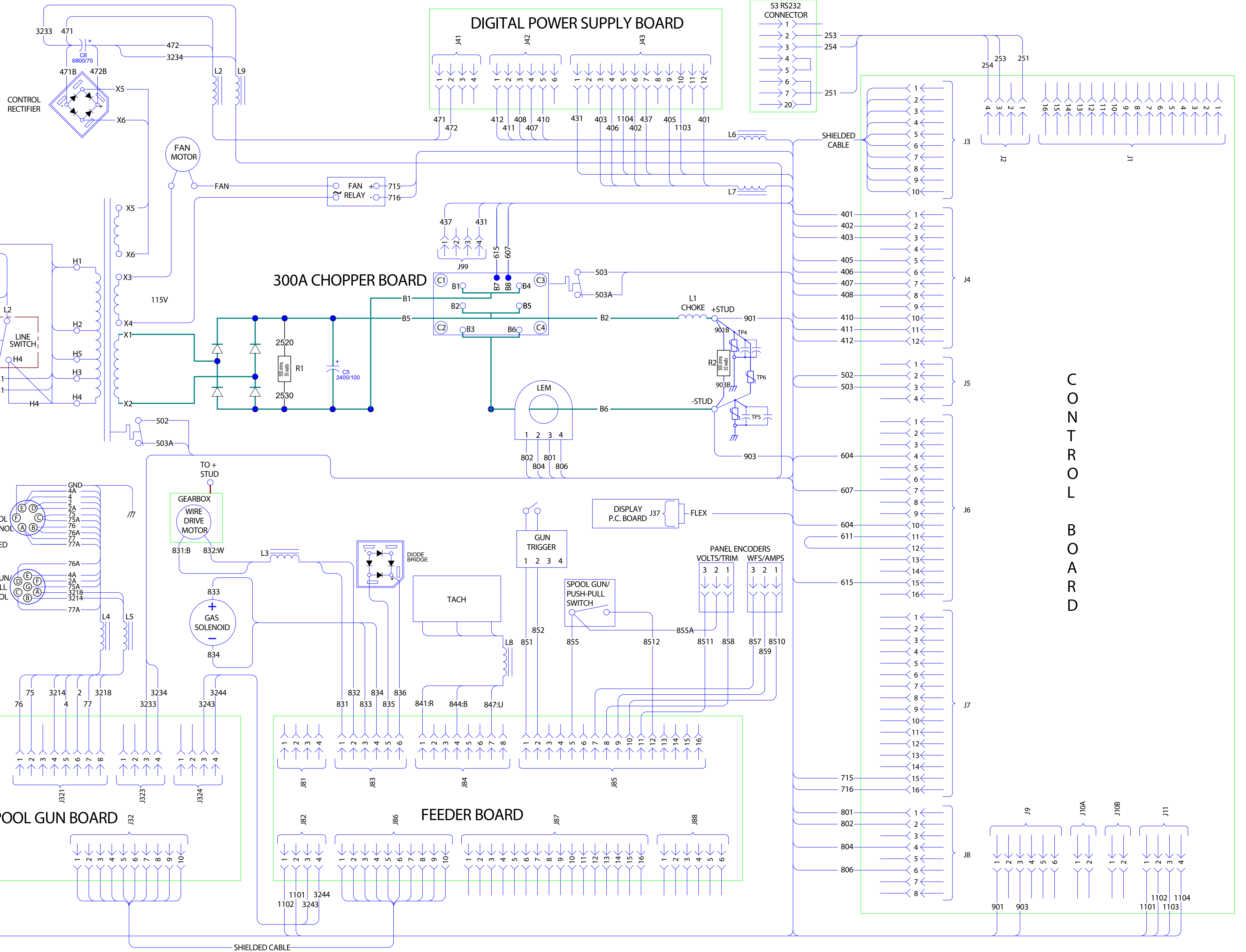
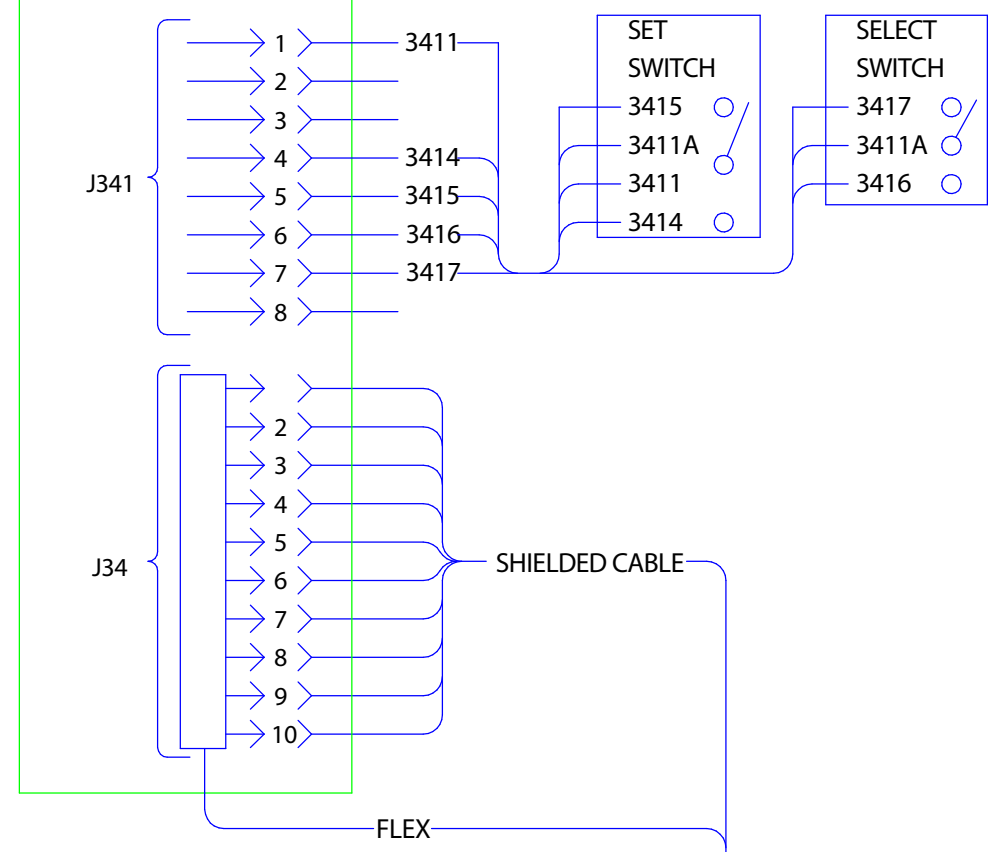


POWER MIG 300 WIRING DIAGRAM G4068 REV: A



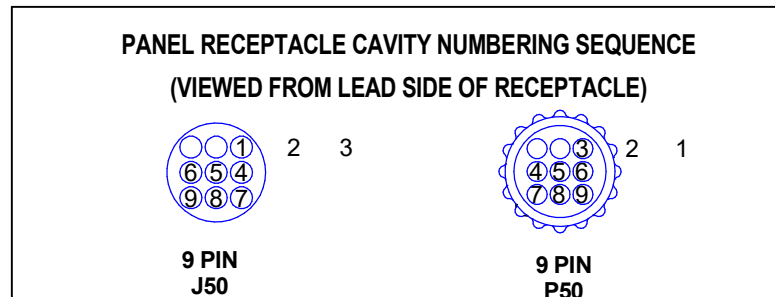
MSP III BOARD



LEAD COLOR CODE:
 B=BLACK OR GRAY
 R=RED OR PINK
 W=WHITE
 G=GREEN (W/YELLOW STRIPE)

CONNECTOR CAVITY NUMBERING SEQUENCE
 (VIEWED FROM COMPONENT SIDE OF BOARD)

L2 THRU L9 ARE RF CHOKES
 ALL CASE FRONT COMPONENTS SHOWN VIEWED FROM REAR.



CLEVELAND, OHIO U.S.A.