

76LE1-W

LEGEND

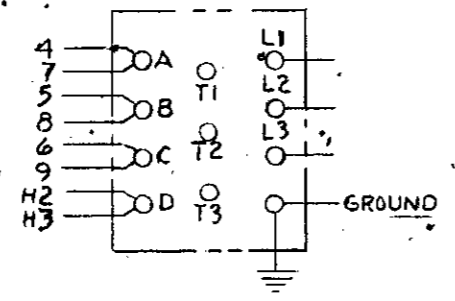
- C4 1 MFD
- C5 .022 MFD
- C6 .022 MFD
- C7 .02 MFD
- *D1 12.5 AMP
- D4 1 AMP
- D5 3 AMP
- D6 3 AMP
- D7 1 AMP
- D8 3 AMP
- D9 3 AMP
- D10 3 AMP
- D11 3 AMP
- L1 DC OUTPUT FILTER CHOKE
- R4 22Ω
- R5 4.7KΩ
- *R6 100Ω
- *R7 50Ω
- R8 5.1KΩ
- R9 1.8KΩ
- R10 10KΩ POT
- R11 1.5KΩ
- R12 10KΩ POT
- R13 3.0Ω 25W
- R14 4.3Ω 10W
- R16 10KΩ
- R17 2.2KΩ *
- T1 MAIN TRANS
- T2 AUX TRANS
- MA1 MAG AMP
- MA2 MAG AMP
- MA3 MAG AMP
- S1 VOLTAGE CONTROL SWITCH
- S2 POWER ON-OFF SWITCH
- S3 CONTROL CIRCUIT SWITCH
- S4 OUTPUT VOLTAGE RANGE SWITCH
- ICR INPUT CONTACTOR
- RECT:1 MAIN POWER RECTIFIER
- FACT:3 CONTACTOR
- Q1 2N5879
- Q2 2N5815
- DZ1 27 V.

* NOT ON EARLIER MACHINES

AUSTRALIA 11-78 CANADA 11-78 FRANCE 11-78 ARMCO

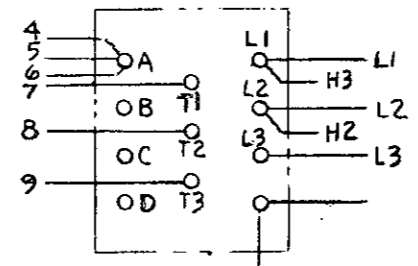
TO GROUND PER NATIONAL ELECTRIC CODE.

RECONNECT PANEL HIGH VOLTAGE CONNECTION



N.A. CENTER TERMINAL OF FUSE HOLDER.

LOW VOLTAGE CONNECTION



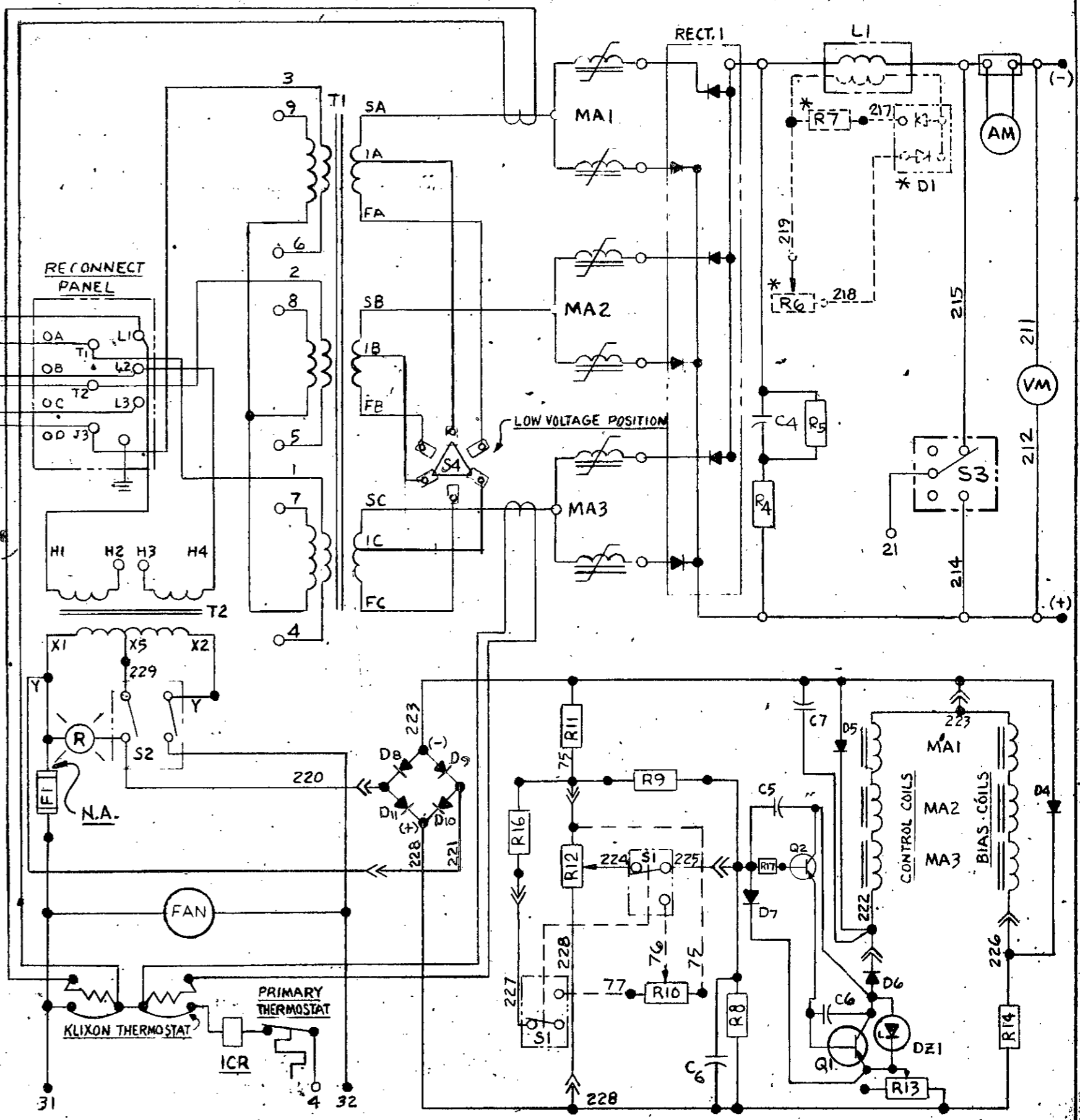
NOTE
 SINCE COMPONENTS OR CIRCUITRY ON A P.C. BOARD MAY CHANGE WITHOUT AFFECTING THE INTERCHANGEABILITY OF A COMPLETE BOARD THIS DIAGRAM MAY NOT SHOW THE EXACT COMPONENTS OR CIRCUITRY OF CONTROLS HAVING A COMMON CODE NUMBER.

* USED WITH ARC CONTROL OPTION ONLY

LEAD COLOR CODE

Y- YELLOW

A.N.S.I. ELECTRICAL SYMBOLS PER E-1537



10-6-78
 12-7-78
 5-16-80
 7-18-80
 5-8-81

SUBJECT: R3S 325 SCHEMATIC WIRING DIAGRAM.
 THE LINCOLN ELECTRIC CO.
 CLEVELAND, OHIO U.S.A.

M-13792

UNLESS OTHERWISE SPECIFIED TOLERANCE*
 ON 2 PLACE DECIMALS IS ±.02
 ON 3 PLACE DECIMALS IS ±.002
 ON ALL ANGLES IS ±.5 OF A DEGREE
 MATERIAL TOLERANCE ("Y") TO AGREE
 WITH PUBLISHED STANDARDS.

THE LINCOLN ELECTRIC CO.
 CLEVELAND, OHIO U.S.A.

DATE 9-19-78 SCALE 1/4"

TYPE R3S-325
 SUBJECT SCHEMATIC DIAGRAM

SUP'S D. DRG. (M) DR. LJP. CHK. SHEET NO. M-13792