

# MODEL 987

## HIGH PRESSURE CYLINDER REGULATOR



Model shown:  
987S-170

### KEY FEATURES

- Maximum inlet pressure 300 bar
- Stainless steel diaphragm
- High pressure capsule seat with Kel-F (CTFE) sealing surface
- Corrosion resistant, forged brass, body and bonnet
- Models available for all non-corrosive compressed gases
- This regulator can be used for lightweight gases
- Temperature Range: -20 +60 °C
- Leak rate: max 10 cm<sup>3</sup>/h, according to ISO 9090
- Weight: 2,1 Kg
- Pressure gauges according to ISO 5171
- 7 year warranty

### Applications »

- Operations with high pressure cylinder.
- High pressure testing, charging accumulators, pressurizing aircraft struts, oil refineries, chemical plants, research laboratories and general industry.
- High pressure manifold distribution.



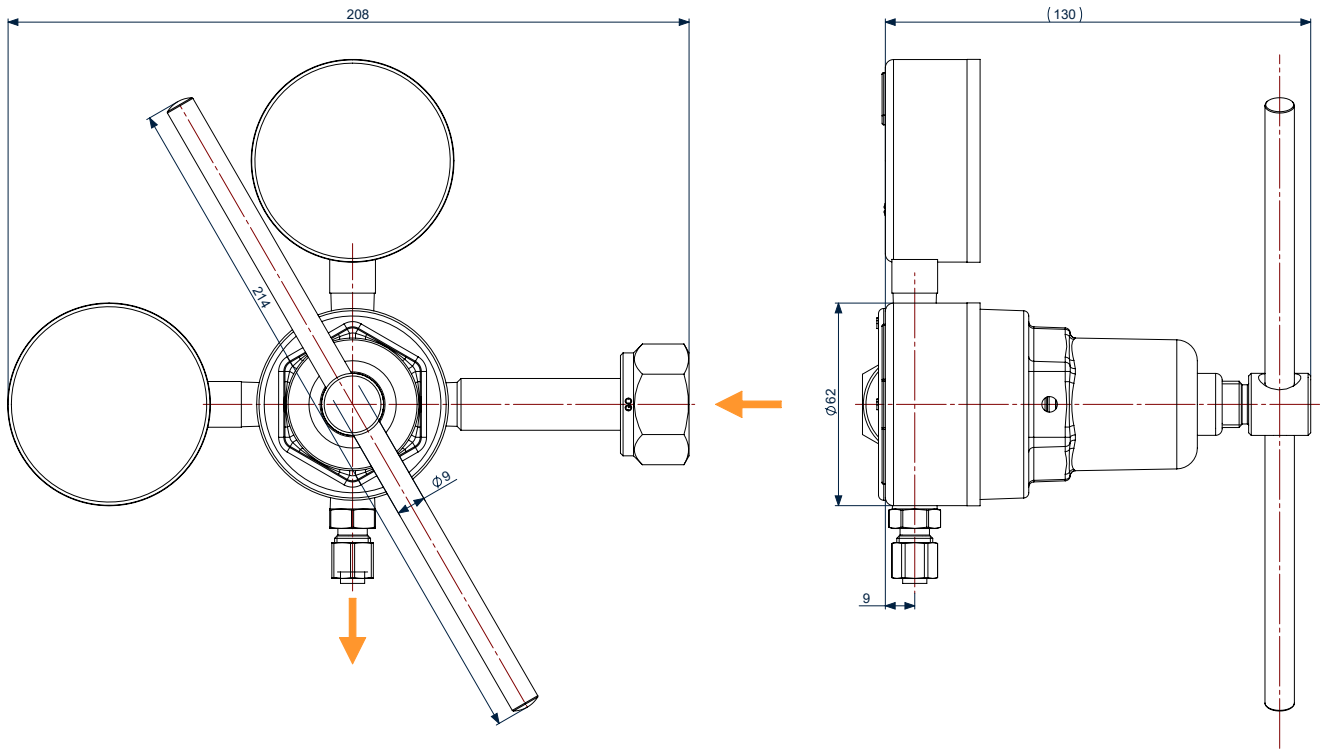
## TECHNICAL DATA

|                                 |                  |
|---------------------------------|------------------|
| Standard                        | Gauges: ISO 5171 |
| Gauges                          | 63 mm            |
| Maximum Inlet Pressure (bar)    | 300              |
| Maximum Delivery Pressure (bar) | 170              |

## MATERIALS

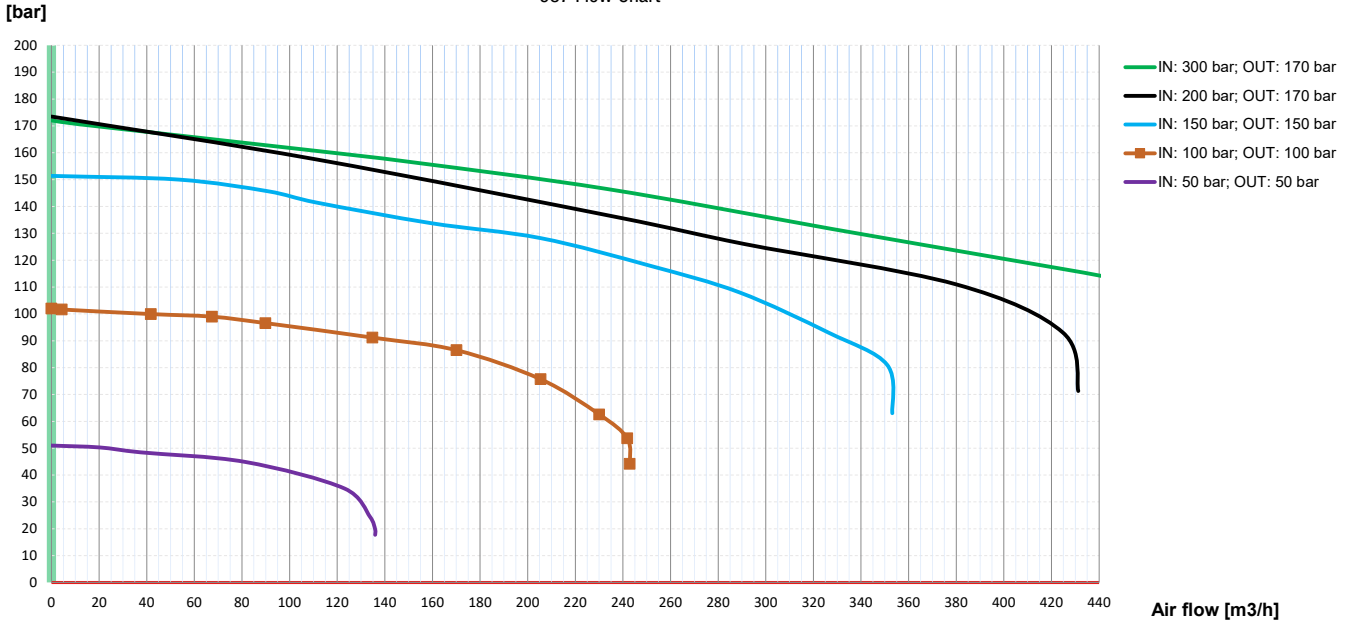
|                       |                             |
|-----------------------|-----------------------------|
| Body                  | Brass                       |
| Bonnet                | Brass                       |
| Diaphragm (regulator) | AISI 304                    |
| Nozzle                | Brass                       |
| Seals                 | PTFE                        |
| Filter                | Nickel plated bronze        |
| Adjusting Knob        | Stainless steel/brass T-bar |

## TECHNICAL DRAWINGS



# FLOW CHARTS

987 Flow Chart



# PRODUCT CONFIGURATION

REG, 987

| TYPE CODE (Only if non-standard) |                                   |
|----------------------------------|-----------------------------------|
| -                                | Horizontal entry (standard)       |
| V                                | Placed in Kit                     |
| E                                | Vertical entry                    |
| A                                | Anti vibrator (lightweight gases) |
| D                                | IRV Diaphragm safety relief valve |
| R                                | External safety relief valve      |
| S                                | Stainless steel diaphragm         |
| B                                | Black-painted gauges              |
| P                                | Without HP gauge                  |
| N                                | 1/4" NPT gauge (std is 1/4" G)    |
| G                                | Inlet connection 3/8"             |
| W                                | Outlet valve (when not standard)  |
| T                                | With lock "T" screw               |
| X                                | With inlet stem valve "SNAP SAFE" |

| DELIVERY PRESSURE |         |
|-------------------|---------|
| 100               | 100 bar |
| 150               | 150 bar |
| 170               | 170 bar |

| CALIBRATION |                                                         |
|-------------|---------------------------------------------------------|
| -           | Pressure gauges calibrated bar or kPa                   |
| L           | Flow gauge or indicator calibrated (lpm)                |
| F           | Flowmeter (lpm)                                         |
| LK          | Flow gauge or indicator in (lpm), Pressure gauge in kPa |
| FK          | Flowmeter in (lpm), Pressure gauge in kPa               |

| GAS |                |
|-----|----------------|
| OX  | Oxygen         |
| AIR | Air            |
| AR  | Argon          |
| CD  | Carbon Dioxide |
| N   | Nitrogen       |
| H   | Hydrogen       |
| HE  | Helium         |

| PROGRESSIVE NUMBER PERSONALIZES |  |
|---------------------------------|--|
| xxx                             |  |

When placing an order, use the code generated according to the table.

REG,987 - 100 - N -

# NOTES

## CUSTOMER ASSISTANCE POLICY

The business of Lincoln Electric is manufacturing and selling high quality welding equipment, automated welding systems, consumables, and cutting equipment. Our challenge is to meet the needs of our customers, who are experts in their fields, and to exceed their expectations. On occasion, purchasers may ask Lincoln Electric for information or technical information about their use of our products. Our employees respond to inquiries to the best of their ability based on information and specifications provided to them by the customers and the knowledge they may have concerning the application. Our employees, however, are not in a position to verify the information provided or to evaluate the engineering requirements for the particular weldment, or to provide engineering advice in relation to a specific situation. Accordingly, Lincoln Electric does not warrant or guarantee or assume any liability with respect to such information or communications. Moreover, the provision of such information or technical information does not create, expand, or alter any warranty on our products. Any express or implied warranty that might arise from the information or technical information, including any implied warranty of merchantability or any warranty of fitness for any customers' particular purpose or any other equivalent or similar warranty is specifically disclaimed.

Lincoln Electric is a responsive manufacturer, but the definition of specifications, and the selection and use of specific products sold by Lincoln Electric is solely within the control of, and remains the sole responsibility of the customer. Many variables beyond the control of Lincoln Electric affect the results obtained in applying these types of fabrication methods and service requirements.



**Contact Harris for pricing and custom configurations**  
+48 74 646 23 52  
marketingharris@lincolnelectric.eu

**Harris Products Group**  
ul. Strefowa 8, 58-200 Dzierzoniow, Poland  
[www.harrisproductsgroup.eu](http://www.harrisproductsgroup.eu)