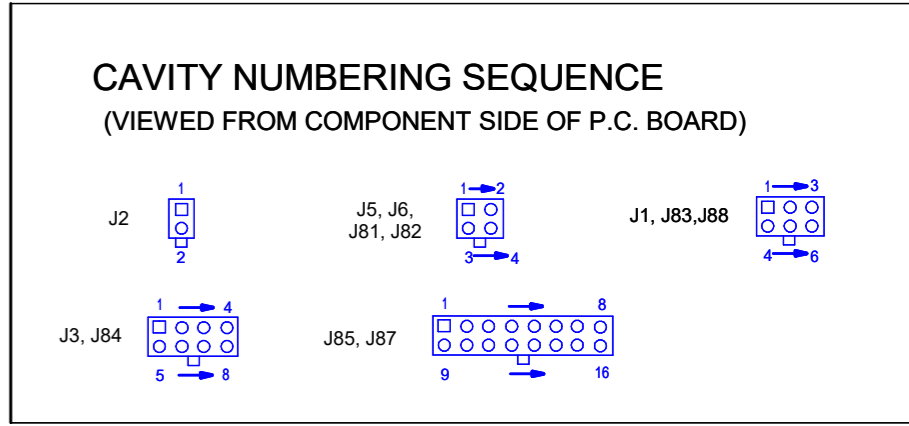
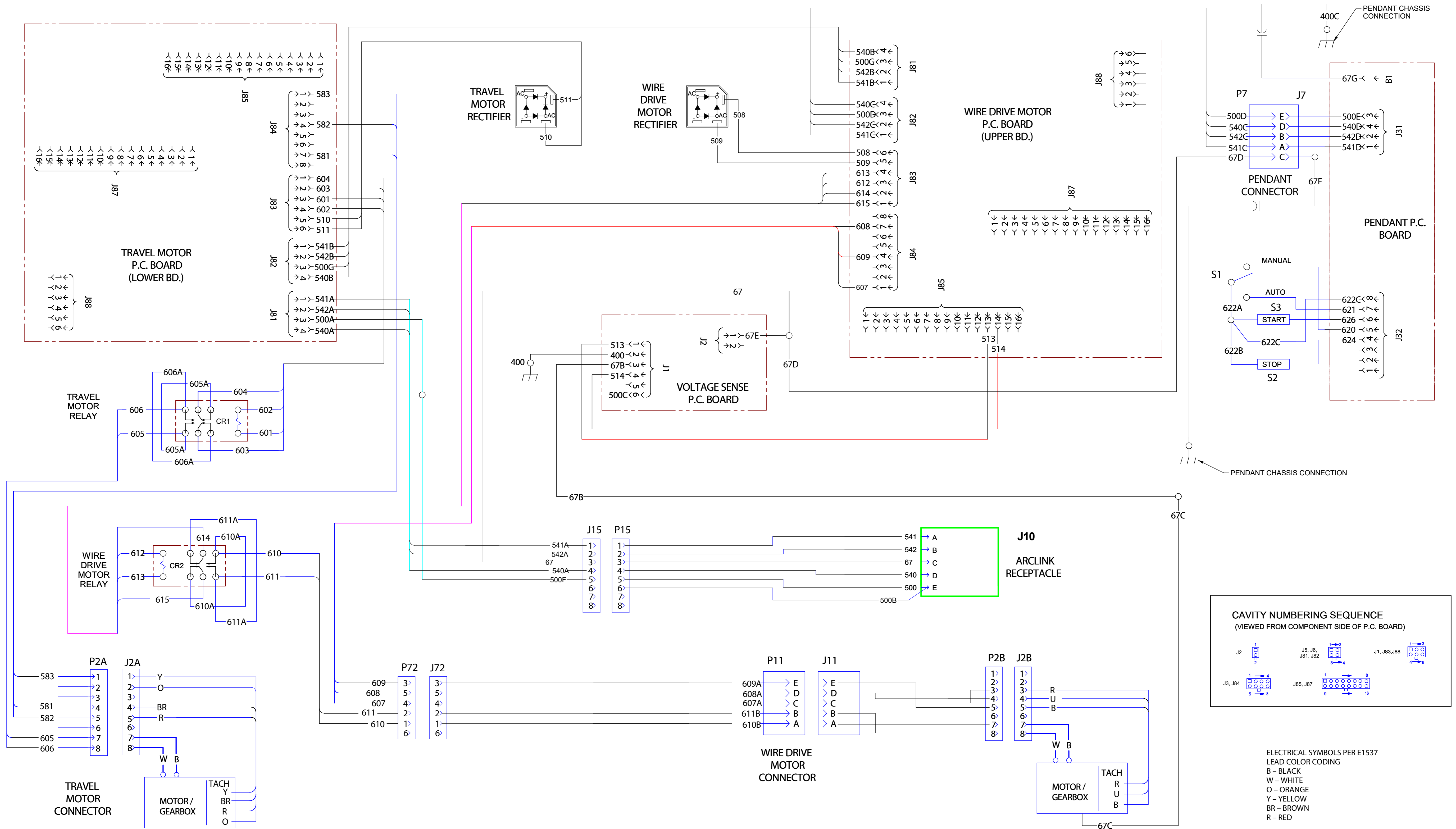


DIGITAL CRUISER WIRING DIAGRAM G5905 REV: D



ELECTRICAL SYMBOLS PER E1537
LEAD COLOR CODING
 B - BLACK
 W - WHITE
 O - ORANGE
 Y - YELLOW
 BR - BROWN
 R - RED