

MARQUETTE®

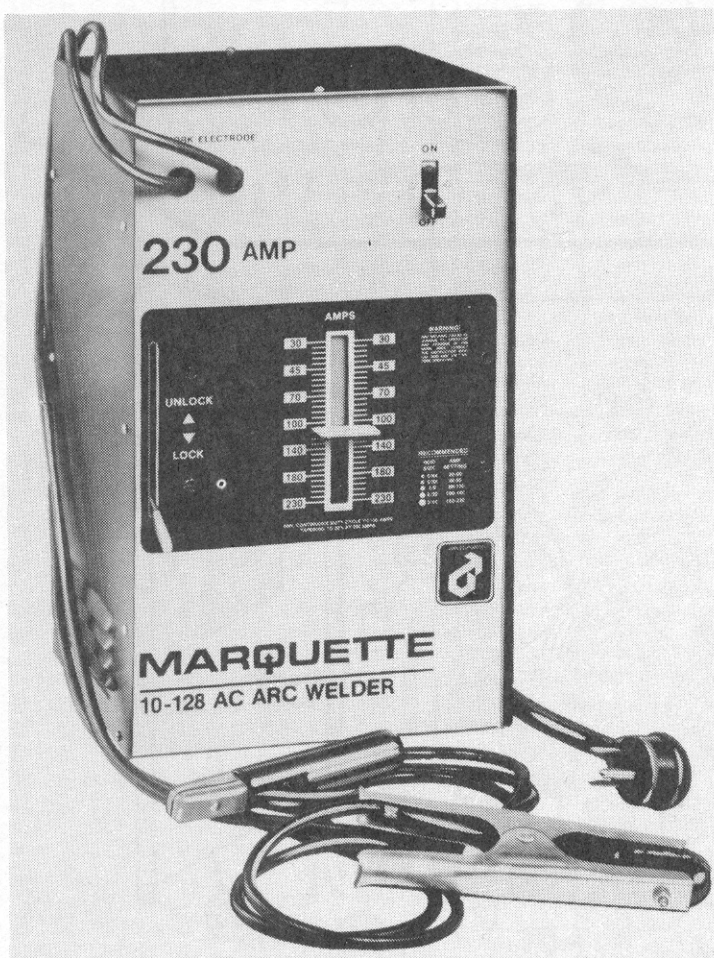
CATEGORY B

MODEL NUMBER

MARQUETTE
10-128/10-130

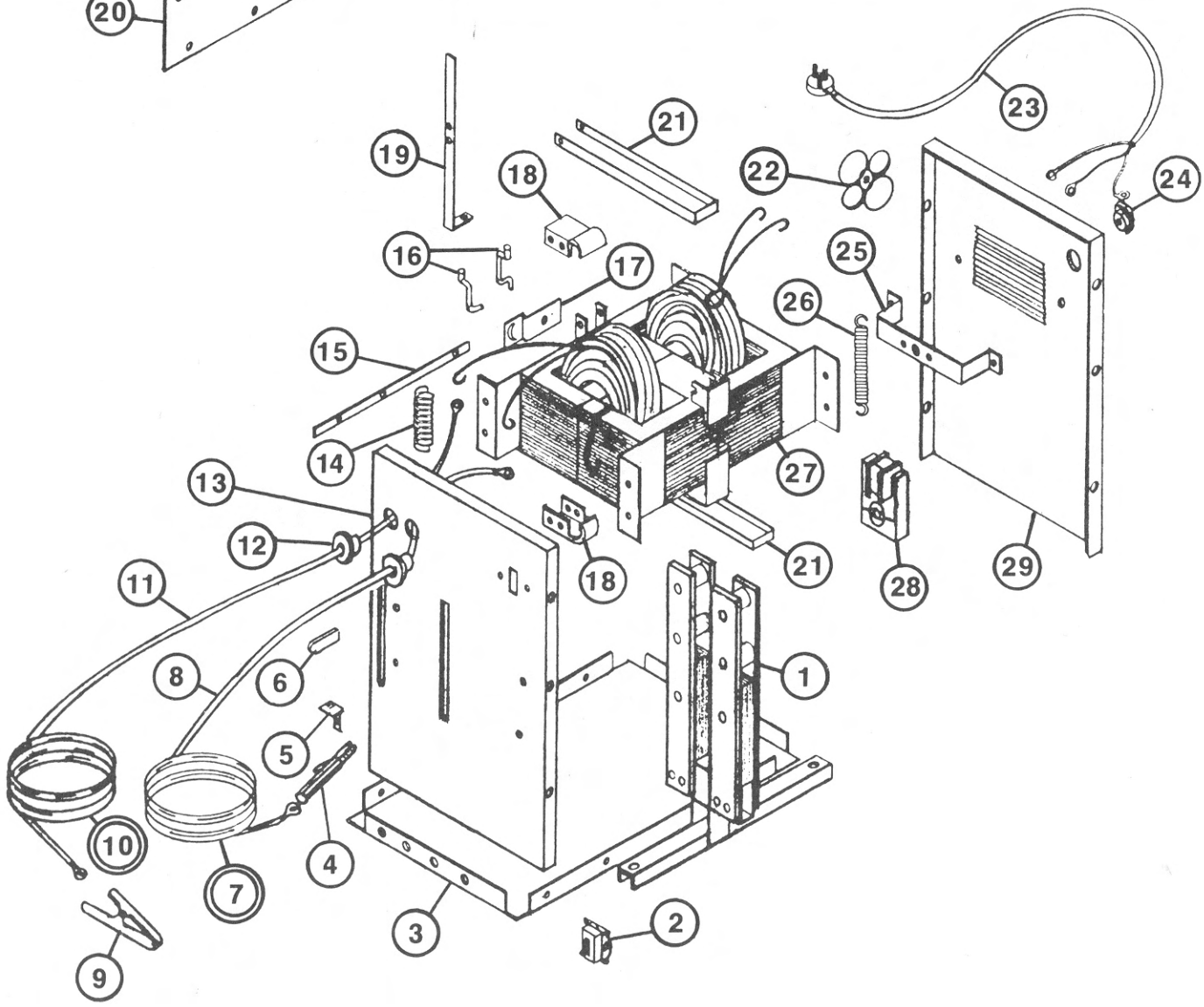
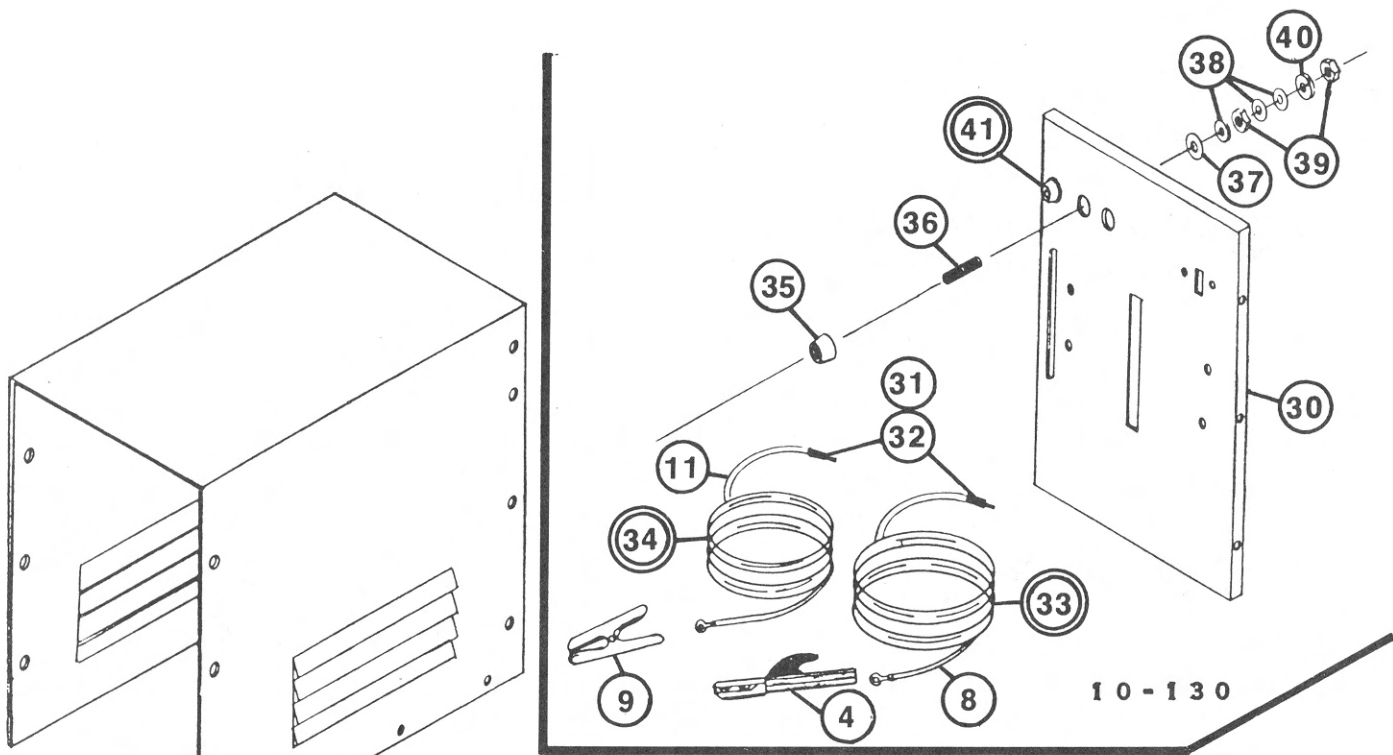
NAPA
83-308/83-309

REPAIR PARTS LIST FOR



ARC WELDERS

230/295 AMP



REPAIR PARTS LIST

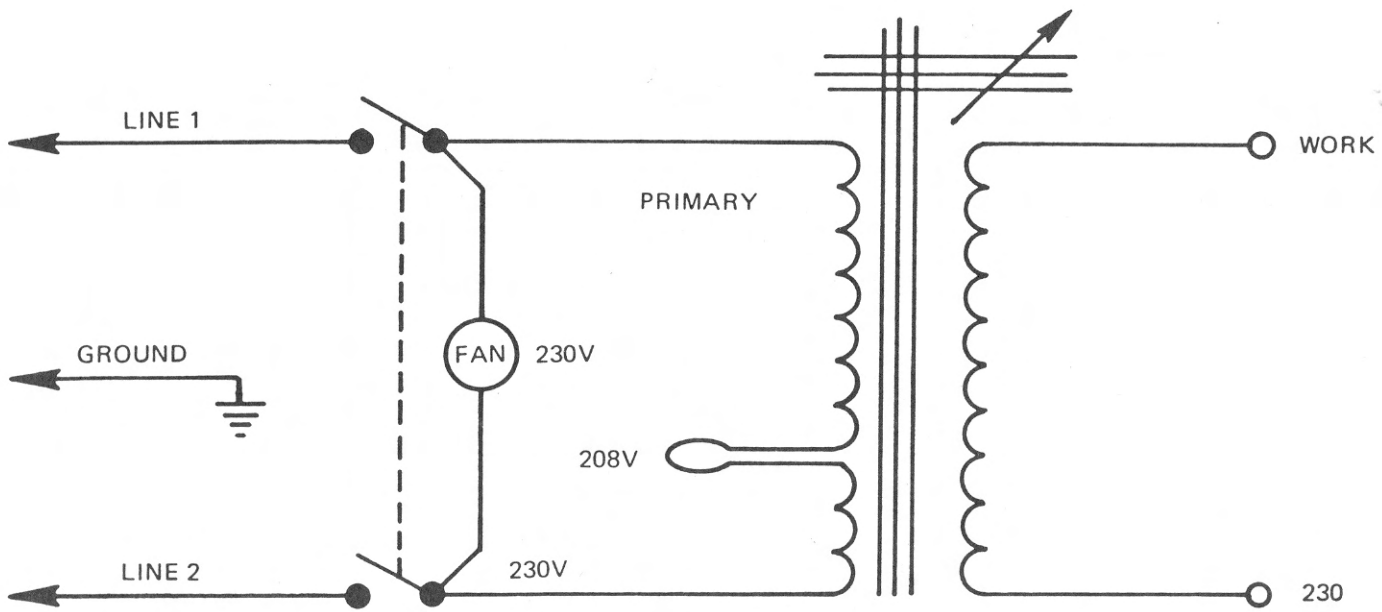
Code No.	Part No.	Description	No. Req'd
1	61783439	Shunt Assy.	1
2	62783416	Power Switch	1
3	61083429	Pan	1
4	68540705	Electrode Holder	1
5	65281398	Amp Control Handle	1
6	61383414	Vinyl Grip	1
7	63483437	Electrode Cable Assy. (Includes It. #4)	1
8	65783406	Electrode Cable Only	1
9	65169458	Work Clamp Assy.	1
10	63483421	Work Cable Assy. (Includes It. #9)	1
11	65783404	Work Cable Only	1
12	66540886	Strain Relief Bushing	2
13	61983440	Front Panel (Marquette - 10-128)	1
	61983441	Front Panel (NAPA - 83-308)	1
14	65883410	Spring	1
15	61081396	Lever	1
16	61081392	Rod	2
17	61081397	Lever Adjusting Plate	1
18	61083435	Cam Lever	2
19	61783568	Indicator Bar	1
20	61081384	Wrap	1
21	61083418	Strap	2
22	62683415	Fan Blade	1
23	63483408	Power Cord	1
24	66547407	Strain Relief Bushing	1
25	61081394	Fan Bracket	1
26	65883420	Shunt Spring	1
27	61783445	Transformer Assy. (10-128/83-308)	1
	61783444	Transformer Assy. (10-130/83-309)	1
28	62883409	Fan Motor	1
29	61081379	Back Panel (Marquette)	1
	61081378	Back Panel (NAPA)	1
30	61983442	Front Panel (Marquette - 10-130)	1
	61983443	Front Panel (NAPA - 83-309)	1
31	61181380	Cable Plug	2
32	61181385	Sleeve	2
33	63483438	Electrode Cable Assy. (Includes It. #4)	1
34	63483405	Work Cable Assy. (Includes It. #9)	1
*35	61381334	Terminal Nut	3
*36	61181344	Terminal	3
*37	61381335	Washer	3
*38	69941026	Washer	9
*39	69983523	Nut	6
*40	69946751	Lockwasher	3
41	81700024	Terminal Kit (3 complete terminals)	1

*Included in Terminal Kit #81700024.

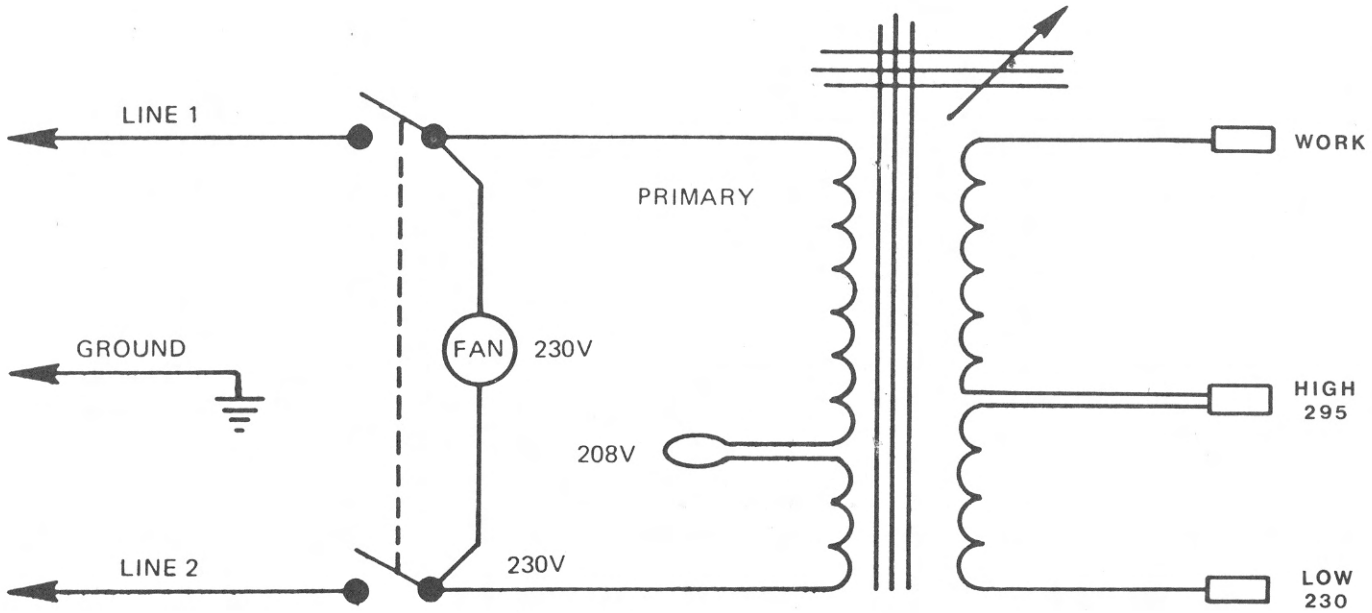
NUMERICAL PART LISTING

Part No.	Code No.	Part No.	Code No.	Part No.	Code No.
61081378	29	61383414	6	63483437	7
61081379	29	61783439	1	63483438	33
61081384	20	61783444	27	65169458	9
61081392	16	61783445	27	65281398	5
61081394	25	61783568	19	65783404	11
61081396	15	61983440	13	65783406	8
61081397	17	61983441	13	65883410	14
61083418	21	61983442	30	65883420	26
61083429	3	61983443	30	66540886	12
61083435	18	62683415	22	66547407	24
61181344	36	62783416	2	68540705	4
61181380	31	62883409	28	69941026	38
61181385	32	63483405	34	69946751	40
61381334	35	63483408	23	69983523	39
61381335	37	63483421	10	81700024	41

ORDER BY PART NUMBER, NOT BY CODE NUMBER



10-128 / 83-308 WIRING DIAGRAM



10-130 / 83-309 WIRING DIAGRAM

