

# PIPELINER WIRING DIAGRAM M20464 REV: A

## ENGINE CONTROL UNIT CONNECTOR DETAIL

CONTROL PANEL COMPONENTS SHOWN AS VIEWED FROM REAR.

\*LEADS CONNECTED TO ENGINE CONTROL UNIT, SEE DETAIL

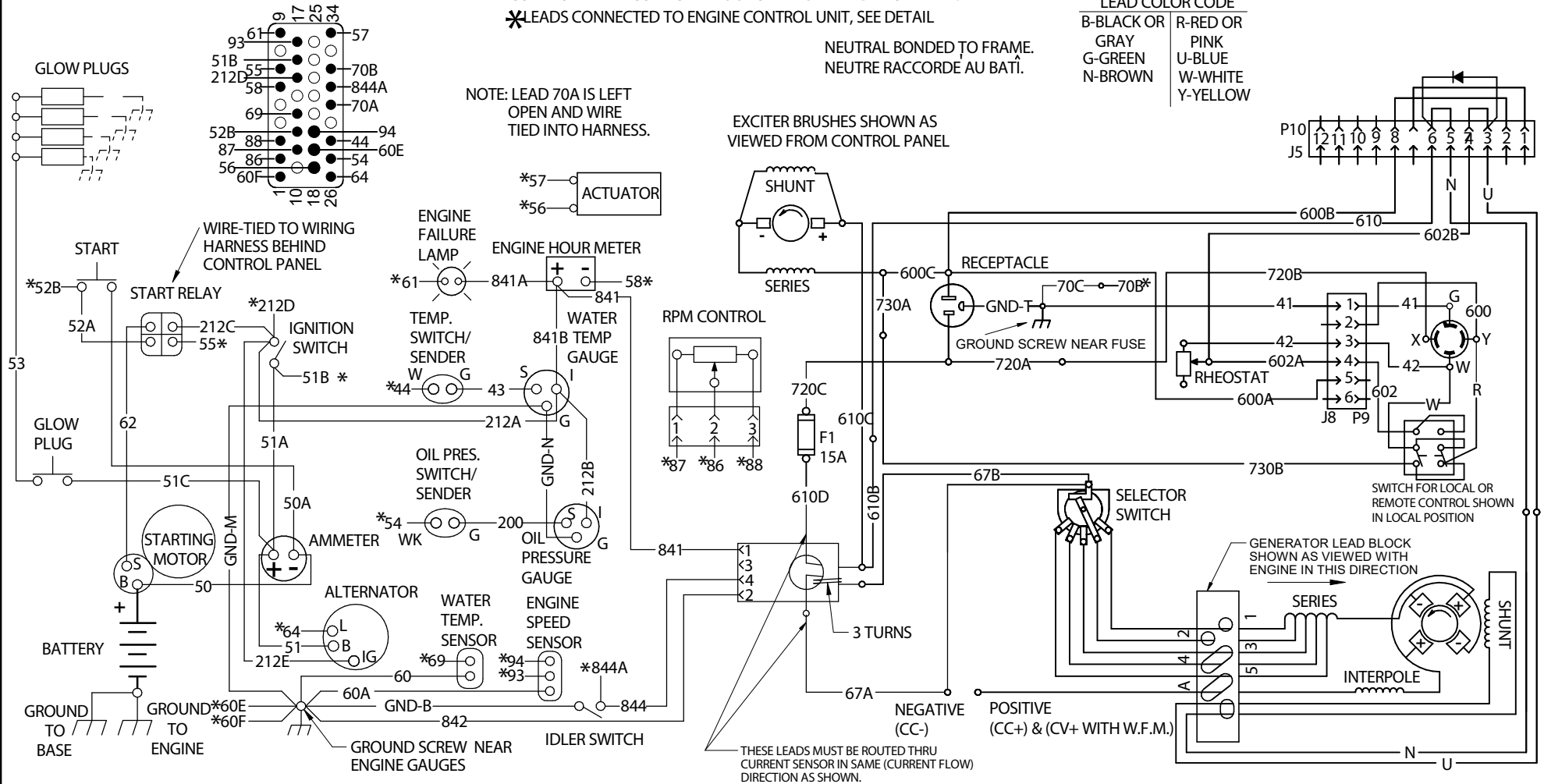
### LEAD COLOR CODE

B-BLACK OR GRAY	R-RED OR PINK
G-GREEN	U-BLUE
N-BROWN	W-WHITE
	Y-YELLOW

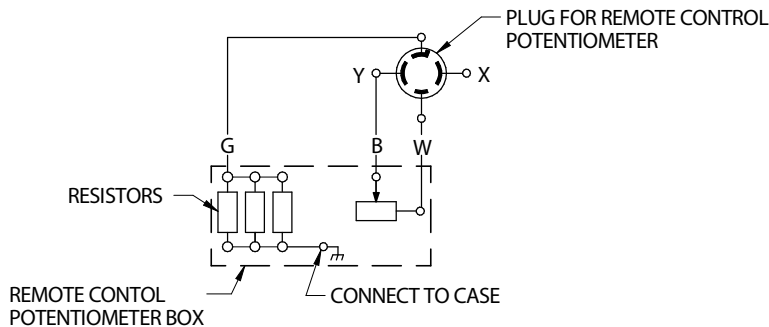
NEUTRAL BONDED TO FRAME.  
NEUTRE RACCORDE AU BATI.

NOTE: LEAD 70A IS LEFT OPEN AND WIRE TIED INTO HARNESS.

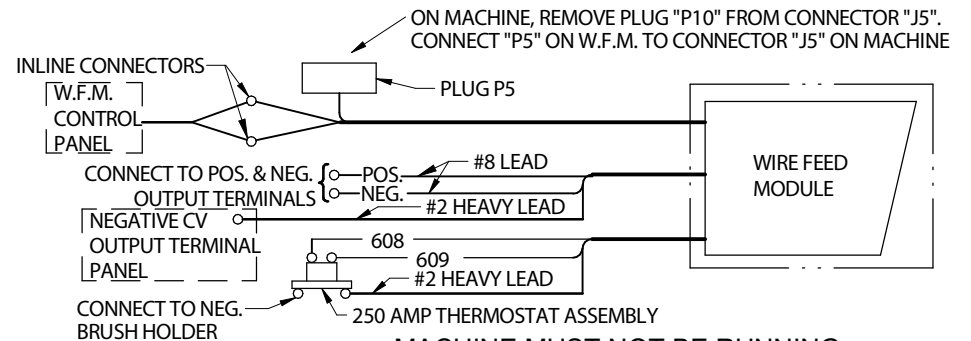
EXCITER BRUSHES SHOWN AS VIEWED FROM CONTROL PANEL



## K924-5 REMOTE CONTROL (OPTIONAL)



## WIRE FEED MODULE (OPTIONAL)



MACHINE MUST NOT BE RUNNING WHEN MAKING THESE CONNECTIONS. 12/21