

# P A P R

## POWERED AIR PURIFYING RESPIRATORS



EuropurePLUS™

LE FACE SHIELD

EuropurePLUS™

CLEAR

EuropurePLUS™

5500 LS

ZEPHYR LS

FLIP'AIR LS

[www.lincolnelectric.eu](http://www.lincolnelectric.eu)

**LINCOLN**<sup>®</sup>  
**ELECTRIC**

# LINCOLN ELECTRIC RESPIRATORY PROTECTION SOLUTION – PAPR

## EuropurePLUS™ RANGE TH3 Class

### Versatile protection with added value and modularity!

Ergonomic and smart protection. Fully integrated safety, with respiratory, head, eye and skin protection options. Designed to work together for maximum comfort.



**NEW!**

**LE FACE SHIELD**

see page 3

GRINDING, BRAZING, OXYFUEL CUTTING

HARD HAT

**NEW!**

**CLEAR**

see page 6

GRINDING, BRAZING, OXYFUEL CUTTING

**5500 LS**

see page 9

MMA, MIG/MAG, GRINDING

## Zephyr LS / Flipair 4500 LS TH2 Class

Discover a complete solution designed to protect welders in the most effective way.



**ZEPHYR LS**

see page 21

MMA, MIG/MAG

**FLIP'AIR LS**

see page 21

MMA, MIG/MAG, GRINDING

# EuropurePLUS™ LE FACE SHIELD

## POWERED AIR PURIFYING RESPIRATOR TH3 Class

**NEW!**

The EuropurePLUS™ LE FACE SHIELD Powered Air Purifying Respirator features a smart blower system, integrated Professional **Face Shield - Dual Coating**. Air flow direction can be changed with built-in wind direction adjuster for optimum comfort.

Helmet weight: 120g

**GRINDING, BRAZING,  
OXYFUEL CUTTING**



### What's Included

- EuropurePLUS™ LE FACE SHIELD with Powered Air purifying Respirator
- 1 Pre-Filter
- 1 P3 Filter
- Lithium Ion Battery
- 1 Spark Screen
- Battery Charger
- Hose with Cover
- Padded Belt
- Headcovering
- Shoulder Straps
- Airflow Indicator
- Duffle Bag
- Face shield SHADE 5

**90%  
THICKER**

than a  
traditional  
face shield

**AIR FLOW  
DIRECTION  
ADJUSTMENT**



**SMART  
BLOWER SYSTEM**

see page 13

**EUROPURE PLUS™  
LE FACE SHIELD**  
(including the blower)

W403679

EN 166:2022 EN 12941:1998  
+ A1:2003 + A2:2008

**CE Certified**  
(EU) 2016/425 (PPE) 2011/65/EU (ROHS)



Blower

## Face shield CLEAR

- High-resolution clear vision
- Anti-scratch lens
- Enhanced protection
- High density clear polycarbonate lens
- No distortion of the vision
- High light transmittance
- Good wear resistance



**CLEAR LENS**

WP403679-1

Shade number of **ultraviolet filter** with good color recognition : **3-1,2**

Optical class : **1**

**High Density Impact Resistant Lens** protects against high velocity impacts

**Premium Polycarbonate Lens** has excellent optical clarity for clear, undistorted vision

Resistance for medium energy impact: **B**

**Shade 5 IR Lens** provides infrared light protection for grinding, brazing or cutting applications



## Face shield SHADE 5

- High-resolution
- Anti-scratch lens
- No distortion of the vision
- High light transmittance
- Good wear resistance



**LENS SHADE 5**

WP403679-2

# Advanced Headgear

EuropurePLUS™ **LE FACE SHIELD**

- Adjustable headband
- Multi-axis headgear headgear, and the rear is infinitely adjustable to meet the needs of different head circumferences (distance, tightness / looseness, top of head fit, rotation force and rotation range)
- Cushioned Headgear eliminates pressure points and evenly distributes face shield weight for all day comfort



**EASY** forward  
and backward  
slide  
**ADJUSTMENTS**

**VERTICAL  
POSITION  
LOCK**



# Comfortable Headcovering

- The fabric has good water resistance and flame retardancy, and good sealing performance, ensuring that a micro-positive pressure state is formed in face shield
- Flame Retardant Cotton and water resistance with super soft seal
- Easily replaceable via hook & loop seal

# EuropurePLUS™ CLEAR

## POWERED AIR PURIFYING RESPIRATOR TH3 Class

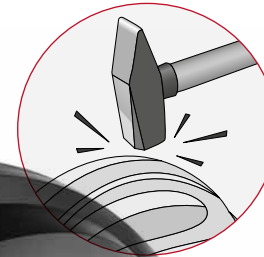


The **EuropurePLUS™ CLEAR** modern design answer to impact protection with **High-impact resistance**.

The EuropurePLUS™ CLEAR combines face coverage with wide field of view. Air flow direction can be changed with built-in wind direction adjuster for optimum comfort.

Helmet weight: 792g

**GRINDING, BRAZING,  
OXYFUEL CUTTING**



**HIGH-IMPACT  
RESISTANCE**  
HEAD PROTECTION



Blower

### What's Included

- **EuropurePLUS™ CLEAR with Powered Air purifying Respirator**
- 1 pc Pre-Filter
- 1 pc P3 Filter
- Lithium Ion Battery
- 1 pc Spark Screen
- Battery Charger
- Hose with Cover
- Padded Belt
- Headcovering
- Shoulder Straps
- Airflow Indicator
- Duffle Bag



**SMART  
BLOWER SYSTEM**

see page 13

**AIR FLOW DIRECTION  
ADJUSTMENT**

**EUROPURE PLUS™  
CLEAR**  
(including the blower)

W403678

EN 397:2012+A1:2012 EN 166:2022  
EN 12941:1998 + A1:2003 + A2:2008

**CE Certified**

(EU) 2016/425 (PPE) 2011/65/EU (ROHS)

# Face shield CLEAR

- Clear Polycarbonate
- Anti-scratch lens
- High-resolution clear vision
- No distortion of the vision
- High light transmittance
- Enhanced protection High density clear polycarbonate lens
- Good wear resistance

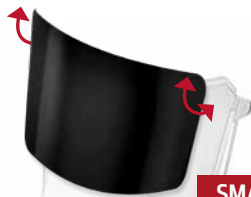


CLEAR LENS

WP403678-10

# Lens shade 5

- Can be added to the transparent visor
- High-intensity visor
- Against UV/IR radiation



SMALL LENS SHADE 5 with pivot

WP403678-16



BIG LENS SHADE 5

WP403678-17

# HEAD PROTECTION

- High-impact resistance
- Compact shape
- Balanced center of gravity

- Protection against **droplets and splashes** of liquids : **3**
- Protection against **molten metals and hot solids** : **9**
- Resistance to **medium energy impact** : **B**
- Resistance to **high speed particles** at extremes of temperature : **T**

- **Shock absorption** capacity up to 5 kN
- **Penetration** resistance
- **Flame** resistance
- **Chinstrap** resistance up to 25 daN
- Resistance to **penetration at extreme temperatures** (low and high): Resistance to the risks of penetration at extreme temperatures, whether very cold or extremely hot
- Resistance to **lateral deformation**
- Resistance to **molten metal splashes**



EuropurePLUS™ CLEAR

# Advanced Headgear

EuropurePLUS™ CLEAR

- Adjustable headband
- Multi-axis headgear headgear, and the rear is infinitely adjustable to meet the needs of different head circumferences (distance, tightness / looseness, top of head fit, rotation force and rotation range)
- Cushioned Headgear eliminates pressure points and evenly distributes face shield weight for all day comfort



**EASY** forward  
and backward  
slide  
**ADJUSTMENTS**

**VERTICAL  
POSITION  
LOCK**



## Comfortable Headcovering

- The fabric has good water resistance and flame retardancy, and good sealing performance, ensuring that a micro-positive pressure state is formed in face shield
- Flame Retardant Cotton and water resistance with super soft seal
- Easily replaceable via hook & loop seal



# EuropurePLUS™ 5500 LS

## POWERED AIR PURIFYING RESPIRATOR TH3 Class

The EuropurePLUS™ 5500 LS Powered Air Purifying Respirator features a smart blower system, integrated grind shield & side windows and an **extra large auto-darkening lens** with our exclusive **light shade technology**.

Helmet weight: 793g

**MMA, MIG/MAG,  
GRINDING**



### What's Included

- EuropurePLUS™ 5500 LS with Powered Air purifying Respirator
- 5pcs front cover lens
- 2pcs inner cover lens
- 1 set side lens cover
- 2 pcs Pre-Filter
- 2 pcs P3 Filter
- Lithium Ion Battery
- 2 pcs Spark Screen
- Battery Charger
- Hose with Cover
- Padded Belt
- Headcovering
- Shoulder Straps
- Airflow Indicator



- Duffle Bag
- Bandana
- Sticker Planch

**MAXIMISING  
FIELD OF  
VIEW**



**EUROPURE PLUS™  
5500 LS**  
(including the blower)

W403676



Blower

**SMART  
BLOWER  
SYSTEM**

see page 13

EN 175:1997-08 EN 166:2002-04  
EN 169:2003-02 04 EN 379:2003+A1:2009  
EN 12941: 1998 + A1: 2003 + A2: 2008

**CE Certified**

(EU) 2016/425 (PPE) 2011/65/EU (ROHS)



EuropurePLUS™ 5500 LS

IMPROVES **VISIBILITY**

REDUCES **EYE STRAIN**

PROVIDES A BETTER, CLEARER VIEW **OF THE WELDING PUDDLE**

## Light Shade Technology



Light Shade Welding Filter

Previous Welding Filter



## Perfect 1/1/1/1 Optical Clarity

<p><b>Eliminating Distortion</b></p>	<p><b>Removing Blurriness</b></p>
<p><b>Uniform Shade</b></p>	<p><b>Consistent Angle Performance</b></p> <p><b>Consistent Shade at all Angles</b></p>

# Extra Large Auto-Darkening Lens

EuropurePLUS™ 5500 LS

The **8 025 mm<sup>2</sup>** auto darkening lens provides a large field of view to increase versatility and operator control.



## MAXIMISING FIELD OF VIEW

The integrated clear grind shield and shade 5 side windows increase field of view in both the open and closed positions to offer productivity and safety enhancements.



Variable shades



Arc sensors



Optical class



Low TIG amps rated



Grind mode / Shade control



Lens switching speed



Comfort



Viewing area



Class



### EuropurePLUS™ 5500 LS

WELDING PROCESS	Optical Clarity Rating	Lens Switching Speed (sec)	Number of Arc Sensors	Variable Shade Range/Control	Optic Technology	Magnifying "Cheater" Capable Lens	Grind Mode Shade / Control	TIG Amp Rating	Light Sensitivity Control	Delay Control Dark to Light [sec]	Cartridge Size (mm)	Auto-Darkening Viewing Area [mm <sup>2</sup> ]
MMA, MIG MAG	1/1/1	1/25,000	4	5-13 Internal	Light Shade Technology	Yes	DIN4 / FLIP UP	≥ 2 A /DC ≥ 2 A /AC	Continuous	0,1-1,0 s fully adjustable	156 x 123 mm	8025

## Advanced Headgear

- Adjustable headband
- Multi-axis headgear headgear, and the rear is infinitely adjustable to meet the needs of different head circumferences (distance, tightness / looseness, top of head fit, rotation force and rotation range)
- Cushioned Headgear eliminates pressure points and evenly distributes face shield weight for all day comfort

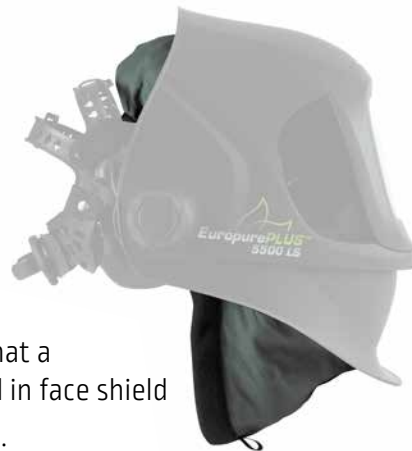
**EASY** forward  
and backward  
slide  
**ADJUSTMENTS**

**VERTICAL**  
**POSITION**  
**LOCK**



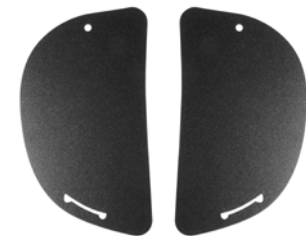
## Comfortable Headcovering

- Flame Retardant Cotton and water resistance with super soft seal.
- Good sealing performance ensuring that a micropositive pressure state is formed in face shield
- Easily replaceable via hook & loop seal.
- Two small drawstrings



## Side Window Covers

- Used to block all light from entering through the side windows.
- Lightweight & easy to install.



# EuropurePLUS™ BLOWER

EuropurePLUS™ BLOWER



## Superior Battery Life<sup>1</sup>

Operators can work a full shift (or more) without interruption. The PAPR comes with a standard battery that outpaces the battery life of competing systems.

Additionally, Lincoln Electric offers an extended battery which has a run time of up to 16 hours. This extra battery capacity provides flexibility when working overtime and is a safeguard when the system is not recharged overnight.

<sup>1</sup>Results based on low flow setting and 50% blocked filter.

see Optional Accessories on page 19

**Lincoln Electric  
Extended Battery**

16 hrs

**Lincoln Electric  
Standard Battery**

9 hrs

Competitor

6 hrs

# BLOWER Specification

EuropurePLUS™

Air flow rate	Low speed: 170+ lpm(6+cfm)
	High speed: 210+ lpm(7.4+cfm)
Powered by	Battery type: Rechargeable Li-ion Battery <i>[More effective]</i>
Battery	Battery duration: 9 hours <i>[Standard battery, 170+lpm]</i> 5-6 hours <i>[Standard battery, 210+lpm]</i>
	Battery charge time: 1 hour <i>[Standard battery]</i>
	Battery life: 550 charges
Filter Operating Temp.	Filter efficiency: ≥99.97%
	Offering particulate protection from dust and welding fume hazards. For use with all welding applications.
	Visible, Audible and Vibrate alarms to ensure safety.
	-5 °C ~ +55 °C [23 °F ~ 131 °F]
Storing Temp.	-10 °C ~ +55 °C [14 °F ~ 131 °F]
Operating Relative Humidity	< 90%
Storage Relative Humidity	< 85%
Head Covering	FR Flame Retardant
Weight	2.66 kg (mask + air flow system)
PAPR Certification	EN 12941 TH3 P R SL
Warranty - Blower Assembly	1 Year
Warranty - Helmet Auto Darkening Lens	2 years

# Multi-Component Filter System

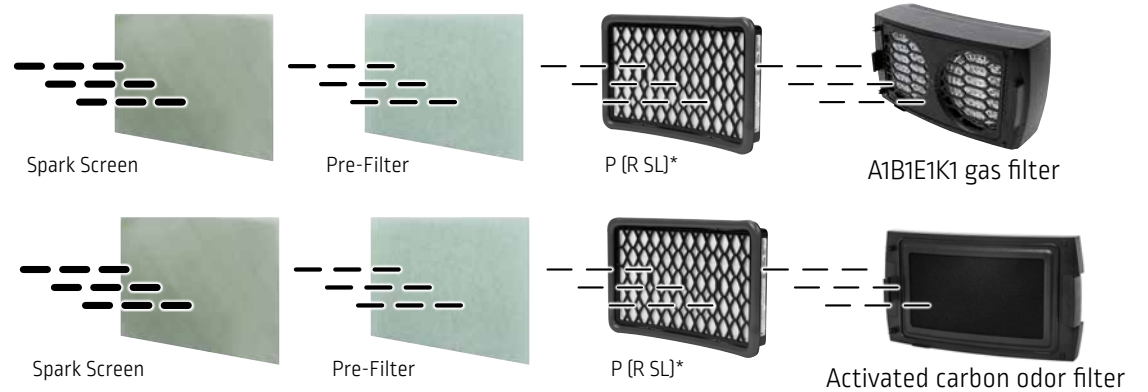
EuropurePLUS™

## TDS Filter

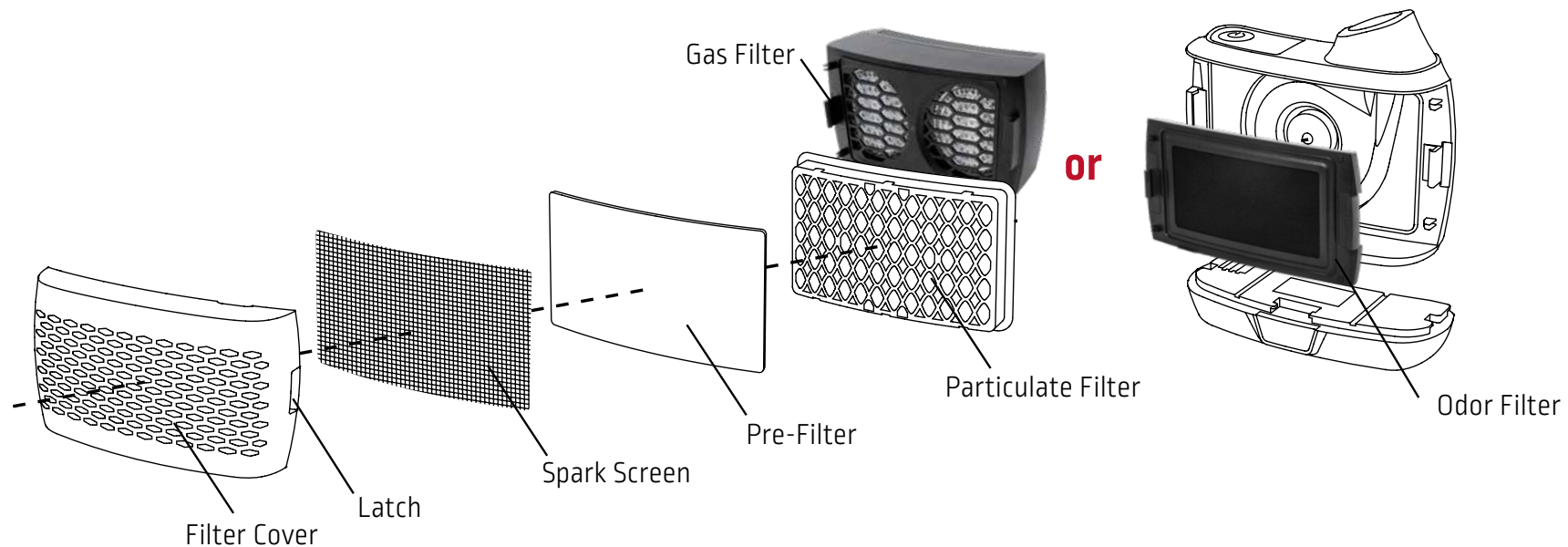
### Filter Combination :

The EuropurePLUS™ blower unit can only accommodate 2 filters. Please install all the filter components according to the image.

- P3 Particle filter + A1B1E1K1 Gas filter
- P3 Particle filter + Activated carbon odor filter



\* Particulates (R=replaceable, SL=test against sodium chloride and paraffin oil)



# Filter specification

EuropurePLUS™ BLOWER

	Odor Filter	P3 Particle Filter	Gas Filter
<b>Item</b>	WP403676-36	WP403676-17	WP403676-30
<b>Suitable PAPR</b>	EuropurePLUS™		
<b>Protection against</b>	Eliminates odor when not using gas filter	Solid and liquid particles (including those containing oil), dusts, mists, and fumes from sanding, welding, grinding, cutting, drilling metal, mist droplets from spraying and organic vapors and gases	Organic and inorganic acidic ammonia gas
<b>Weight</b>	138g	105g	829g
<b>Size</b>	208 x 117 x 30 mm	175 x 112 x 35 mm	223 x 117 x 85 mm
<b>Filter box type</b>	Activated Carbon Odor filter	P3 Particle Filter	A1B1E1K1
<b>Application operation</b>	Assembly, facility maintenance, grinding, machine operation, welding, painting		
<b>Application industry</b>	Chemicals, mining, oil, natural gas		
<b>Usage instructions</b>	<b>The odor filter must always be used with the Particle filter, pre-filter and spark screen. Do not use the odor filter alone.</b>	P3 Particle filter permits a filtration efficiency of 99,997%	This gas filter must be always used together with EUROPURE PLUS 5500LS particle filter.
<b>Warning</b>	Read the instruction before use. The filter assembly must be installed properly as per instruction guide. Cannot be cleaned. Replace with new ones if damaged or dirty.		

## Markings on the Equipment

<b>Marking</b>	Odor filter (Carbon)	P (R SL)	A1B1E1K1
<b>Part No.</b>	WP403676-36	WP403676-17 (individually) or WP403676-32 (pack of 5 pcs)	WP403676-30
<b>Color Code</b>		White	Brown / Grey / Yellow / Green
<b>Protection Against</b>	Odor	Particulates (R=replaceable, SL=test against sodium chloride and paraffin oil)	Organic gases / Inorganic gases / Sulfur dioxide, acidic gases / Ammonia and organic ammonia derivatives
<b>Certification</b>		CE2849 The particle filter are marked according to EN12941:1998. UKCA0194	CE2849 The gas filter are marked according to EN12941:1998. UKCA0194



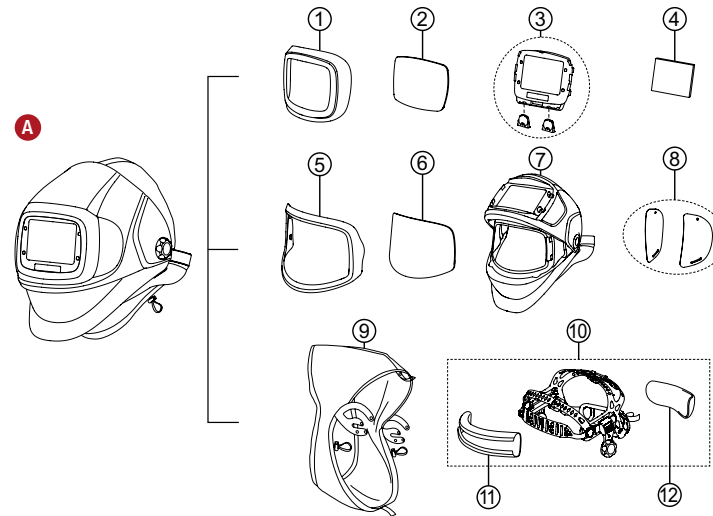
# Complete Systems and Replacements Parts

EuropurePLUS™

## Spare parts for PPAR

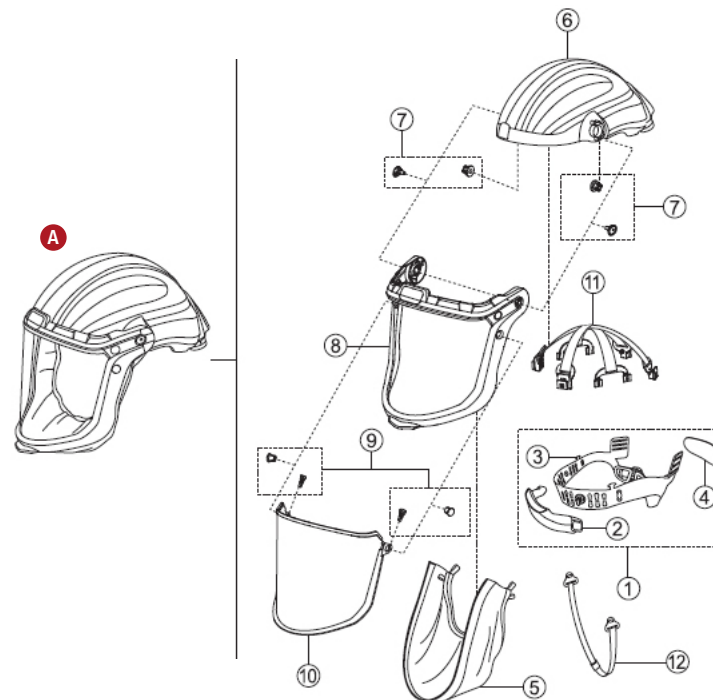
### EuropurePLUS™ 5500 LS

To order			
Description	Qty/pk	Reference	
<b>A</b> Helmet with Air Duct Assembly	1	WP403676-35	
① Front lens holder	1	WP403676-4	
② Outside cover lens (160.36 x 107.3 mm)	5	WP403676-5	
③ ADF cardtrigde	1	WP403676-6	
④ Inside cover lens (107 x 80 mm)	5	WP403676-7	
⑤ Grind lens holder	1	WP403676-8	
⑥ Grind lens (anti-fog, 223 x 129.8 mm)	5	WP403676-9	
⑦ Helmet shell with air duct	1	WP403676-10	
⑧ Side lens cover	2	WP403676-11	
⑨ Face seal	1	WP403676-12	
⑩ Headgear (Including sweatband & soft pad)	1	WP403676-13	
⑪ Sweatband	2	WP403676-14	
⑫ Soft pad	2	WP403676-15	
Velcro	1	WP403676-40	
Spring	1	WP403676-37	



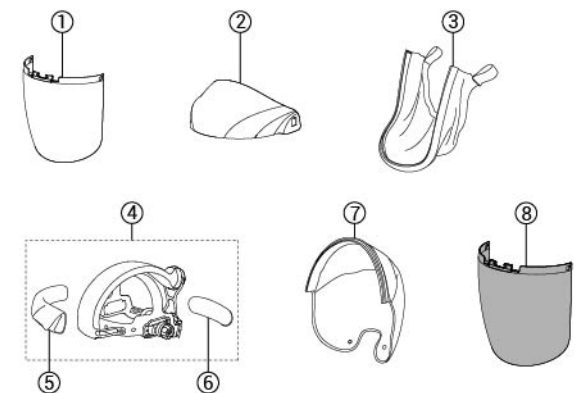
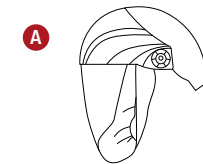
### EuropurePLUS™ CLEAR

To order			
Description	Qty/pk	Reference	
<b>A</b> Helmet with Air Duct Assembly	1	WP403678-15	
① Headgear	1	WP403678-1	
② Sweatband	1	WP403678-2	
③ Head suspension	1	WP403678-3	
④ Soft pad	1	WP403678-4	
⑤ Face seal	1	WP403678-5	
⑥ Headtop	1	WP403678-6	
⑦ Headtop buttons	1	WP403678-7	
⑧ Visor frame assembly	1	WP403678-8	
⑨ Visor frame buttons	1	WP403678-9	
⑩ Protective visor	1	WP403678-10	
⑪ Ribbon	1	WP403678-11	
⑫ Chin strap	1	WP403678-12	
Small lens shade 5	1	WP403678-16	
Big lens shade 5	1	WP403678-17	



### EuropurePLUS™ LE FACESHIELD

To order			
Description	Qty/pk	Reference	
<b>A</b> Helmet with Air Duct Assembly	1	WP403679-15	
① LE clear lens	1	WP403679-1	
② LE shell	1	WP403679-3	
③ LE sleeve	1	WP403679-4	
④ LE Headgear	1	WP403679-5	
⑤ Sweatband	1	WP403679-6	
⑥ Soft pad	2	WP403679-7	
⑦ LE Extended hood	3	WP403679-8	
⑧ LE lens shade 5	4	WP403679-2	

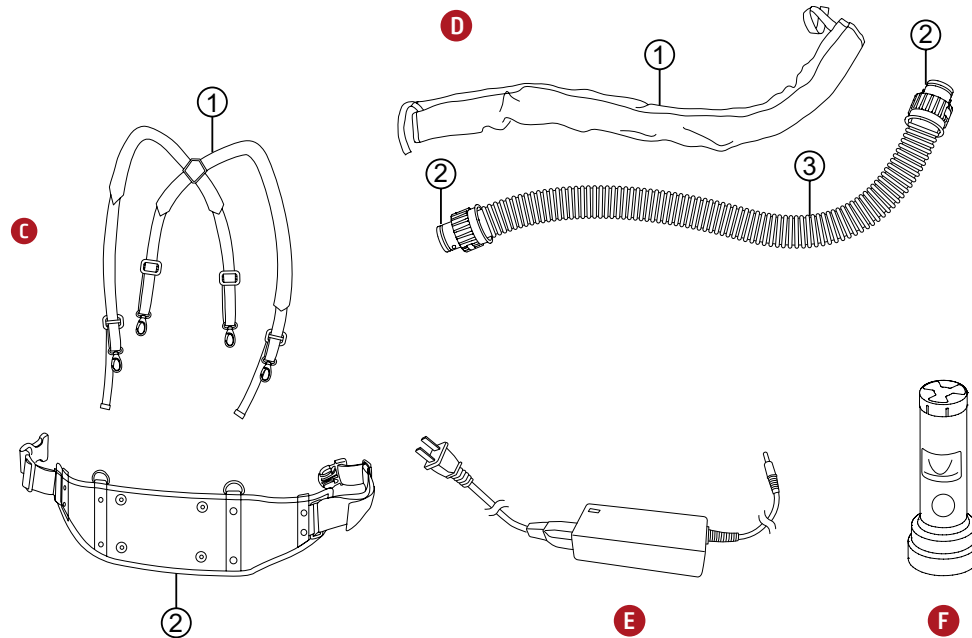
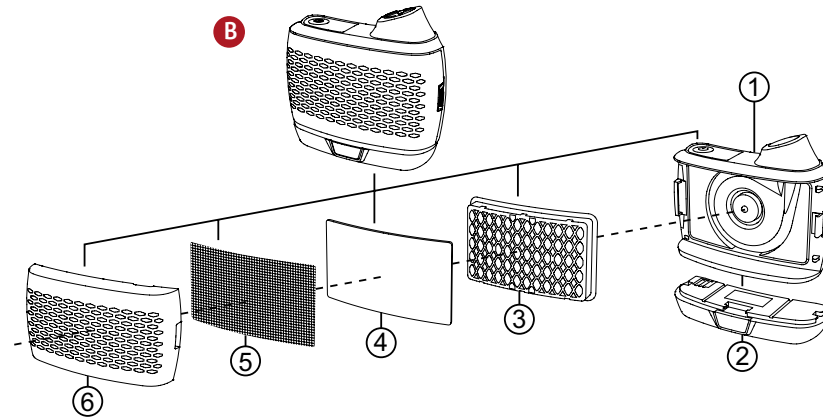


# EuropurePLUS™ BLOWER

EuropurePLUS™

To order			
	Description	Qty/pk	Reference
<b>B</b>	<b>Helmet with Air Duct Assembly</b>		
①	Body	1	WP403676-16
②	Fast-charging standard battery	1	WP403676-1
③	Particle filter (P3 filter)*	1	WP403676-17
	Particle filter (P3 filter)*	5	WP403676-32
④	Pre-filter	5	WP403676-18
⑤	Spark screen	10	WP403676-19
⑥	Filter cover	1	WP403676-20
	Gas filter	1	WP403676-21
	Gas filter A1B1E1K1*	1	WP403676-30
	Fast charging extended battery*	1	WP403676-2
	Odor filter*	1	WP403676-36
	Multi operator battery charger*	1	WP403676-39
<b>C</b>	<b>Wears</b>		
①	Shoulder strap	1	WP403676-22
②	Belt cushion (Including screws & washers)	1	WP403676-23
	Blower backpack*	1	WP403676-31
	Adjustable leather belt assembly*	1	WP403676-29
<b>D</b>	<b>Hose</b>		
①	Hose cover	1	WP403676-24
②	O-ring	2	WP403676-25
③	Hose (Including O-ring)	1	WP403676-26
	Quick connection hose (EuropurePLUS™ CLEAR)	1	WP403678-13
	Quick-connection hose extension*	1	WP403676-38
<b>E</b>	<b>Battery Charger</b>		
	Fast-charging battery charger	1	WP403676-3
<b>F</b>	<b>Airflow Indicator</b>		
	Airflow indicator EuropurePLUS™ 5500 LS + faceshield	1	WP403676-27
	Airflow indicator EuropurePLUS™ CLEAR	1	WP403678-14
<b>Others</b>			
	Duffle bag	1	WP403676-28

\* see Optional Accessories section



# EuropurePLUS™ OPTIONAL ACCESSORIES

EuropurePLUS™



## Fast-charging Extended battery

Features:

- ◆ Battery type : Rechargeable Li-ion Battery
- ◆ Battery duration : 15 hours (Low speed : 170+ lpm)  
9 hours (High speed : 210+ lpm)
- ◆ Battery charge time : 2 hours
- ◆ Battery life : 550 charges

**FAST-CHARGING  
EXTENDED BATTERY**

WP403676-2

Lincoln Electric  
Extended Battery

16 hrs

Lincoln Electric  
Standard Battery

9 hrs

\*Results based on low flow setting and 50% blocked filter.

## Multi-Operator PAPR Battery Charger

- ◆ Charge 4 Batteries LITHIUM ION at one time
- ◆ Charges in 3 hours
- ◆ Compatible with Standard and extended Battery
- ◆ BATTERY CHARGER INDICATOR: SWITCHING LED (RED - CHARGING, GREEN - CHARGING COMPLETE)
- ◆ Norm : CE 62368



**MULTI-OPERATOR PAPR  
BATTERY CHARGER**

WP403676-39



**FILTER TYPE:  
A1B1E1K1**

WP403676-30

**P3 PARTICLE  
FILTER**

WP403676-17

**Pack of 5 pcs.  
WP403676-32**



**ODOR FILTER**

WP403676-36



**QUICK-CONNECTION  
HOSE EXTENSION**

WP403676-38

# EuropurePLUS™ OPTIONAL ACCESSORIES

EuropurePLUS™

## Adjustable Leather Belt Assembly

Adjustable leather belt assembly secures EUROPURE PLUS 5500 LS air purifying blower to operators waist.

Features:

- ◆ Cushioned backpad for enhanced comfort
- ◆ Leather belt offers excellent durability against heat, spatter, sparks and more
- ◆ Slide adjustable fit allows operator to adjust tightness



**PAPR - ADJUSTABLE  
LEATHER BELT ASSEMBLY**

WP403676-29

# COMPILE YOUR SET

## Backpack

Replaces belt and shoulder straps to improve weight distribution and comfort.



**BACKPACK**

WP403676-31



# ZEPHYR LS / FLIP'AIR LS

## COMPLETE SOLUTION DESIGNED TO PROTECT WELDERS IN THE MOST EFFECTIVE WAY **TH2 Class**

Discover a complete solution designed to protect welders in the most effective way.

FLIP'AIR LS  
**MMA, MIG/MAG,  
 GRINDING**



### What's Included

With the ZEPHYR LS / FLIP'AIR LS solution, you will find in a rugged carry bag:

- ◆ The ZEPHYR or FLIP'AIR helmet,
- ◆ The ZEPHYR air flow system,
- ◆ A protected hose connection,
- ◆ A shoulder strap,
- ◆ A battery charger,
- ◆ An air flow-meter,
- ◆ One extra filter.



ZEPHYR LS  
**MMA, MIG/MAG**



**FLIP'AIR 4500 LS**  
 (including the blower)  
 W000403675

**ZEPHYR 4500 LS**  
 (including the blower)  
 W000403674

**AIR FLOW SYSTEM**

see page 26

EN 379:2003+A1:2009,  
 EN 175:1997, EN 12941:2009-02

**CE Certified**  
 [EU] 2016/425 [PPE] 2011/65/EU [ROHS]

# Autodarkening LCD filters with wide vision field.

ZEPHYR LS / FLIP'AIR LS



## Filter Advance 4500 LS - Infotrack shade 3/8-13:

The top-of-the-range solution for any application:

4 adjustment modes from an LCD screen with digital keys:

- ◆ Welding: variable shades 8-13, 4 optical sensors, sensitivity regulation and return to a clear shade.
- ◆ Grinding: filter activation in clear shade level 3 (except on FLIP'AIR with its flip-up front filter).
- ◆ Cutting, low current welding: adjustable shades 5 to 8 for low intensity TIG process, microplasma, oxy-fuel gas welding...
- ◆ "X mode": adjustable shade 3 to 8-13 with magnetic sensors for outside use or obscured arc welding

Infotrack system: provides useful information [current time - total welding time - alarm - temperature].



## Flow circulation

You can choose between:

- ◆ air flow from the top of the helmet **1**
- ◆ or a lateral flow coming from each side at the mix level **2** [only for ZEPHYR],
- ◆ or a mix of these two solutions.

These features ensure excellent welder comfort.

## FLEXTECH I

- ◆ Ergonomic Top headgear band
- ◆ Cushion: oversized comfort cushion provides unsurpassed comfort and stability
- ◆ Easily detachable and quick adjusting rail function



# The ZEPHYR LS / FLIP'AIR LS air flow system

ZEPHYR LS / FLIP'AIR LS

- This equipment includes an indication of the **chosen flow**, an indication of the **battery charge**, and **two alarms** in case of flow insufficiency: **a tone and a vibration**. This is important for the welder who is often in a noisy environment. A specific system **sends the tone through the hose** to bring the sound to the welder.
- The belt, as well as the shoulder strap, is made in **flame retardant material**.
- The belt includes a cushion to ensure a high comfort level.
- **Disconnecting the battery is easy** with only one button to push. It is a **lithium battery with an 8-hour lifetime duration**. A stronger one can be put in place for special cases with **14-hour duration ±5%** (on request). No need to fully discharge the Li-Ion battery before recharging it.
- Opening the filter is simple by turning a quarter to the left. Two symbols indicate if it is locked or open, this is also indicated inside the filter box.

## Filter Combination :

Inside, 3 kinds of filters can be included.

- One pre filter against the biggest particles
- One particle filter against the dust (> 0.3 micron)
- One carbon filter against the fumes and the odour



The helmet includes a quick connection allowing flexibility when the welder moves his head



The whole system is water proofed

Protected with an outer covering [75% cotton, 25% Kevlar]

Inside, 3 kinds of filters can be included.

# Specification

ZEPHYR LS / FLIP'AIR LS

		ZEPHYR 4500 LS	FLIP'AIR 4500 LS
Switching time dark to light		10 positions from 0.1 s to 1 s (setting per digital key)	
Delay setting		10 positions (setting per digital key)	
Mode	Welding	Yes shade 8 to 13 per digital key	
	Grinding	Yes shade 3 (per external button) For FLIP'AIR flip-up LCD for grinding	
	Cutting	Yes shade 5 to 9 per digital key	
	X mode*	Yes	
	Infotrack system**	Yes	
Constant UV/IR protection		Yes	
Battery type		2 lithium CR2450 3 Volts	
Mix power (battery/cell)		Yes	
Temperature scale		Use : -5 °C to +55 °C - Storage : -30 °C to +70 °C	
Weight		Flip'Air 938 g (helmet), Zephyr 510 g (helmet) + 1760 g (air flow system)	
Standard		LCD filter: CE EN 379 - Helmet: CE EN 175	

\* X-mode: this mode allows welding in outdoor conditions or with very low arc current  
 \*\* Infotrack system: provides useful information (current time - total welding time - alarm - temperature)

To order		
Package (helmet + airflow system + LCD filter)	W000403674	W000403675
LCD filter	W000402681	W000402682



Class



Comfort



Arc sensors



Optical class



Respiratory protection



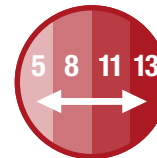
Grind mode / Shade control



Lens switching speed



Variable shades



Viewing area



X-mode



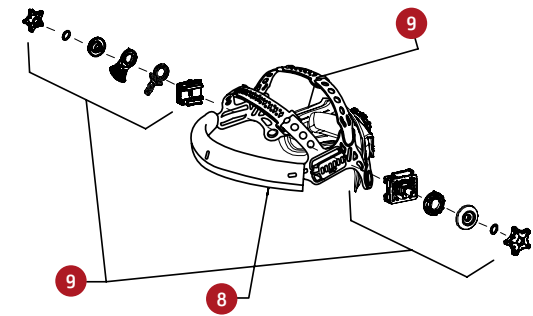
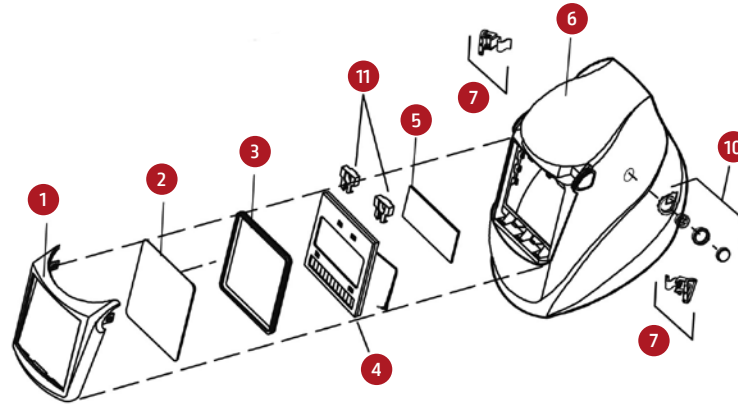


# Spare parts for ZEPHYR LS / FLIP'AIR LS

ZEPHYR LS/FLIP'AIR LS

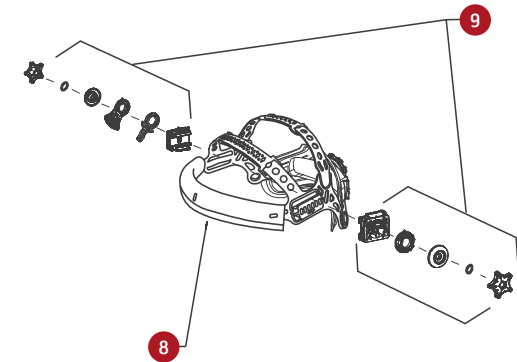
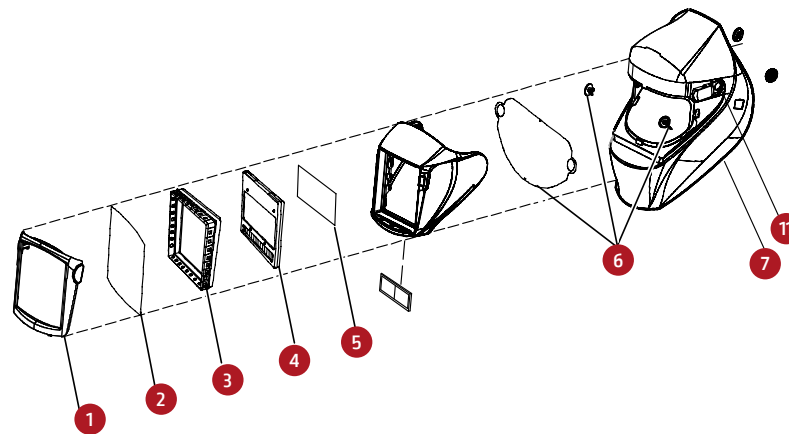
## ZEPHYR LS 4500

To order	
1 - Front Lens Holder	W000272828-1
2 - Outside Cover lens	W000261993
3 - Gasket, Lens Assembly	W000261992
4 - ADF cardtridge	W000402681
5 - Inside Cover lens	W000261994
6 - Replacement shell	W000402494
7 - Buttons, Front Lens Holder (L/R)	W000276258
8 - Sweatband	W000402690
9 - Headgear I	W000402692
10 - Kit external grinding button	W000378989
11 - Spare batteries [CR 2450 lithium]	W000260920



## FLIP'AIR LS









To order	
1 - Front Lens Holder	W000403674-1
2 - Outside Cover lens	W000375551
3 - Gasket for FLIP'AIR LS	W000403675-6
4 - ADF cardtridge	W000402682
5 - Inside Cover lens	W000261994
6 - Grinding cover kit	W000374799
7 - Replacement shell	W000403675-SP-1
8 - Sweatband	W000402690
9 - Headgear I	W000402692
10 - Spare batteries [CR 2450 lithium]	W000260920
11 - HINGE X2	W000403675-7

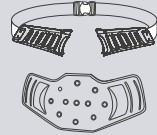
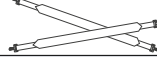
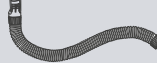






# Spare parts for BLOWER

ZEPHYR LS / FLIP'AIR LS

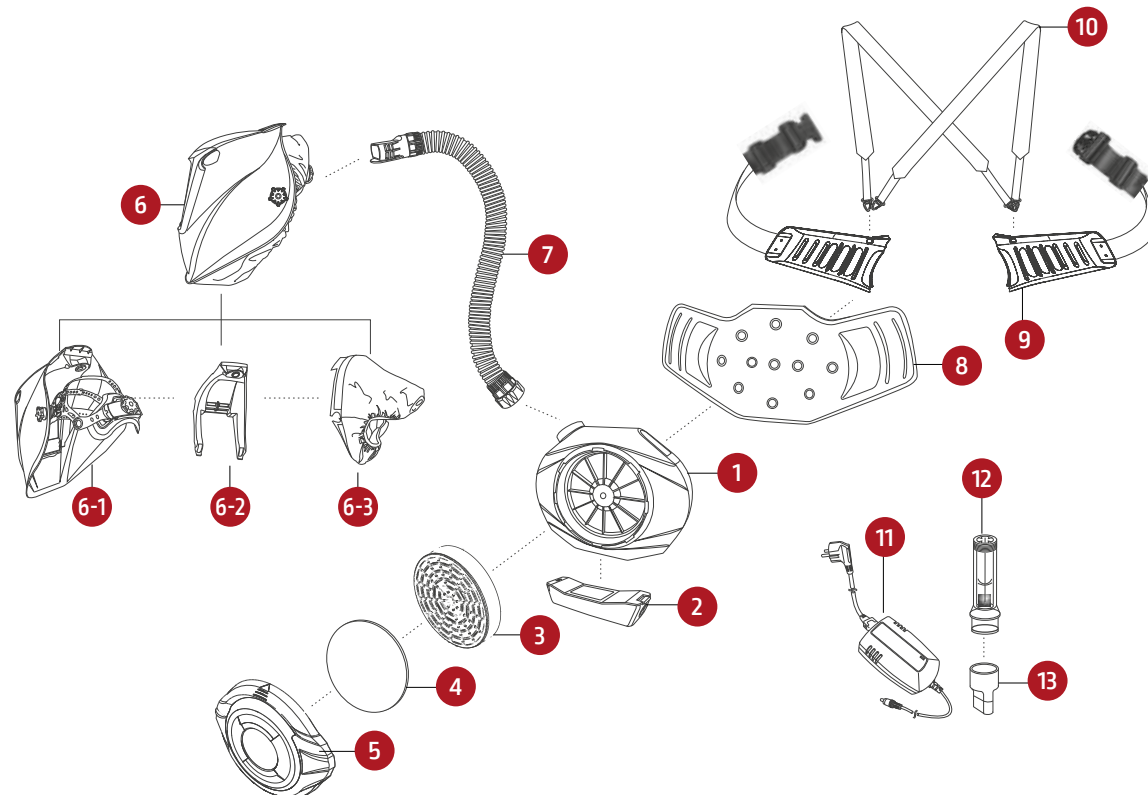
## ZEPHYR air flow system

To order		
	Air flow system body	On demand
	Prefilter Z	W000271207
	Filter cover	On demand
	Flow indicator	On demand
	Particle filter (P3)	W000271208
	2021 Battery	W000271210-1
	2021 Battery charger	W000271211-1
	Flow indicator connector	On demand

To order		
	Belt and Belt cushion	W000271203
	Shoulder strap	W000271204
	Air hose	W000271205

To order		
<b>Option Item</b>		
	Helmet Shell	W000402494 (ZEPHYR) W000403675-SP-1 (FLIP AIR)
	Green protection flip air	W000382676
	Odor filter	W000271209
	Air hose cover	W000271206

- 1. Air flow system body
- 2. Battery
- 3. Particle Filter (P3)
- 4. Prefilter
- 5. Filter cover
- 6. Helmet Shell
- 6-1. Helmet
- 6-2. Blow Hood
- 6-3. Hood
- 7. Air hose
- 8. Belt cushion
- 9. Belt set
- 10. Shoulder strap
- 11. Battery charger
- 12. Flow indicator
- 13. Flow indicator connector





Europro PLUS<sup>™</sup>  
5500 LS

ELDLINE<sup>™</sup>  
Lincoln Electric

#### **CUSTOMER ASSISTANCE POLICY**

The business of The Lincoln Electric Company® is manufacturing and selling high quality welding equipment, consumables, and cutting equipment. Our challenge is to meet the needs of our customers and to exceed their expectations. On occasion, purchasers may ask Lincoln Electric for information or advice about their use of our products. Our employees respond to enquiries to the best of their ability based on information provided to them by the customers and the knowledge they may have concerning the application. Our employees, however, are not in a position to verify the information provided or to evaluate the engineering requirements for the particular weldment. Accordingly, Lincoln Electric does not warrant or guarantee or assume any liability with respect to such information or advice. Moreover, the provision of such information or advice does not create, expand, or alter any warranty on our products. Any express or implied warranty that might arise from the information or advice, including any implied warranty of merchantability or any warranty of fitness for any customers' particular purpose is specifically disclaimed.

Lincoln Electric is a responsive manufacturer, but the selection and use of specific products sold by Lincoln Electric is solely within the control of, and remains the sole responsibility of the customer. Many variables beyond the control of Lincoln Electric affect the results obtained in applying these types of fabrication methods and service requirements.

Subject to Change – This information is accurate to the best of our knowledge at the time of printing. Please refer to [www.lincolnelectric.eu](http://www.lincolnelectric.eu) for any updated information.

[www.lincolnelectric.eu](http://www.lincolnelectric.eu)

