

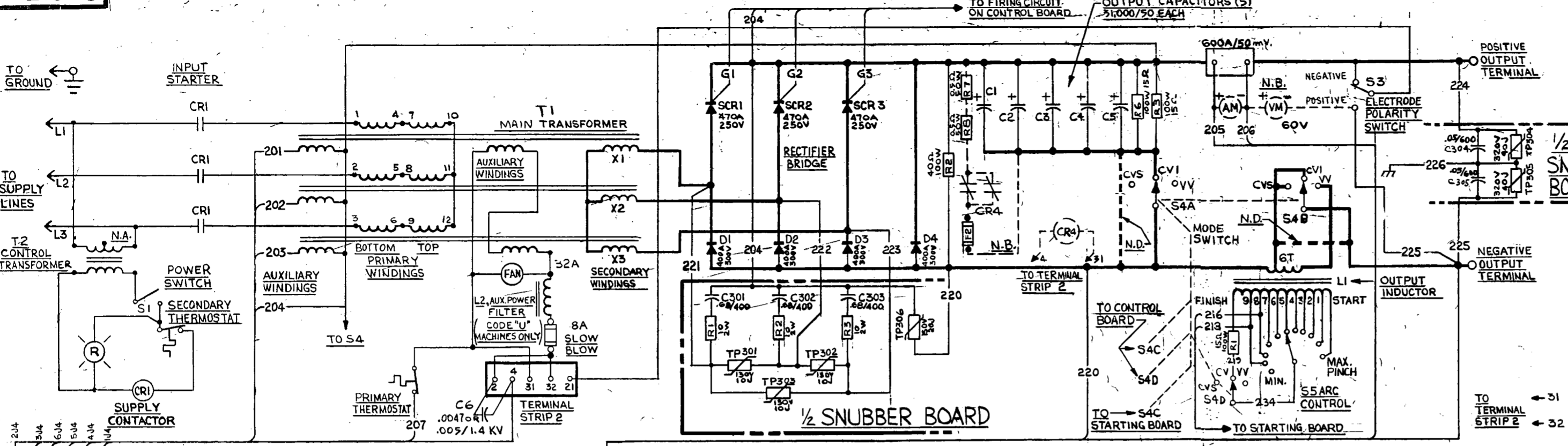
GENERAL INFORMATION

ELECTRICAL SYMBOLS PER E-1537  
 CAPACITORS = MFD/VOLTS  
 RESISTORS = OHMS / 1/2 WATT (UNLESS OTHERWISE SPECIFIED)  
 DIODES = 1 AMP / 400 VOLT (UNLESS OTHERWISE SPECIFIED)  
 OP AMPS = LM 124 (UNLESS OTHERWISE SPECIFIED)  
 = COMMON CONNECTION  
 O-A THRU M = TEST POINTS

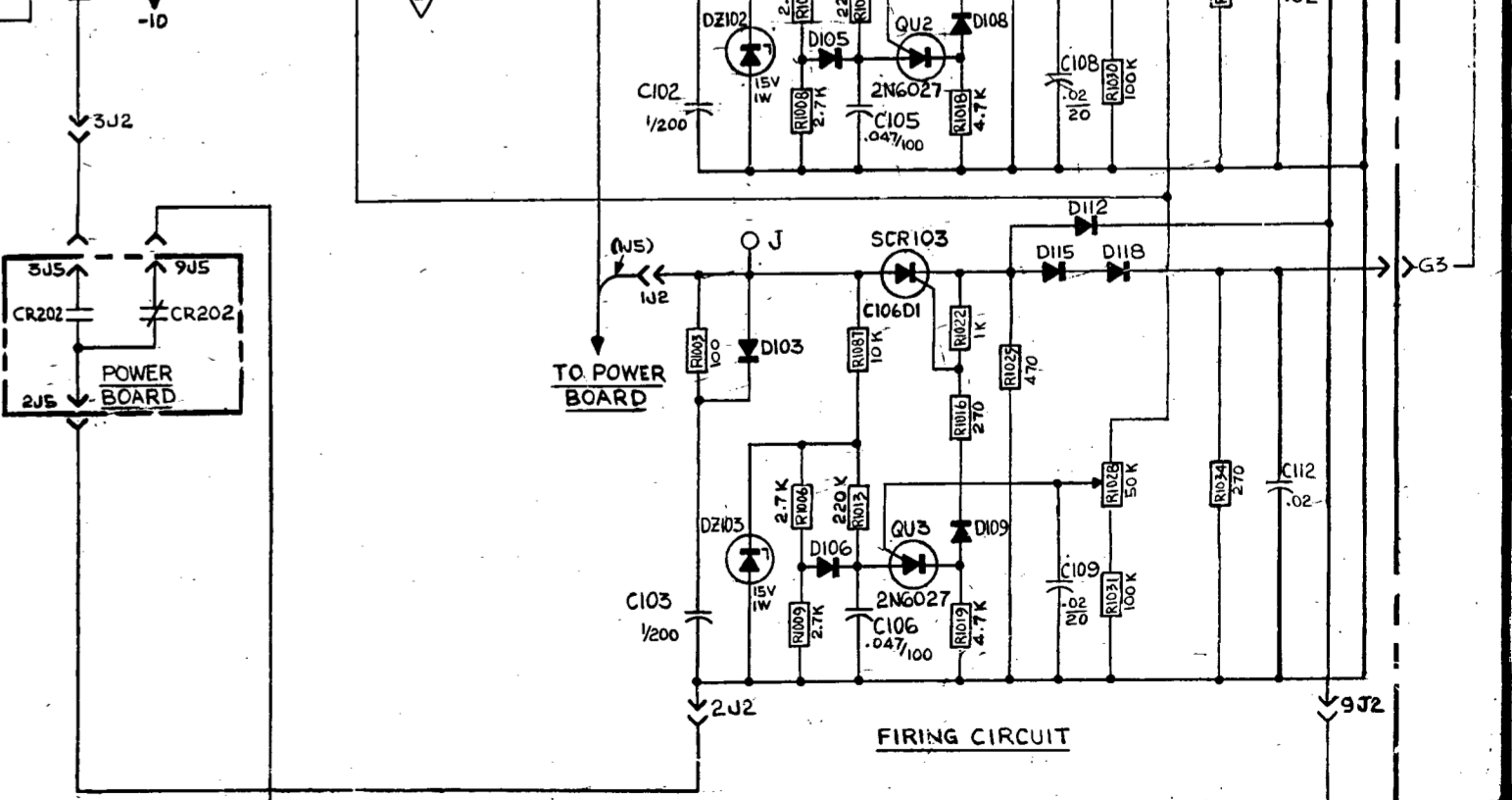
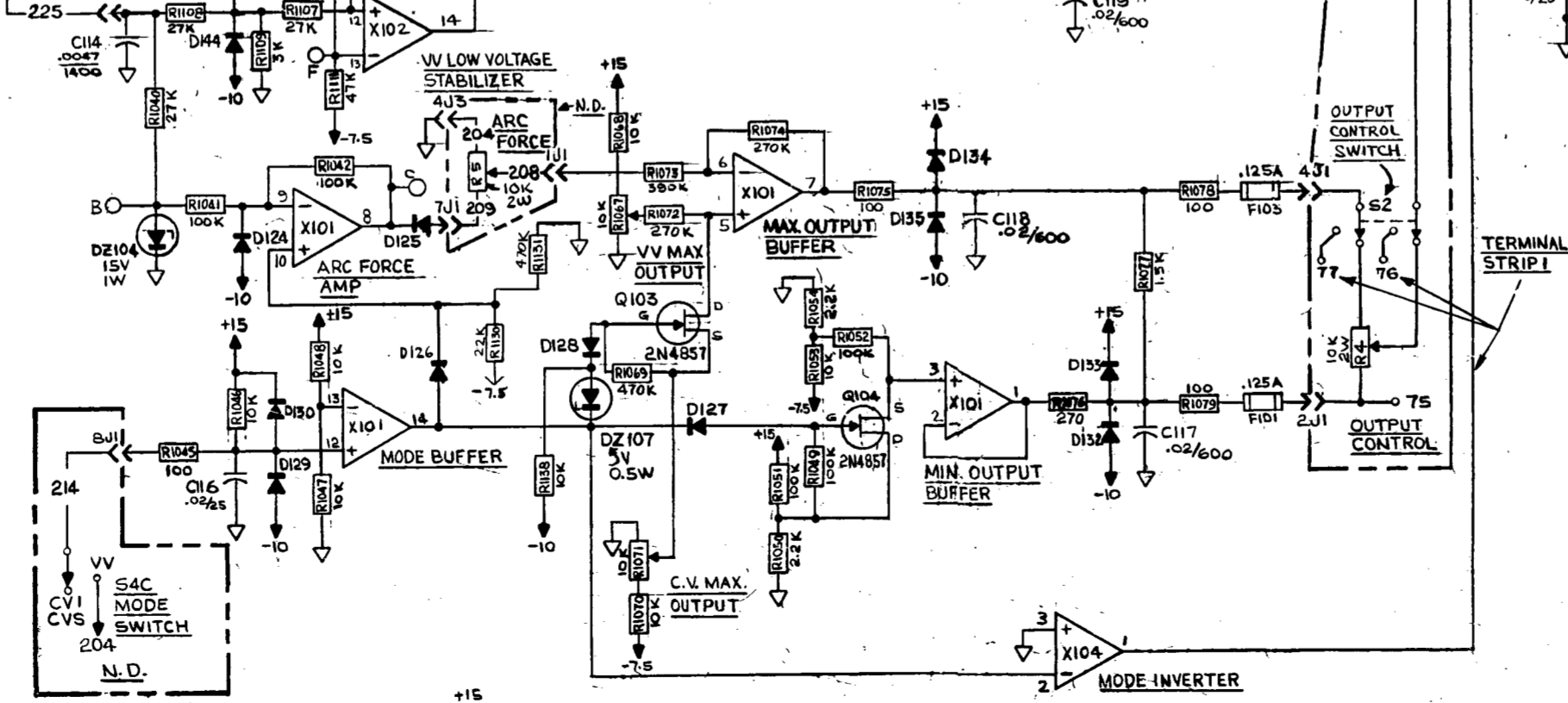
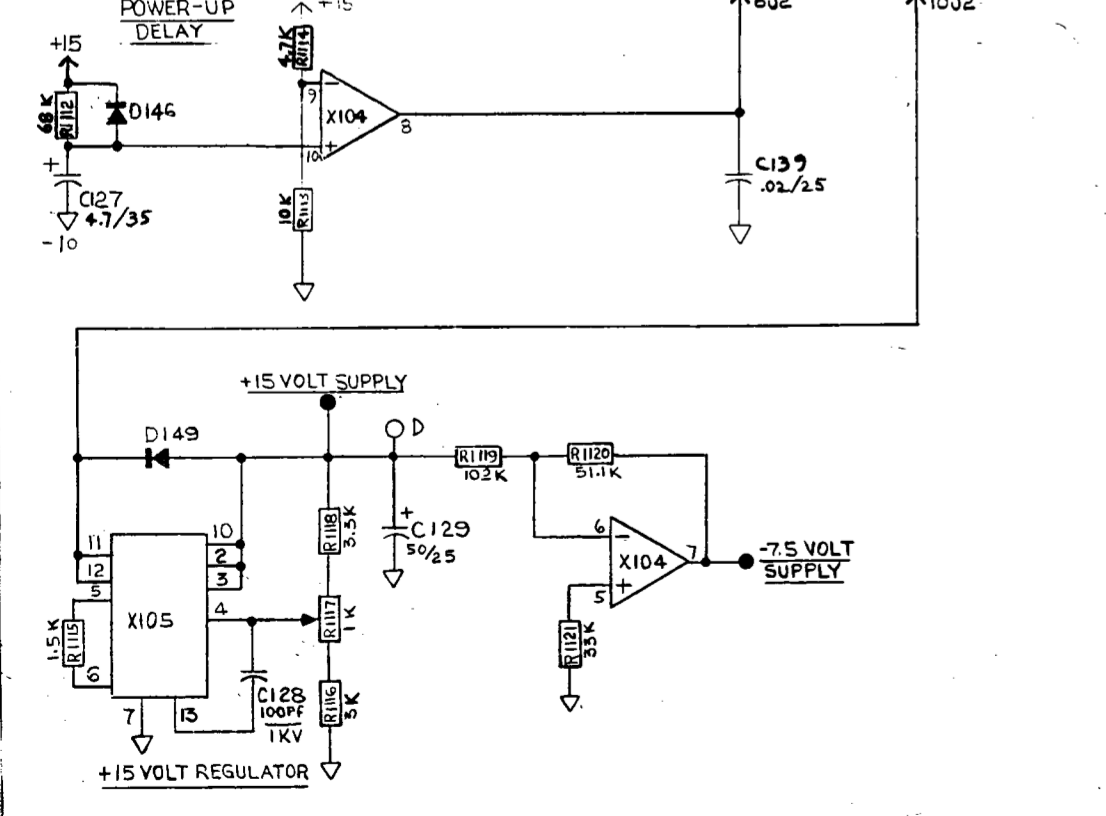
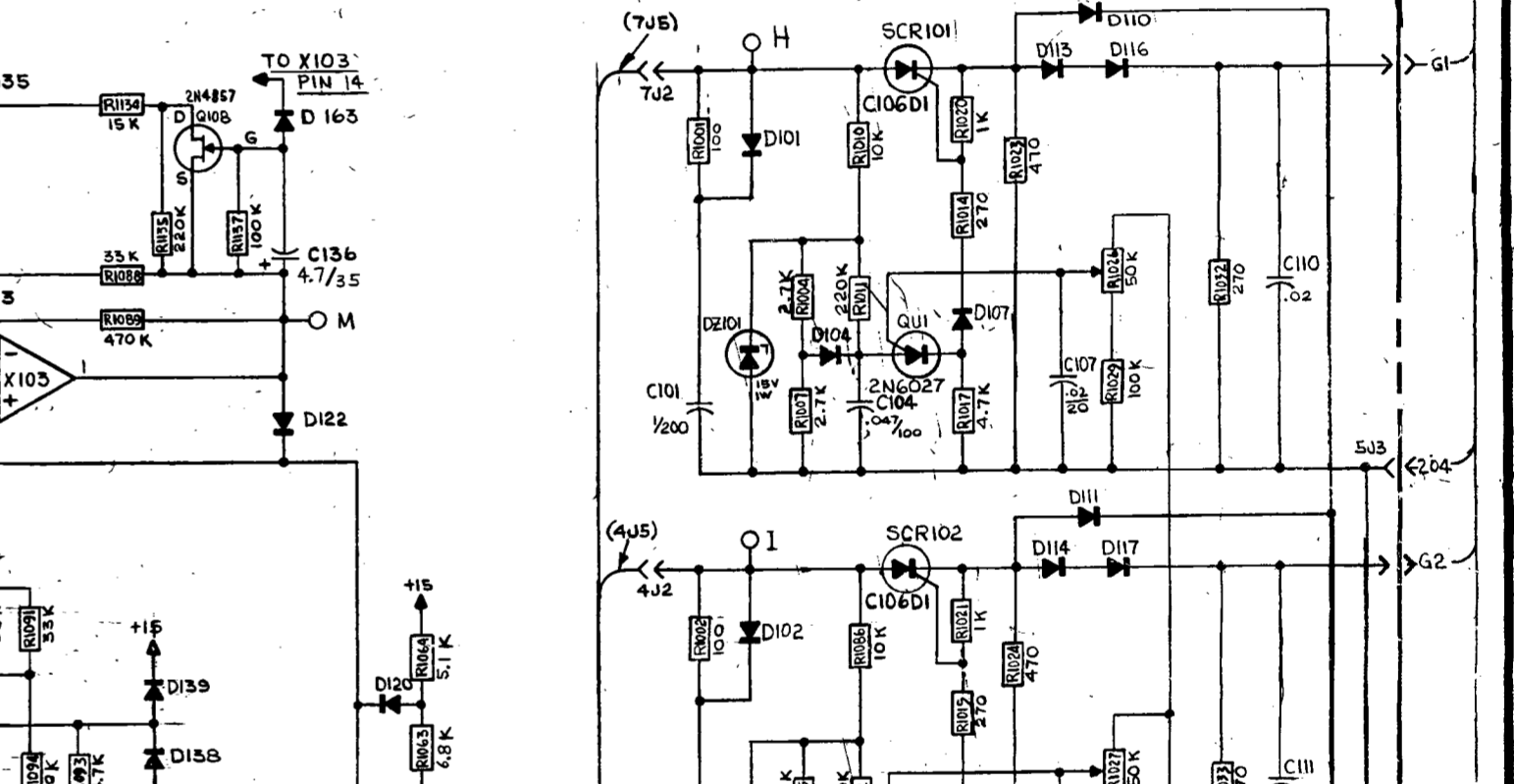
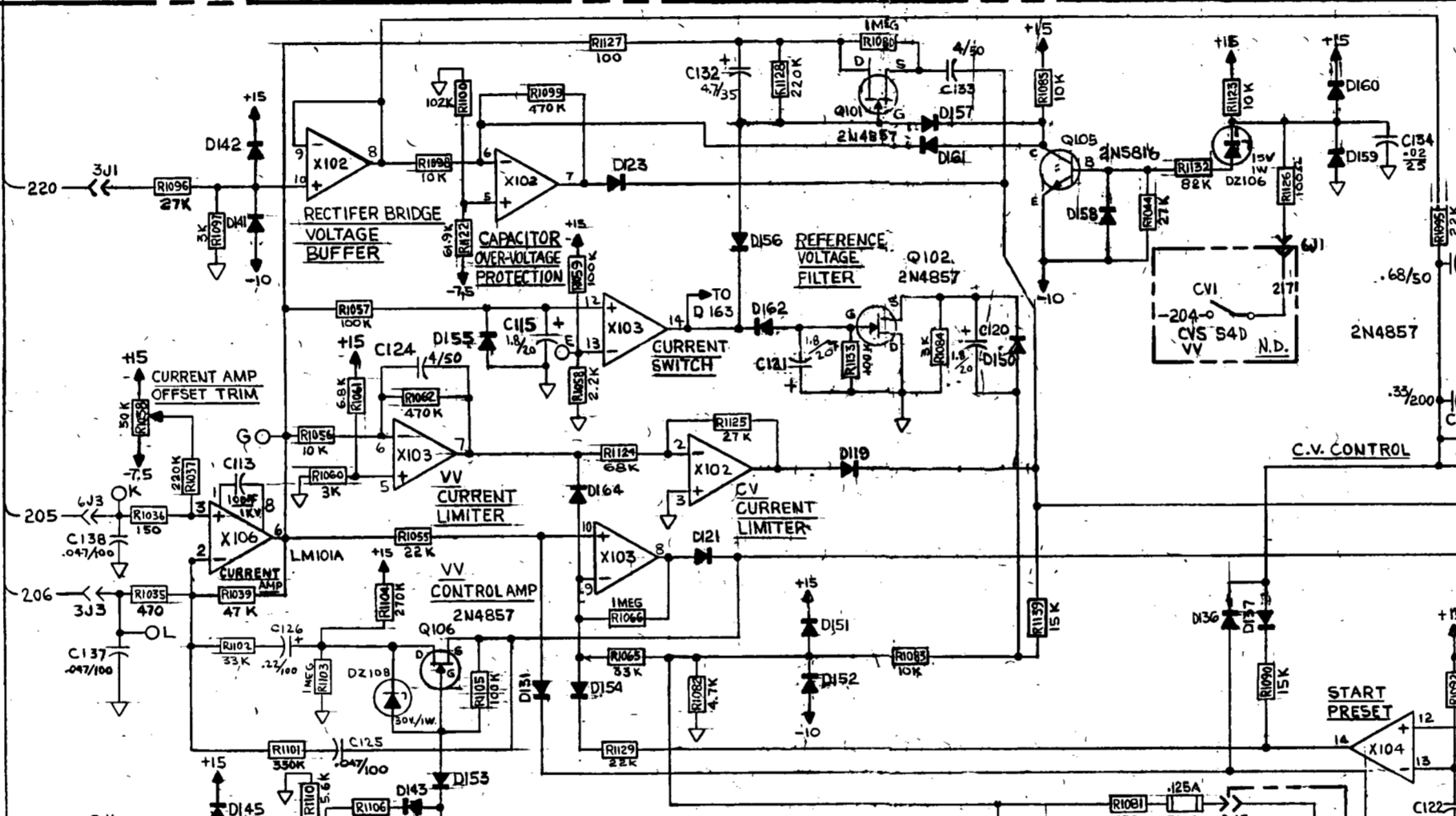
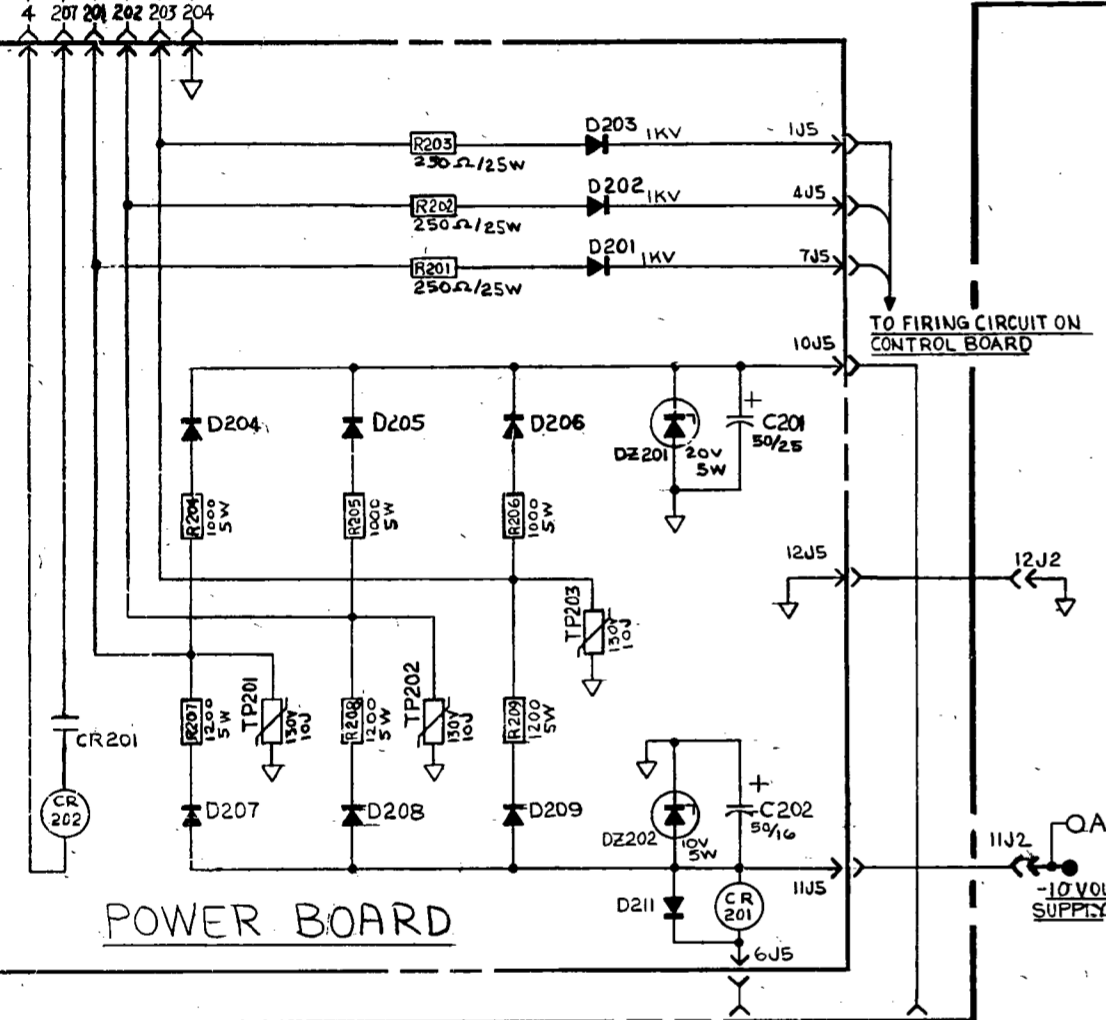
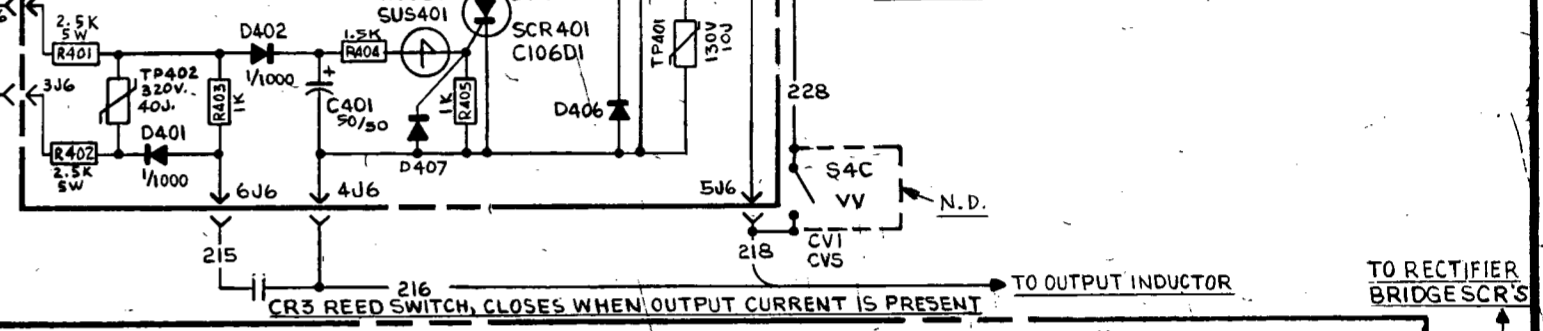
CONNECTORS J3, J4 & J6 CONNECTOR J1 CONNECTORS J2 & J5  
 (AS VIEWED FROM COMPONENT SIDE OF BOARD)

NOTES

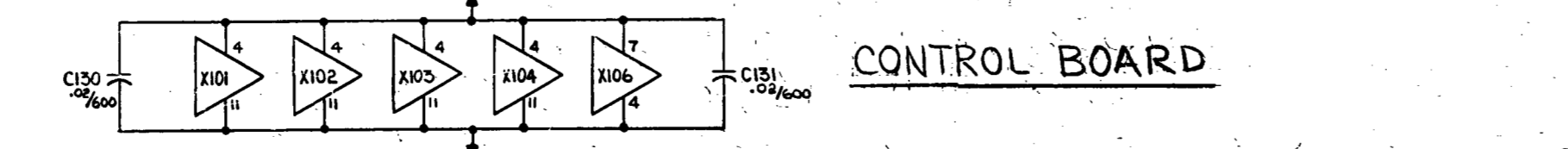
- N.A. CONNECTIONS SHOWN ARE FOR HIGH VOLTAGE INPUT ON DUAL VOLTAGE MACHINES. SEE WIRING DIAGRAM AND CONNECTION DIAGRAM FOR ALL OTHER MACHINE TYPES OR VOLTAGES.
- N.B. VOLT METER, AMMETER, AND CAPACITOR DISCHARGE KIT ARE OPTIONAL EQUIPMENT. (U6)
- N.C. SINCE COMPONENTS OR CIRCUITRY ON A PRINTED CIRCUIT BOARD MAY CHANGE WITHOUT AFFECTING THE INTERCHANGEABILITY OF A COMPLETE BOARD, THIS DIAGRAM MAY NOT SHOW THE EXACT COMPONENTS OR CIRCUITRY OF CONTROLS HAVING A COMMON CODE NUMBER.
- N.D. FOR CV ONLY MACHINES, R5 AND S4 ARE NOT PRESENT AND CIRCUIT IS THE SAME AS CV/VV MODEL WITH MODE SWITCH IN CVI POSITION AND R5 LEADS 204 AND 208 CONNECTED TOGETHER, 209 IS OPEN.



STARTING BOARD



LAST NUMBER USED ON CONTROL BOARD  
 R 1139  
 C 138  
 D 166  
 DZ 107  
 Q 108



CONTROL BOARD