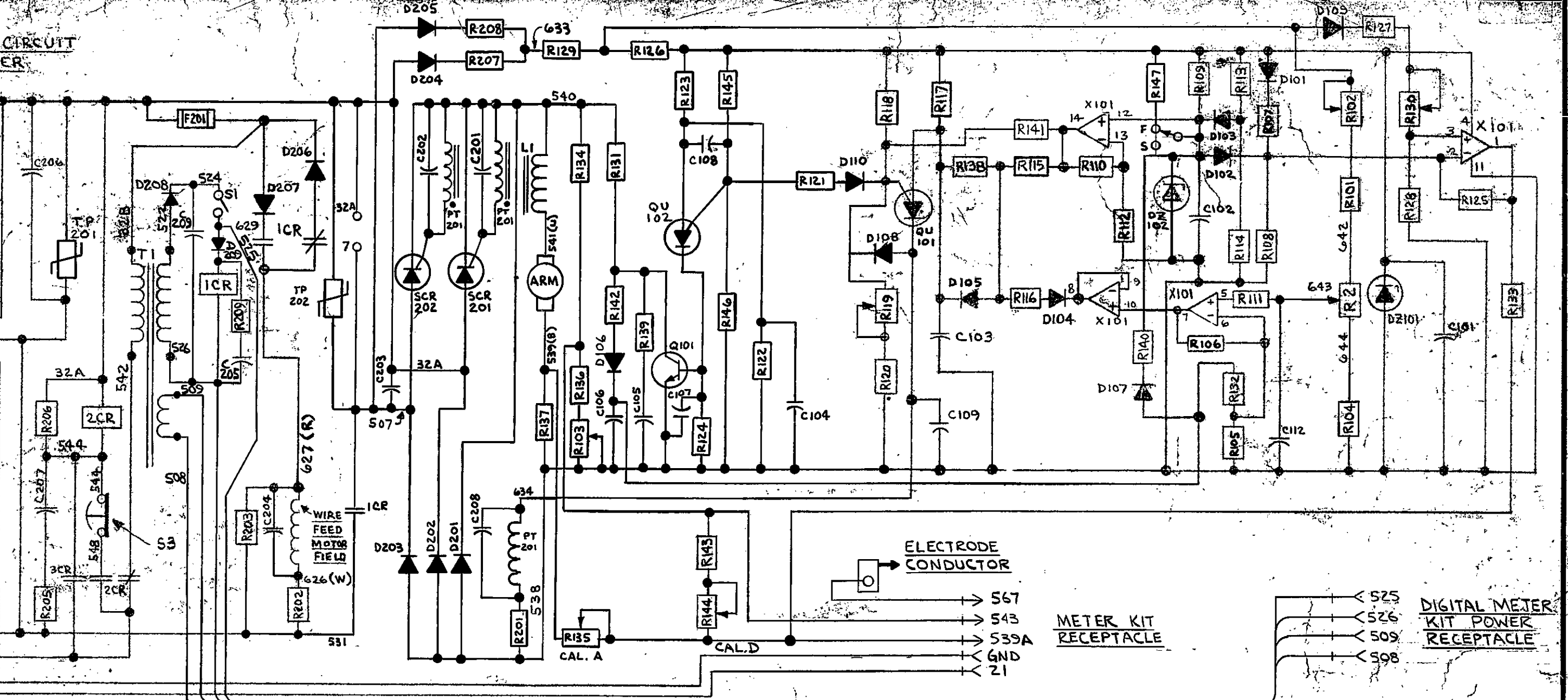
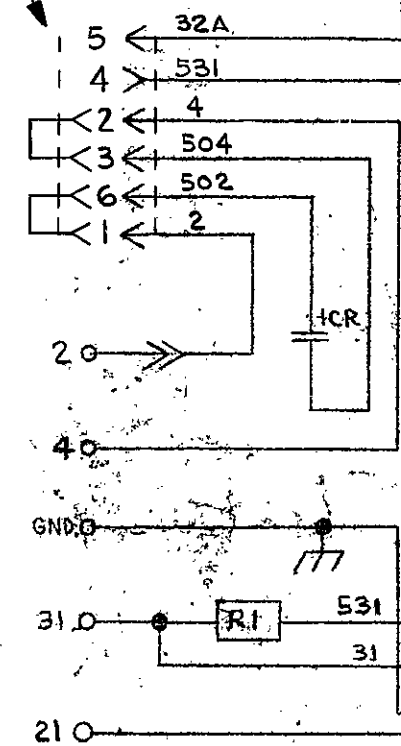


3 AMP CIRCUIT BREAKER

JUMPER PLUG IS REMOVED WHEN OPTIONAL BURNBACK P. C. BOARD IS PLUGGED IN. SEE S-15123 FOR OPERATING SCHEMATIC.



CONTROL CIRCUIT

C101 .02 MFD	R101 15KΩ	R124 10KΩ
C102 18 MFD	R102 5KΩ TRIMMER	R125 220KΩ
C103 .15 MFD	R103 500Ω TRIMMER	R126 5.1Ω
C104 .02 MFD	R104 470Ω	R127 33.2KΩ
C105 .33 MFD	R105 6.8KΩ	R128 33.2KΩ
C106 6 MFD	R106 47KΩ	R129 2.5KΩ 10W
C107 .02 MFD	R107 10KΩ	R130 5KΩ TRIMMER
C108 .0047 MFD	R108 10KΩ	R131 2.2KΩ 2W
C109 .02 MFD	R109 270KΩ	R132 160KΩ
	R110 33KΩ	R133 10KΩ
	R111 10KΩ	
	R112 10KΩ	R134 10KΩ 4W
	R113 15KΩ	R135 2KΩ TRIMMER
	R114 1KΩ	R136 470Ω
	R115 47KΩ	R137 .25Ω 7W
	R116 10KΩ	R138 33KΩ
	R117 68KΩ	R139 100Ω
	R118 39KΩ	R140 470KΩ
	R119 10KΩ TRIMMER	R141 220KΩ
	R120 22KΩ	R142 10Ω
	R121 470Ω	R143 1KΩ
	R122 2.2KΩ	R144 1KΩ TRIMMER
	R123 3.9KΩ	
DZ101 15V	R145 6.8KΩ	QU101 ZN6027
DZ102 6.8V	R146 3.9KΩ	QU102 ZN6027
	R147 160KΩ	Q101 MPS-A42
		X101 OP-AMP

FOR CONTROL P.C. BOARDS L5914-3 OR HIGHER, USE M16777 SCHEMATIC FOR COMPONENT VALUES AND CIRCUIT CONNECTIONS

RELAY CIRCUIT

C201 .047 MFD	R201 15Ω
C202 .047 MFD	R202 56Ω 15W
C203 .02 MFD	R203 100KΩ
C204 50 MFD	
C205 50 MFD	R205 10KΩ
C206 .02 MFD	R206 10KΩ 2W
C207 .15 MFD	R207 47Ω
C208 .02 MFD	R208 47Ω
C209 20 MFD	R209 27Ω
	SCR 201 3A 400V
	SCR 202 3A 400V
D201 20 AMP	TP 201 METAL-OXIDE VARISTOR
D202 20 AMP	TP 202 METAL-OXIDE VARISTOR
D203 20 AMP	PT 201 1:1:1 PULSE TRANSFORMER
D204 1 AMP	
D205 1 AMP	ICR 3-P.D.T. 24V.D.C.
D206 1 AMP	
D207 1 AMP	
D208 1 AMP	
D209 1 AMP	
F201 1/2 AMP SLOW BLOW FUSE	

COMPONENTS NOT ON P.C. BOARDS

- L1 9.5 MH
- R1 2Ω 25W
- R2 5KΩ POT.
- S1 S.P.S.T GUN SWITCH
- S3 S.P.S.T. GROUND LEAD PROTECTOR SWITCH
- T1 115V-24V-8.8V TRANSFORMER
- 2CR GROUND LEAD PROTECTOR RELAY
- 3CR REED SWITCH (ACTUATED BY GROUND CURRENT)

LEAD COLOR CODING

- B = BLACK
- R = RED
- U = BLUE
- W = WHITE

ELECTRICAL SYMBOLS PER E-1537

SINCE COMPONENTS OR CIRCUITRY ON A PRINTED CIRCUIT BOARD MAY CHANGE WITHOUT AFFECTING THE INTERCHANGEABILITY OF A COMPLETE BOARD, THIS DIAGRAM MAY NOT SHOW THE EXACT COMPONENTS OR CIRCUITRY OF CONTROLS HAVING A COMMON CODE NUMBER.

UNLESS OTHERWISE SPECIFIED TOLERANCE ON HOLE SIZES PER E-2056 ON 2 PLACE DECIMALS IS ±.002 ON 3 PLACE DECIMALS IS ±.0002 ON ALL ANGLES IS ±.5 OF A DEGREE MATERIAL TOLERANCE (M) TO AGREE WITH PUBLISHED STANDARDS

Chg/ Sht. No. 6-184A	EQUIP. TYPE LN-7
7-23-82 1-16-87L	CLEVELAND, OHIO U. S. A.
12-10-82 7-24-92	SUBJECT OPERATING SCHEMATIC
6-17-83	SCALE
8-26-83	DR DRS DATE 4-19-82 CHK JFC SUPP'D (M:13509) SHT. NO. M-14449

THE LINCOLN ELECTRIC CO. EQUIP. TYPE LN-7
CLEVELAND, OHIO U. S. A. SUBJECT OPERATING SCHEMATIC
SCALE
DR DRS DATE 4-19-82 CHK JFC SUPP'D (M:13509) SHT. NO. M-14449