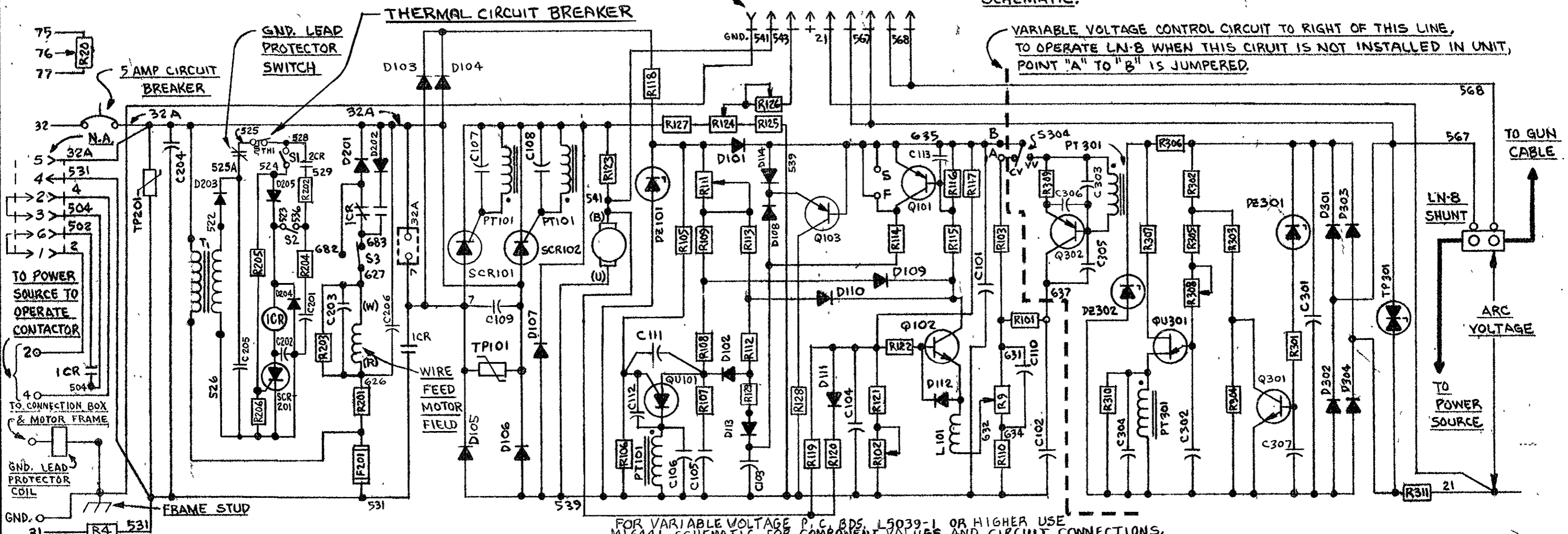


FOR CONTROL P.C. BOARDS L5767-1 & HIGHER
USE M1680Z SCHEMATIC FOR COMPONENT
VALUES & CIRCUIT CONNECTIONS.

NOTES
N.A. JUMPER PLUG IS REMOVED AND CONNECTOR "B" IS PLUGGED INTO
OPTIONAL BURNBACK P.C. BOARD. SEE S-15123 FOR OPERATING
SCHEMATIC.
VARIABLE VOLTAGE CONTROL CIRCUIT TO RIGHT OF THIS LINE,
TO OPERATE LN-8 WHEN THIS CIRCUIT IS NOT INSTALLED IN UNIT,
POINT "A" TO "B" IS JUMPED.



FOR VARIABLE VOLTAGE P.C. BDS L5039-1 OR HIGHER USE
M1641 SCHEMATIC FOR COMPONENT VALUES AND CIRCUIT CONNECTIONS.

*** CONTROL CIRCUIT (BOARD #1)**

C101	1MFD	L101	5.6 MH
C102	2 MFD	Q101	2N4125
C103	39 MFD ±10%	Q102	2N4123
C104	4.7 MFD	Q103	2N5815
C105	.10 MFD	Q10101	2N6027
C106, C110, C111	.02 MFD	TP101	TRANSIENT PROTECTION
C112, C113	.02 MFD	SCR101	12A, 400V
C107, C108	.047 MFD	SCR102	12A, 400V
C109	.005 MFD	PT101	1:1:1 PULSE TRANSFORMER
D101	1A.	R101	6.8KΩ
D102	1A.	R102	2KΩ TRIMMER
D103	1A.	R103	10KΩ
D104	1A.	R105	4.7KΩ
D105	16A.	R106	4.7KΩ
D106	16A.	R107	15Ω
D107	16A.	R108	33KΩ
D108	1A.	R109	33KΩ
D109	1A.	R110	750Ω
D110	1A.	R111	50KΩ TRIMMER
D111	1A.	R112	27KΩ
D112	1A.	R113	39KΩ
D113	1A.	R114	10KΩ
D114	1A.	R115	68KΩ
D201	20V.	R116	10KΩ
		R117	22KΩ
		R118	4.7KΩ 4W.
		R119	27KΩ
		R120	15KΩ
		R121	1.5KΩ
		R122	10KΩ
		R123	.25Ω 7W.
		R124	1KΩ TRIMMER
		R125	4.7KΩ 4W.
		R126	1KΩ TRIMMER
		R127	150Ω
		R128	1KΩ
		R129	15KΩ
SCR 201			8A 400V
TP 201			TRANSIENT PROTECTION

RELAY CIRCUIT (BOARD #2)

C201	50 MFD	C205	50 MFD
C202	.02 MFD	C206	.005 MFD
C203	50 MFD		
C204	.005 MFD		
ICR			3PDT 24V D.C.
D201	1A.		
D202	1A.		
D203	1A.		
D204	1A.		
D205	1A.		
R201	40Ω 12W.		
R202	100Ω		
R203	100KΩ		
R204	27Ω		
R205	4.7KΩ		
R206	1KΩ		
F201			1/2 A. 125V. OR 250V. SLOW BLOW FUSE
SCR 201			8A 400V
TP 201			TRANSIENT PROTECTION

VARIABLE VOLTAGE CIRCUIT (BOARD #3)

C301	2 MFD	R301	6.8KΩ
C302	.10 MFD	R302	5.6KΩ (2%)
C303	.01 MFD	R303	1KΩ (2%)
C304	.047 MFD	R304	3.9KΩ (2%)
C305	.01 MFD	R305	3.3KΩ
C306, C307	.02 MFD	R306	4.7KΩ 2W.
D301	1A.	R307	100Ω
D302	1A.	R308	5KΩ TRIMMER
D303	1A.	R309	15Ω
D304	1A.	R310	47Ω
		R311	68Ω
D2301	62V.	S304	POWER SOURCE SELECTOR SW.
D2302	10V.	Q301	UJT
Q301	2N3393		
Q302	2N4125		
PT301			1:1:1 PULSE TRANSFORMER
TP301			TRANSIENT PROTECTION

COMPONENTS NOT ON P.C. BOARD

R4	2Ω 50W.
R9	5KΩ 2W. POT.
R20	10KΩ 2W. POT.
T1	110-24V. TRANSFORMER
ZCR	REED SWITCH (ACTUATED BY WELDING CURRENT)
4CR	GROUNDING LEAD PROTECTOR
S1	SPST GUN SWITCH
S2	SPDT INTERLOCK SWITCH
S3	SPDT DIRECTION SWITCH

LEAD COLOR CODING
B- BLACK
R- RED
U- BLUE
W- WHITE

ELECTRICAL SYMBOLS PER E-1537.

SINCE COMPONENTS OR CIRCUITRY ON A PRINTED CIRCUIT BOARD
MAY CHANGE WITHOUT AFFECTING THE INTERCHANGEABILITY OF
A COMPLETE BOARD, THIS DIAGRAM MAY NOT SHOW THE EXACT
COMPONENTS OR CIRCUITRY OF CONTROLS HAVING A COMMON
CODE NUMBER.

THE LINCOLN ELECTRIC CO. EQUIP. TYPE LN-8F
CLEVELAND, OHIO U. S. A. SUBJECT OPERATING SCHEMATIC
SCALE REF. M-13406 SHT. NO. M-14676
DATE 3-4-83. CHK. DR. D.