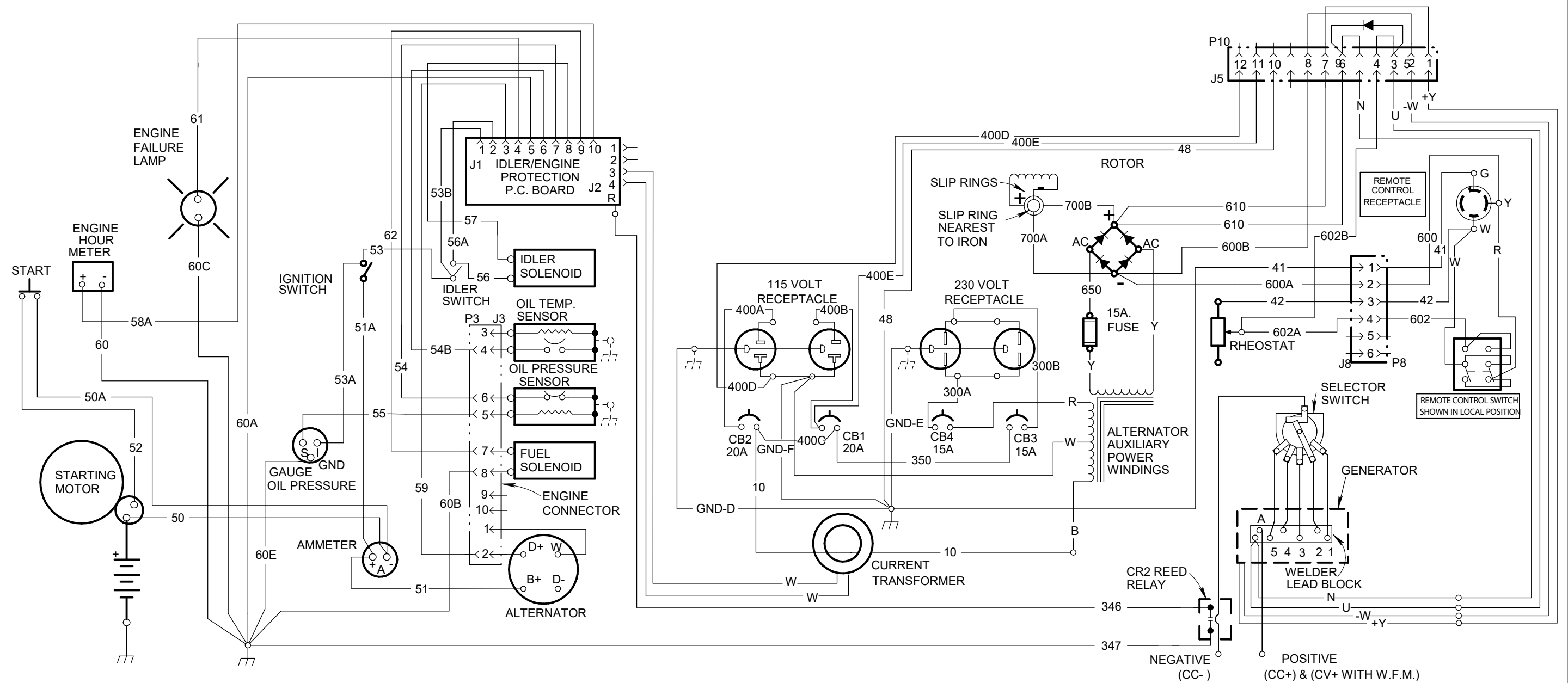
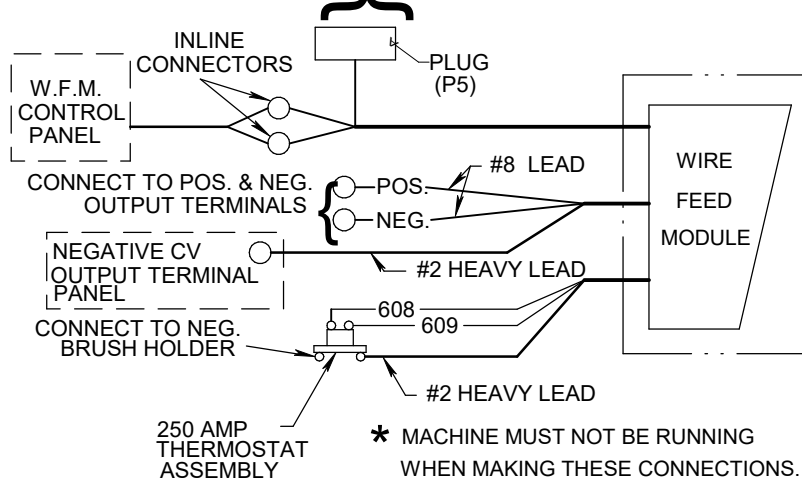


# CLASSIC II WIRING DIAGRAM L11863 REV: C

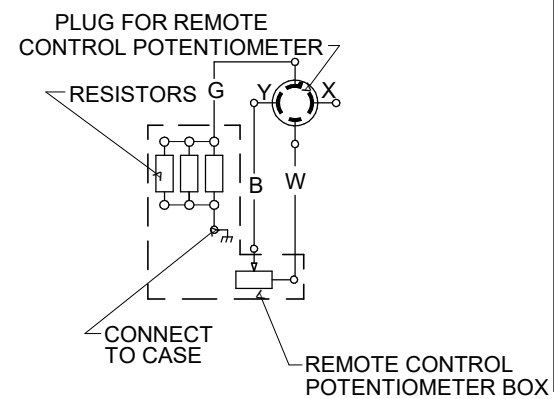


## WIRE FEED MODULE (OPTIONAL)

ON MACHINE, REMOVE PLUG "P10" FROM CONNECTOR "J5".  
CONNECT PLUG "P5" ON W.F.M. TO CONNECTOR "J5" ON MACHINE.



## K924-5 REMOTE CONTROL (OPTIONAL)



## LEAD COLOR CODE

B-BLACK	R-RED
G-GREEN	U-BLUE
N-BROWN	W-WHITE
	Y-YELLOW

CONTROL PANEL COMPONENTS SHOWN AS VIEWED FROM REAR.  
NEUTRAL BONDED TO FRAME  
NEUTRE RACCORDE AU BATI

# LINCOLN ELECTRIC

CLEVELAND, OHIO U.S.A.