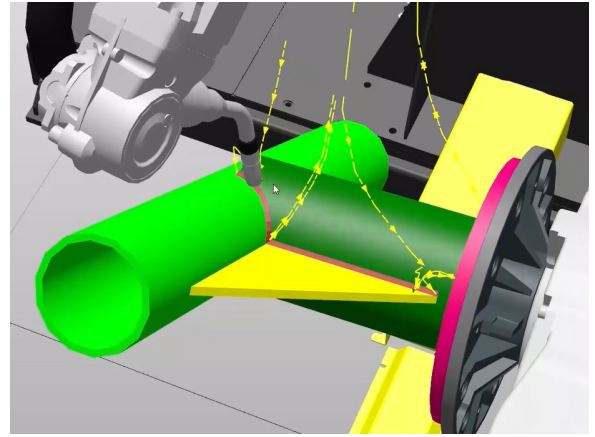


The Value of CAR-W

Software

Let Lincoln Electric CAR-W® [Computer Aided Robotic Welding] software help save you hours of programming time per part, even if you only have basic welding and robotics experience! CAR-W software is the quick and accurate way to program welds. Let's explore the benefits of CAR-W software.



Time-Saving & Cost-Effective Offline Programming

CAR-W software can create new weld sequences while the robot executes existing weld programs. You will be able to adapt quickly and efficiently to changing market demands.



Improved First-Attempt Accuracy

CAR-W software helps reduce potential errors made from manual weld programming. Its accuracy helps reduce rework scrap and other forms of waste.



Curated By The Welding Experts®

Drawing on Lincoln Electric's 128 years of welding expertise, CAR-W software helps reduce the time and effort required to complete welding tasks.



User-Friendly Robotic Programming

CAR-W software simplifies programming on Fab-Pak® robotic welding systems. It reduces the complexity of tasks to increase accessibility and decrease training time.



Torch Crash Protection

CAR-W software identifies potential safety hazards during programming to help the robot operate safely and efficiently.

CUSTOMER ASSISTANCE POLICY

The business of Lincoln Electric is manufacturing and selling high quality welding equipment, automated welding systems, consumables, and cutting equipment. Our challenge is to meet the needs of our customers, who are experts in their fields, and to exceed their expectations. On occasion, purchasers may ask Lincoln Electric for information or technical information about their use of our products. Our employees respond to inquiries to the best of their ability based on information and specifications provided to them by the customers and the knowledge they may have concerning the application. Our employees, however, are not in a position to verify the information provided or to evaluate the engineering requirements for the particular weldment, or to provide engineering advice in relation to a specific situation or application. Accordingly, Lincoln Electric does not warrant or guarantee or assume any liability with respect to such information or communications. Moreover, the provision of such information or technical information does not create, expand, or alter any warranty on our products. Any express or implied warranty that might arise from the information or technical information, including any implied warranty of merchantability or any warranty of fitness for any customers' particular purpose or any other equivalent or similar warranty is specifically disclaimed.

Lincoln Electric is a responsive manufacturer, but the definition of specifications, and the selection and use of specific products sold by Lincoln Electric is solely within the control of, and remains the sole responsibility of the customer. Many variables beyond the control of Lincoln Electric affect the results obtained in applying these types of fabrication methods and service requirements.