

ANNEX™ DROP CENTER

AUTOMATED POSITIONERS



Renders are for reference only

ANNEX DROP CENTER PART POSITIONER

Adaptable to a wide range of processes including welding, laser, material handling, grinding, and cutting, the Lincoln Electric Automation ANNEX™ robotic positioners provide customers with an unparalleled user-friendly experience for all of their robotic positioning needs. Customers are able to use the positioner either robotically or servo controlled.

KEY FEATURES

- Nabtesco® gearboxes
- Slewing ring bearings
- Leveling bolts with anchor provisions

BENEFITS

- Easy integration with most major robot manufacturers including FANUC®, ABB®, Yaskawa®, KUKA®, and Kawasaki®
- Helps improve the accuracy and repeatability of manufacturing processes with robotics
- Helps improve safety and operator efficiency with innovative programming
- Input/output capable for tooling functions and sensors

OPTIONS AVAILABLE

- Workspace guarding
- Touch panel operator controls
- Custom tooling and operation screens
- Safety scanners and light curtains
- Position and logic programming
- Tooling integration
- Custom paint specifications

INDUSTRY

- Heavy Fabrication
- General Fabrication
- Automotive/Transportation

CONTACT LINCOLN ELECTRIC AUTOMATION - BETTENDORF



3129 State St
Bettendorf, IA 52722



+1 [563] 355-4812



sales_bettendorf@lincolnelectric.com

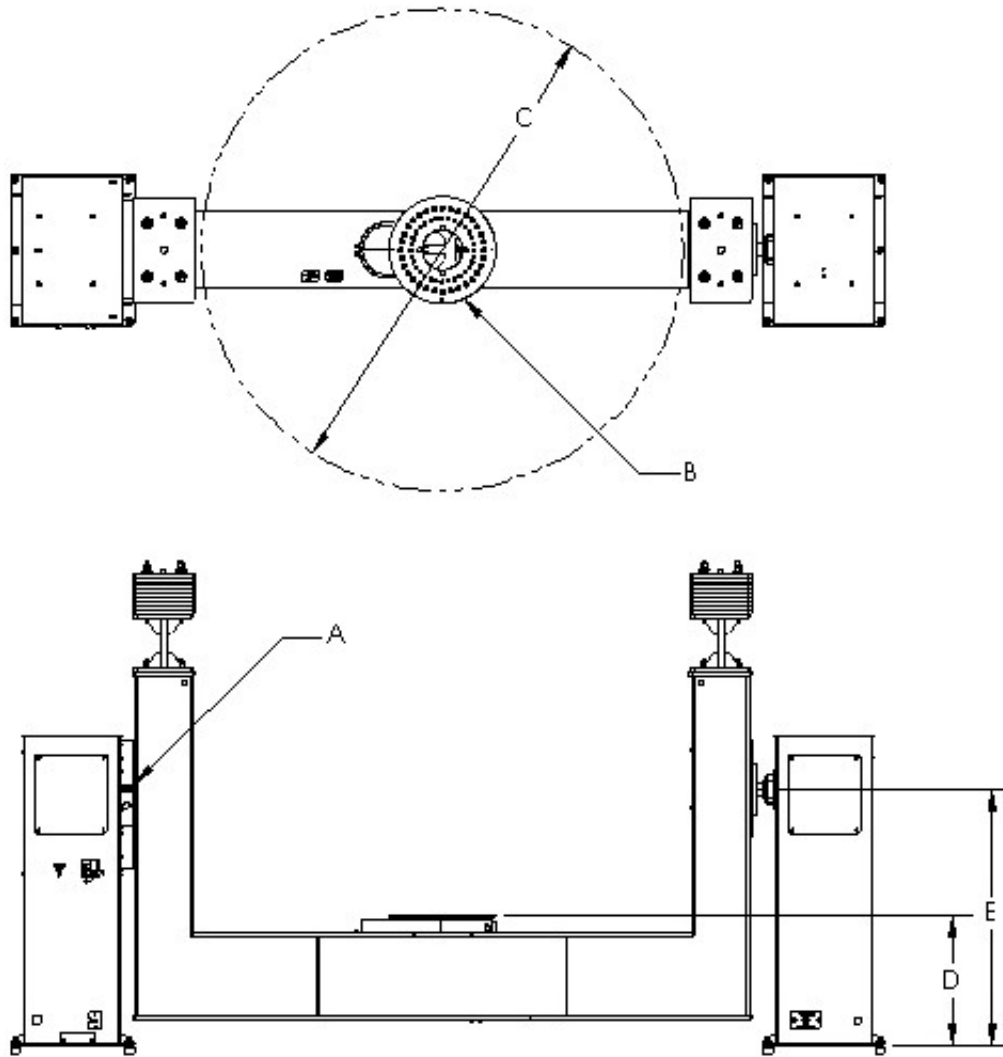


www.lincolnelectric.com
www.vizient.com

Publication LEA-010824JT1-01

© Lincoln Global Inc. All Rights Reserved. All trademarks and registered trademarks are the property of their respective owners.
www.lincolnelectric.com/automation





PRODUCT SPECIFICATIONS

Product Number	Model	Maximum Payload	Rated Major Axis Speed (A)	Rated Minor Axis Speed (B)	Minor Axis Swing Diameter (C)	Nominal Platter Height (D)	Nominal Major Axis Height (E)
AD2529	Drop Center 10	10,000 kg	20 deg/sec	10 deg/sec	Up to 6,000 mm	From 1,000 mm	From 2,000 mm
	Drop Center 20	20,000 kg	10 deg/sec	10 deg/sec	Up to 8,000 mm	From 1,800 mm	From 3,000 mm
Custom	Based on Customer Specifications						

Important Note: Changes from recommended motor sizing, payload, duty cycles, cable routing, weld grounding (if applicable), other system specifications (i.e. servo parameters, controller stop parameter), and/or modifications may affect cycle times and overall performance. User assumes all responsibility for proper rigging, installation, and machine setting alignments of product(s). Manufacturer's warranty is void to the extent any failure caused by improper installation, modification, or operation by customer.

CUSTOMER ASSISTANCE POLICY

The business of Lincoln Electric is manufacturing and selling high quality welding equipment, automated welding systems, consumables, and cutting equipment. Our challenge is to meet the needs of our customers, who are experts in their fields, and to exceed their expectations. On occasion, purchasers may ask Lincoln Electric for information or technical information about their use of our products. Our employees respond to inquiries to the best of their ability based on information and specifications provided to them by the customers and the knowledge they may have concerning the application. Our employees, however, are not in a position to verify the information provided or to evaluate the engineering requirements for the particular weldment, or to provide engineering advice in relation to a specific situation or application. Accordingly, Lincoln Electric does not warrant or guarantee or assume any liability with respect to such information or communications. Moreover, the provision of such information or technical information does not create, expand, or alter any warranty on our products. Any express or implied warranty that might arise from the information or technical information, including any implied warranty of merchantability or any warranty of fitness for any customers' particular purpose or any other equivalent or similar warranty is specifically disclaimed.

Lincoln Electric is a responsive manufacturer, but the definition of specifications, and the selection and use of specific products sold by Lincoln Electric is solely within the control of, and remains the sole responsibility of the customer. Many variables beyond the control of Lincoln Electric affect the results obtained in applying these types of fabrication methods and service requirements.

THE LINCOLN ELECTRIC COMPANY
 22801 Saint Clair Avenue · Cleveland, OH · 44117 · U.S.A.
 Phone: +1 216.481.8100 · www.lincolnelectric.com