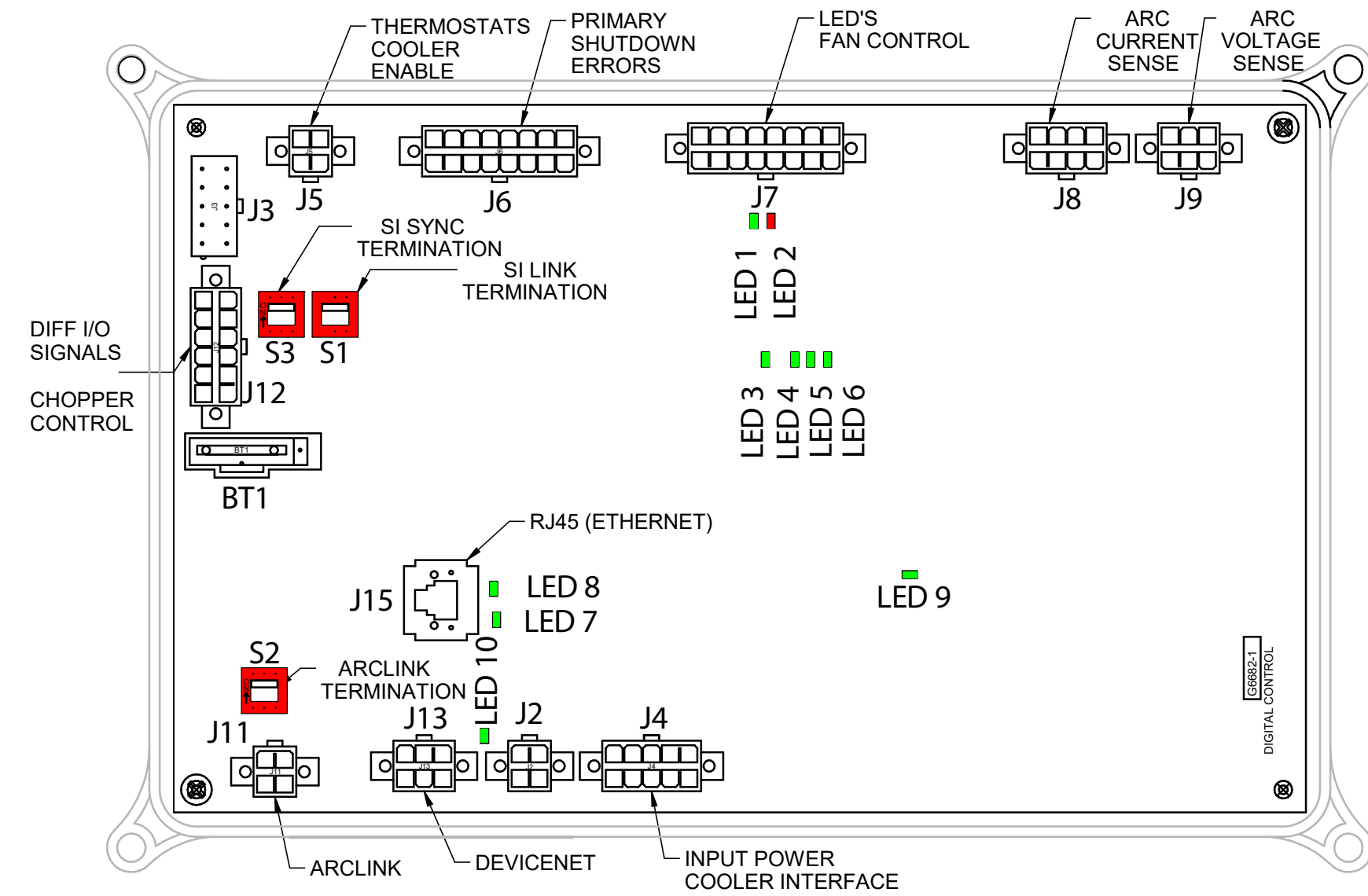


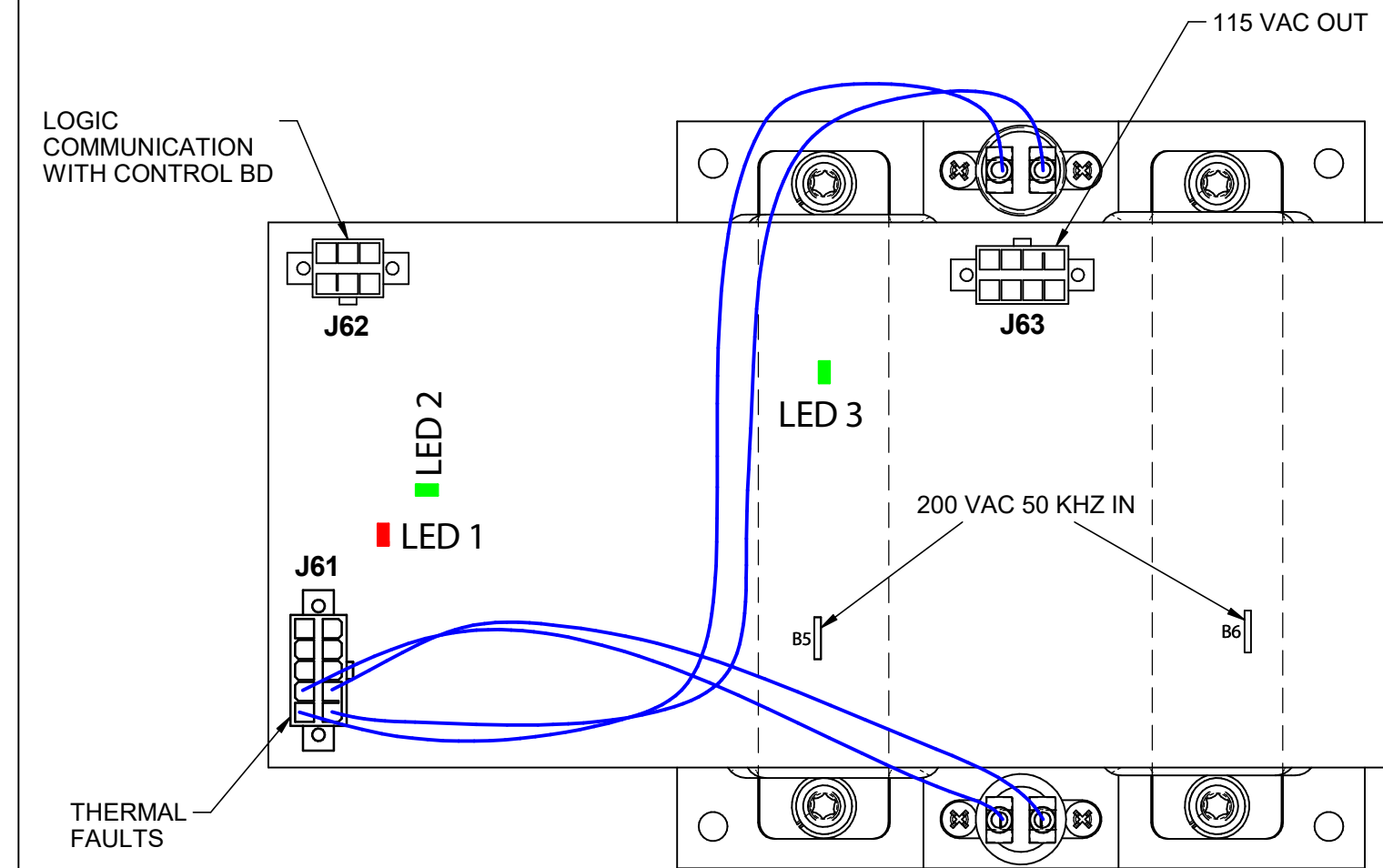
CONTROL P.C. BOARD



Description of LED functions on Power Wave R500 For reference only

| G6682 CONTROL P.C. BOARD | | |
|--------------------------|-------|--|
| LED # | COLOR | FUNCTION |
| 1 | GREEN | STATUS "OK" |
| 2 | RED | STATUS "ERROR" (CHECK CODE FOR SPECIFIC ERROR) |
| 3 | GREEN | OUTPUT ENABLE |
| 4 | GREEN | SINGLE PHASE FAULT |
| 5 | GREEN | ELECTRODE SENSE |
| 6 | GREEN | WORK SENSE |
| 7 | GREEN | ETHERNET LINK/ACTIVITY STATUS |
| 8 | GREEN | ETHERNET SPEED STATUS |
| 9 | GREEN | INPUT SUPPLY 30 VDC TO 55 VDC |
| 10 | GREEN | DEVICENET EXTERNAL 24 VDC PRESENT |

115VAC INVERTER P.C. BOARD

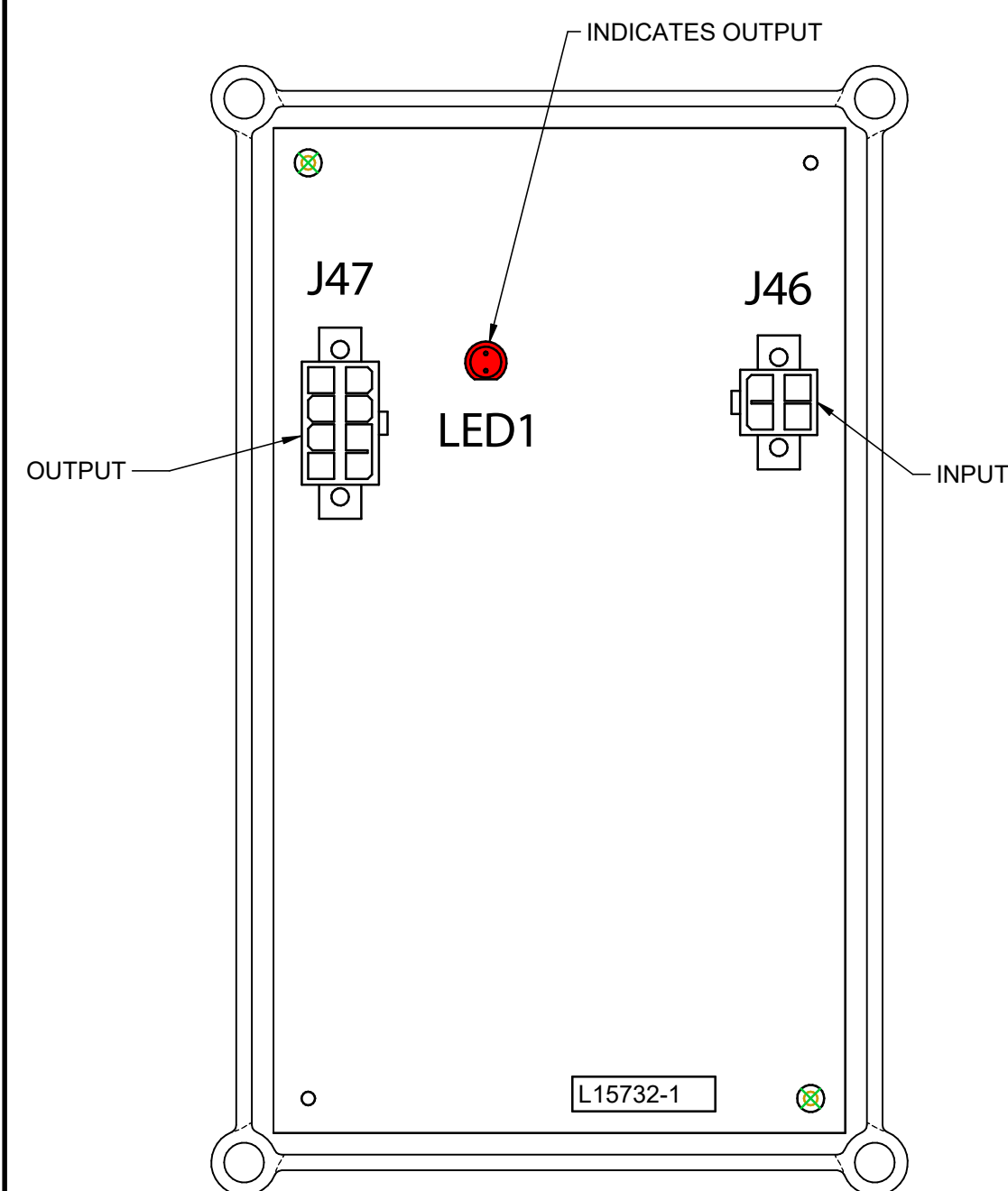


Description of LED functions on Power Wave R500 For reference only

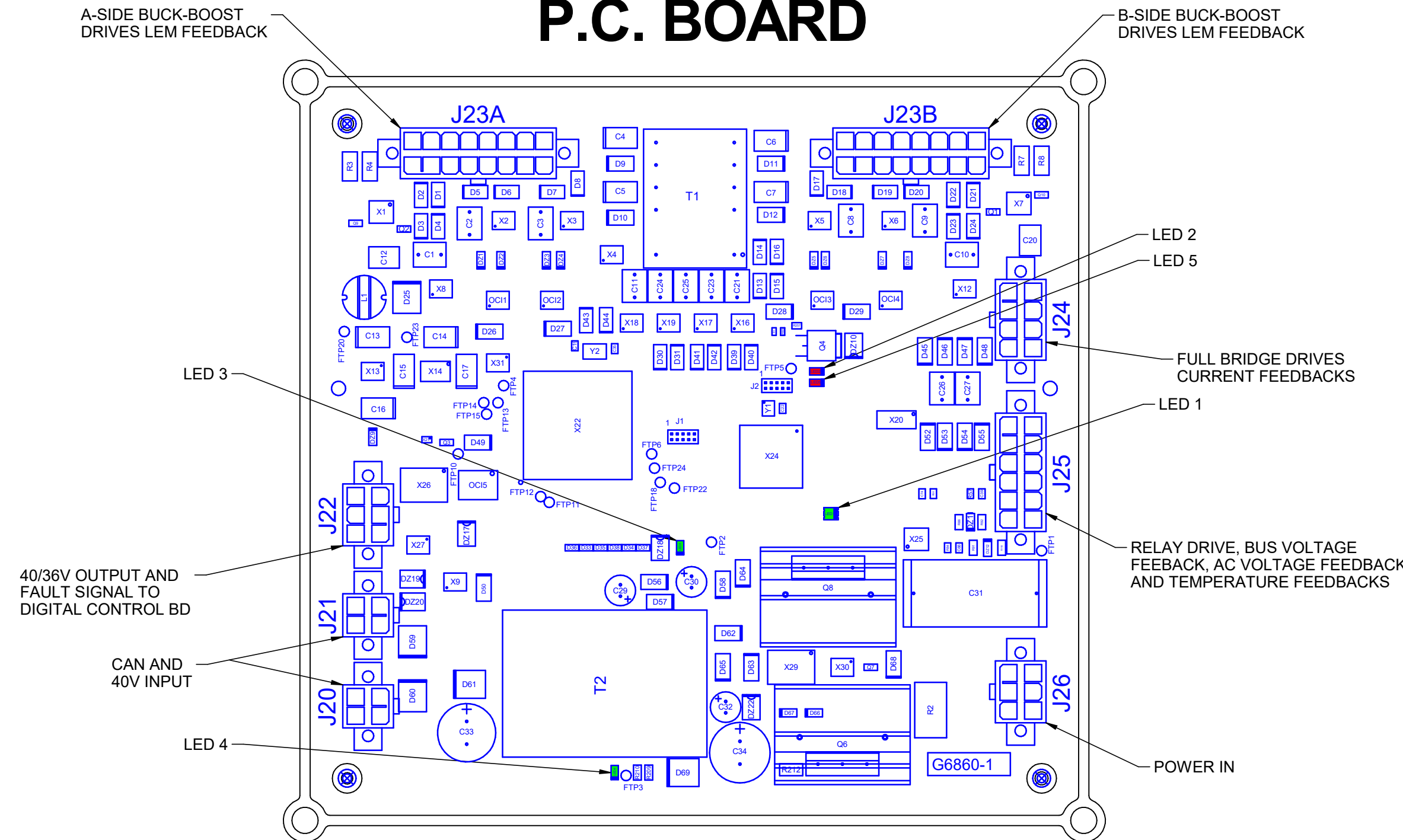
| G6571 115 VAC INVERTER P.C. BOARD | | |
|-----------------------------------|-------|---|
| LED # | COLOR | FUNCTION |
| 1 | RED | ERROR CODE (LED WILL FLASH ERROR) SEE TABLE BELOW FOR DETAILS |
| 2 | GREEN | RECEPTACLE OUTPUT IS ON (115 VAC) |
| 3 | GREEN | INPUT POWER PRESENT. POWER SUPPLY ON |

| ERROR CODE | |
|------------|--------------------------|
| ERROR | EXPLANATION |
| 1 | GROUND FAULT |
| 2 | THERMAL FAULT |
| 3 | 15V CONTROL UNDERVOLTAGE |
| 4 | 200V BUS UNDERVOLTAGE |
| 5 | OUTPUT OVER CURRENT |
| 6 | OUTPUT OVER VOLTAGE |

+40 VDC BUS P.C. BOARD



PFC CONTROL P.C. BOARD



Description of LED functions on Power Wave R500 For reference only

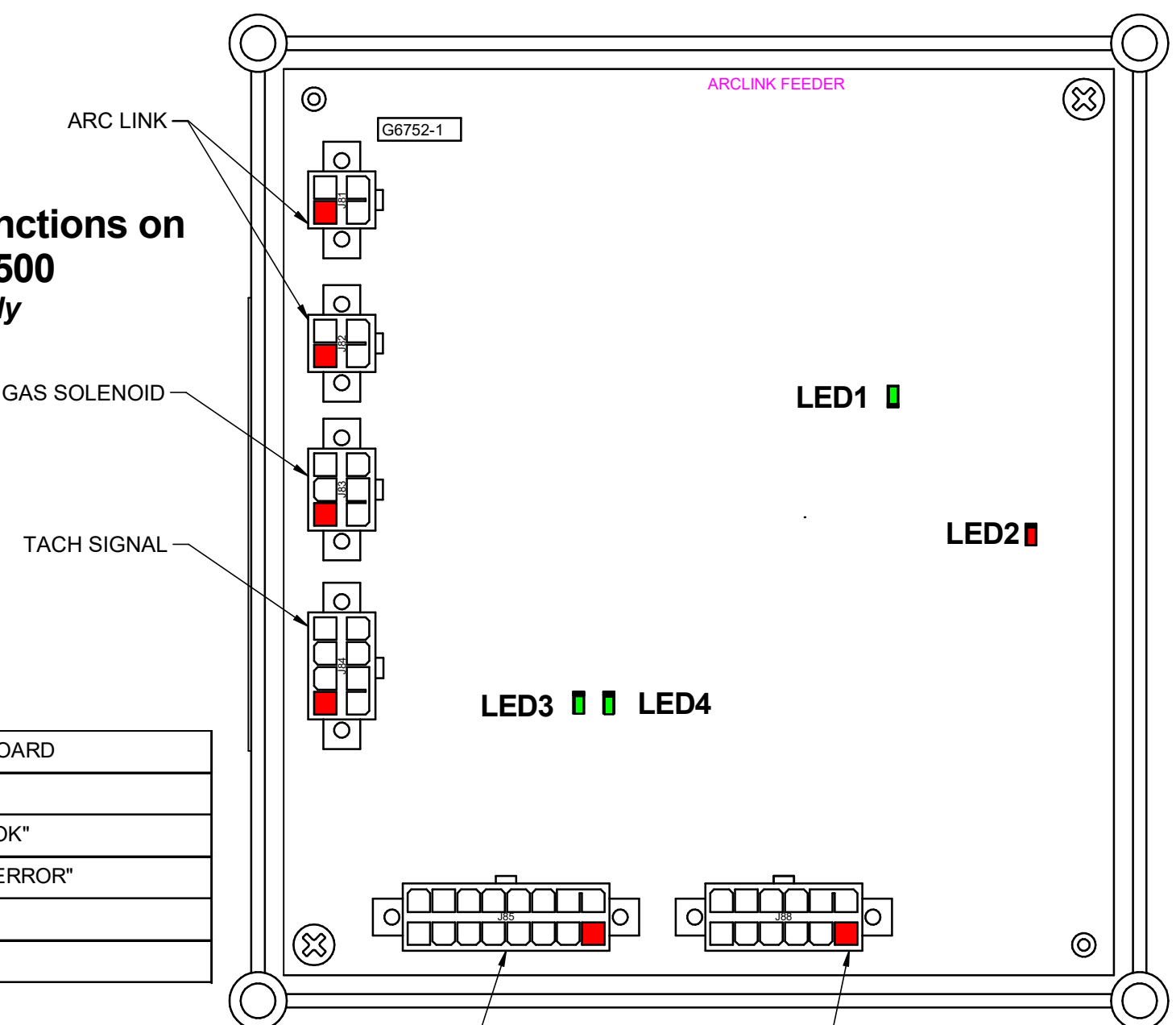
| G6860-1 PFC CONTROL P.C. BOARD | | |
|--------------------------------|-------------|--|
| LED # | COLOR | FUNCTION |
| 1 | GREEN / RED | STATUS LIGHT AND ERROR CODE (LED WILL FLASH ERROR) SEE TABLE FOR DETAILS |
| 2 | RED | FAULT SIDE B |
| 3 | GREEN | -15 VOLT PRESENT |
| 4 | GREEN | +15 VOLT PRESENT |
| 5 | RED | FAULT SIDE A |

| ERROR CODE | |
|------------|------------------------------------|
| ERROR | EXPLANATION |
| 331 | PEAK INPUT CURRENT LIMIT |
| 334 | START UP CURRENT CHECK FAILURE |
| 335 | START UP VOLTAGE CHECK FAILURE |
| 336 | THERMAL FAULT (NO FIRST STAGE FAN) |
| 337 | PRECHARGE TIMEOUT |
| 338 | INPUT POWER LIMIT |
| 341 | INPUT VOLTAGE DROPOUT |
| 346 | TRANSFORMER PRIMARY OVERCURRENT |
| 347 | AVERAGE INPUT CURRENT LIMIT |
| 349 | BUS UNDERVOLTAGE |

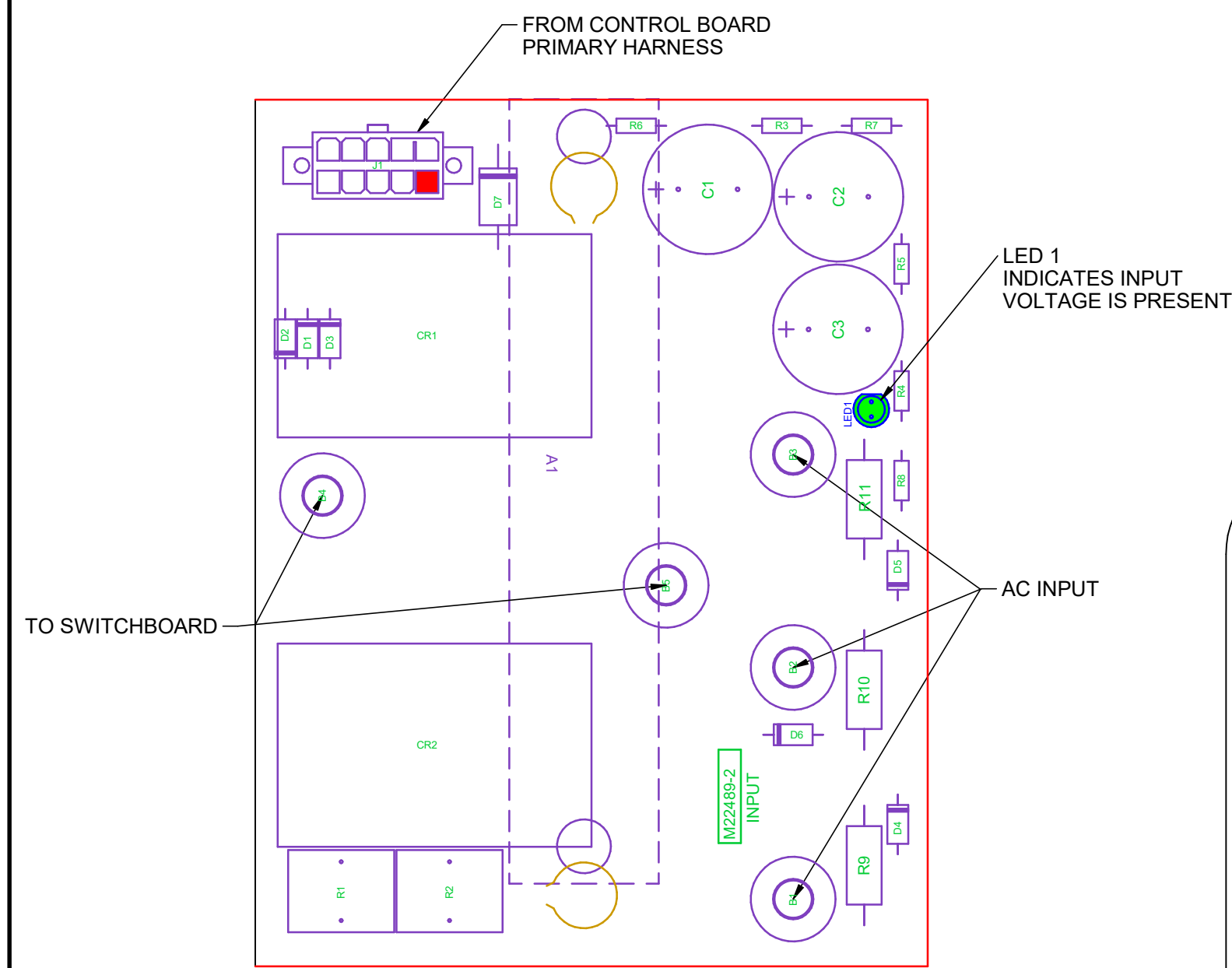
ROBOTIC FEEDHEAD P.C. BOARD

Description of LED functions on Power Wave R500 For reference only

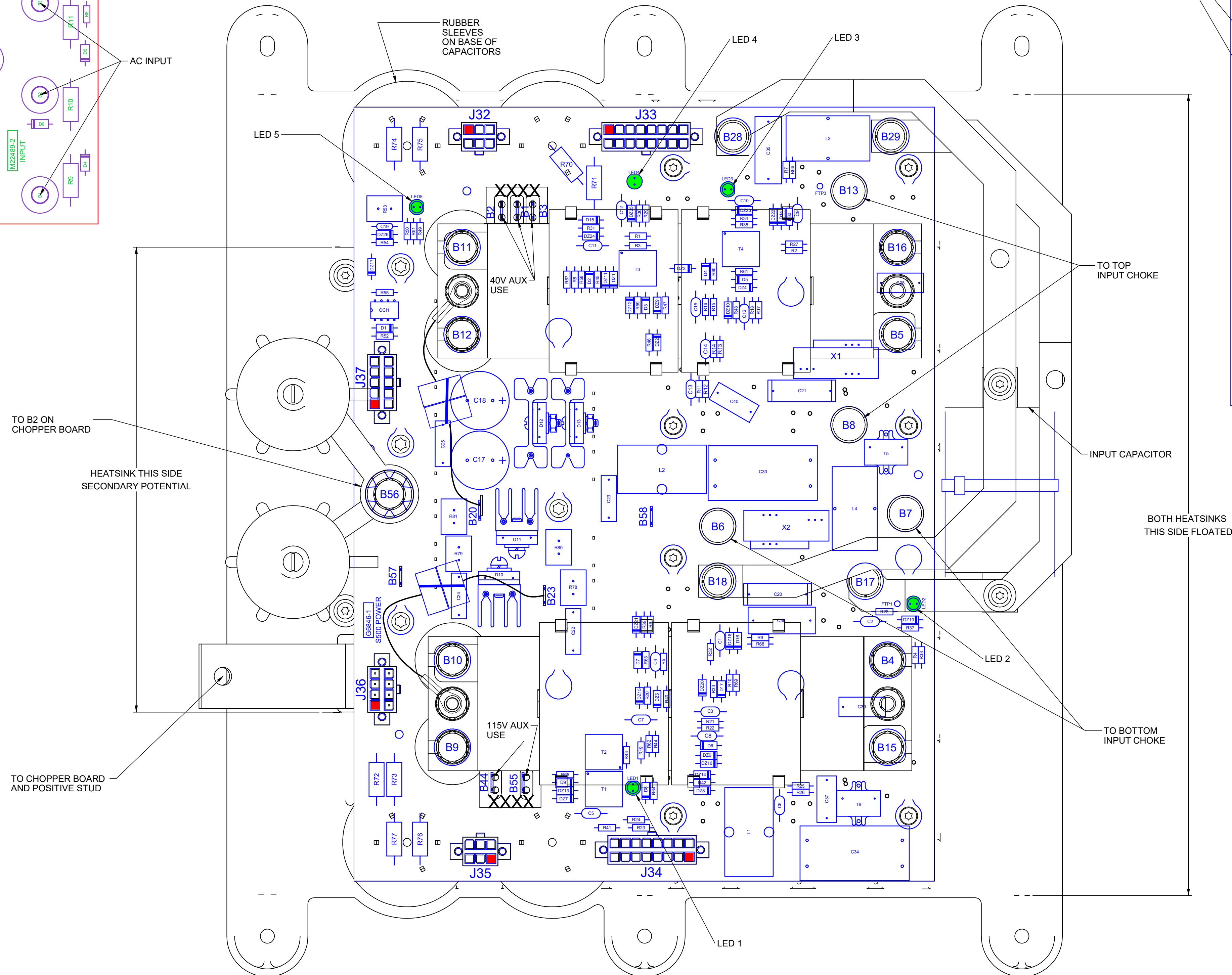
| G6752 FEEDHEAD P.C. BOARD | | |
|---------------------------|-------|-------------------------|
| LED# | COLOR | FUNCTION |
| 1 | GREEN | ARC LINK STATUS "OK" |
| 2 | RED | ARC LINK STATUS "ERROR" |
| 3 | GREEN | PSOC STATUS |
| 4 | GREEN | PSOC STATUS |



INPUT BOARD

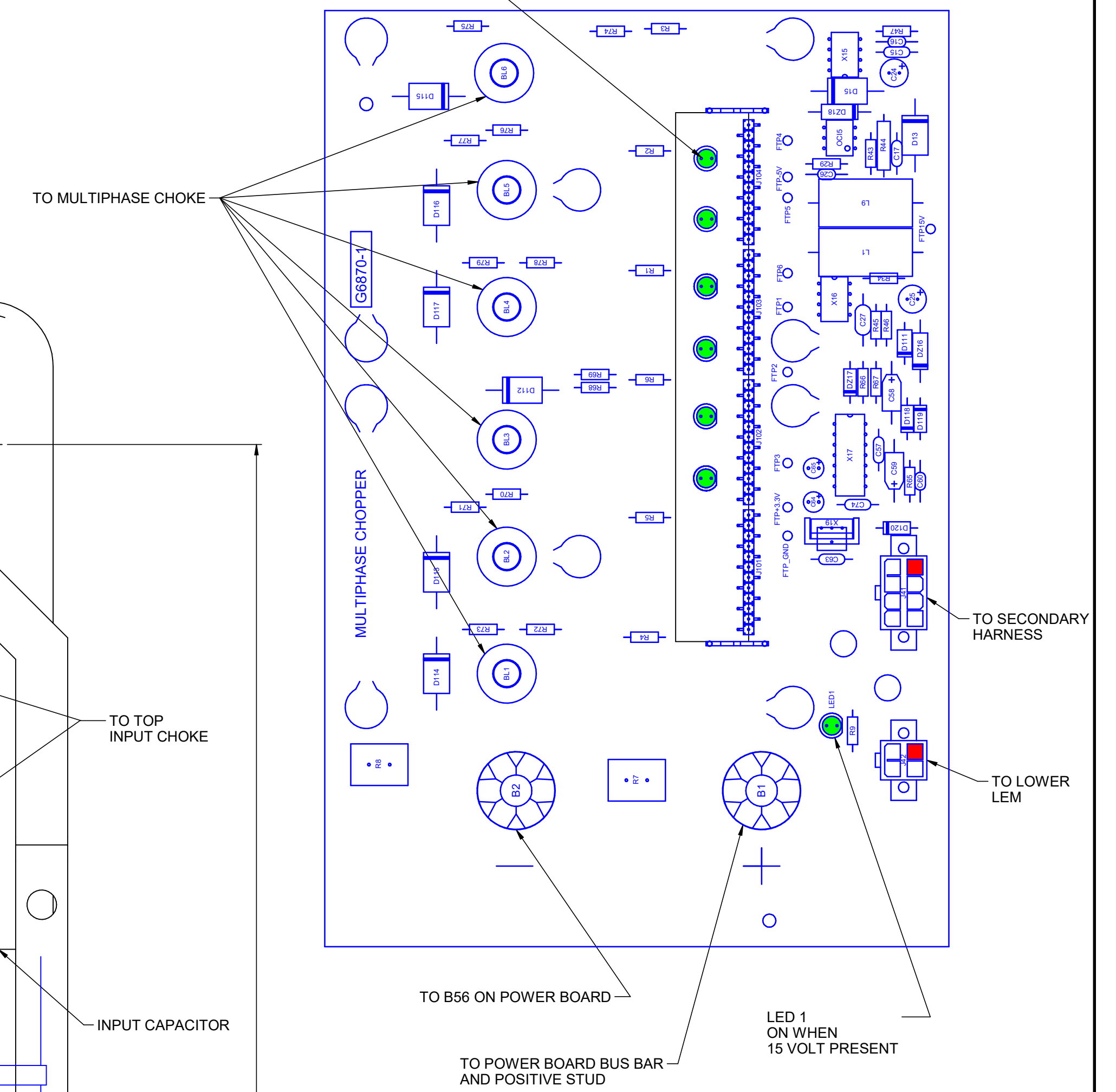


3 STAGE INVERTER SWITCHBOARD P.C. BOARD



MULTIPHASE CHOPPER

LEDS 1-6 ARE LOCATED ON DAUGHTER BOARD, WHICH IS MOUNTED ON AND PERPENDICULAR TO THE CHOPPER. SHOW EACH PHASE THAT IS ACTIVE



Description of LED functions on Power Wave S500
For reference only

| G7150 SWITCHBOARD P.C. BOARD | | |
|------------------------------|-------|--|
| LED # | COLOR | FUNCTION |
| 1 | GREEN | BTM BUCK IGBT DRIVE FUNCTIONING WHEN ON |
| 2 | GREEN | BTM BOOST IGBT DRIVE FUNCTIONING WHEN ON |
| 3 | GREEN | TOP BUCK IGBT DRIVE FUNCTIONING WHEN ON |
| 4 | GREEN | TOP BOOST IGBT DRIVE FUNCTIONING WHEN ON |
| 5 | GREEN | 48 VDC AUXILIARY POWER FUNCTIONING WHEN ON |

■ = MOLEX PIN 1