

# WF 56D

---

Spare Parts.....	1
Figure A: Machine Assembly .....	2
Figure B: Partition Assembly .....	3
Figure C: Wire Drive Assembly .....	4
Figure D: Front Assembly.....	5
Figure E: Back Panel.....	6
Miscellaneous Items (not shown in figure A, B, C, D, E).....	6
Electrical Schematic.....	7
CODE: 50584 .....	7



# Spare Parts

SP50584 REV04  
03/2024

ASSEMBLY PAGE NAME			Machine Assembly	Partition Assembly	Wire Drive Assembly	Front Assembly	Back Panel	Miscellaneous Items
CODE NO.:	K NO.:	FIGURE NO.:	A	B	C	D	G	
50584	W100000177	WF 56D	1	1	1	1	1	1

\*items highlighted in bold are recommended spare parts

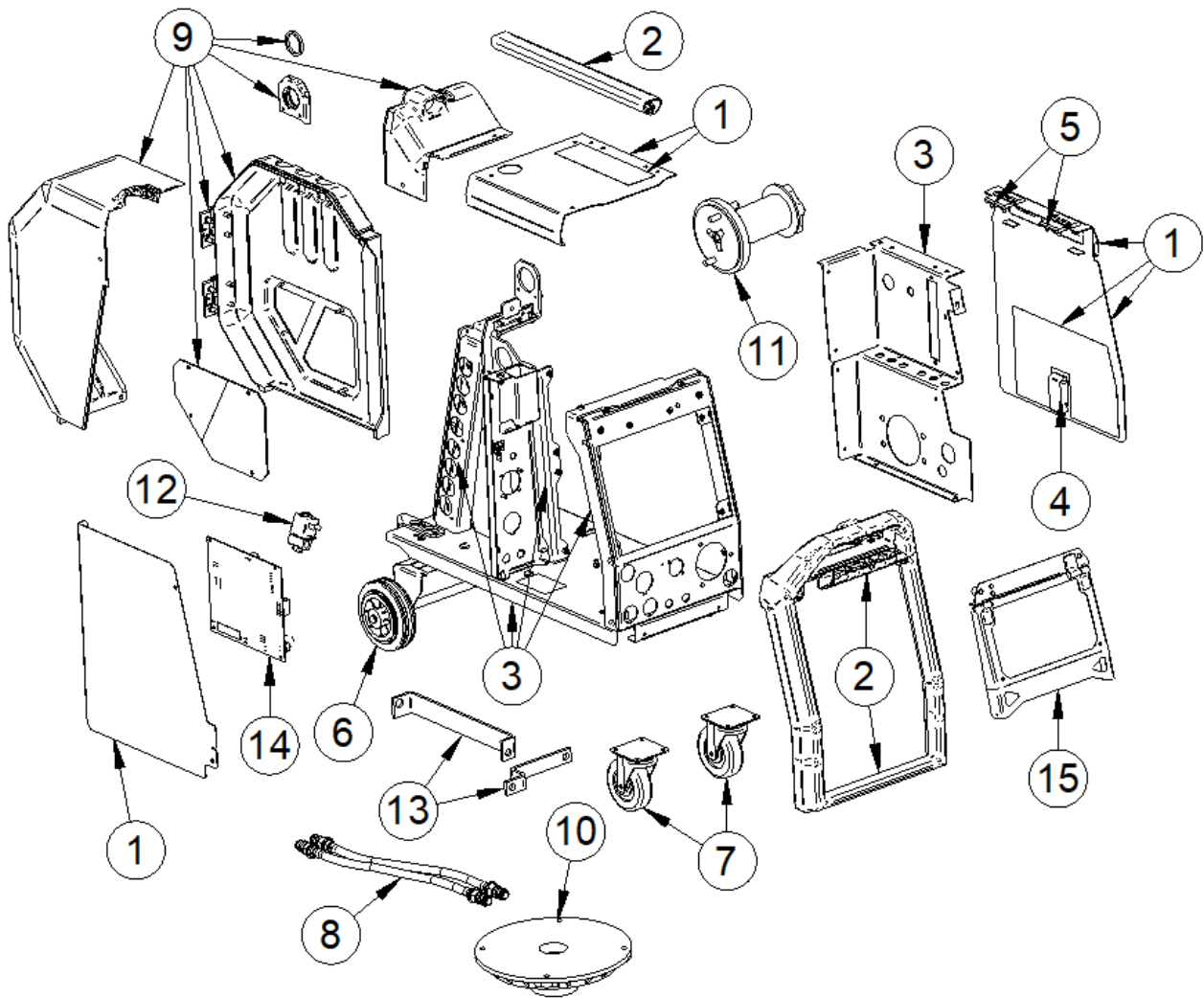


Figure A

**Figure A: Machine Assembly**

Item	Description	Part Number	QTY	1	2	3	4	5	6	7
1	SIDE PANEL KIT includes:	T-8040-123-1R	1	X						
	LEFT SIDE PANEL		1	X						
	RIGHT SIDE PANEL		1	X						
	COVER		1	X						
	LABLE		2	X						
	SHELF		1	X						
2	FRONT PANEL FRAME KIT:	T-8040-067-1R	1	X						
	FRONT PANEL		1	X						
	RED INSERT		1	X						
	HANDLE		1	X						
3	BASE, PARTITION, SHELF KIT:	T-8040-119-1R	1	X						
	BASE ASSEMBLY		1	X						
	PARTITION ASSEMBLY		1	X						
	PARTITION LABEL		1	X						
	FRONT PANEL		1	X						
	BACK LABEL		1	X						
	BRACKET		1	X						
	SCREW M4x12 PH2 NiPL SPRING-FLAT		2	X						
	WASHER M4 FLAT ZINC D=12 ISO7093		4	X						
	RUBBER GASKET GK-2 0,54m		1	X						
4	LOCK	0654-610-004R	1	X						
5	LEAF HINGE	0654-610-007R	2	X						
6	WHEELS	1029-660-006R	2	X						
7	WHELLS	1029-660-004R	2	X						
8	WATER CONNECTION KIT:	T-8040-043-1R	1	X						
	COOLING HOSES		2	X						
	QUICK CONNECTOR		4	X						
9	PLASTIC COVER KIT	T-8040-124-1R	1	X						
10	ROTARY BRACKET	1361-598-180R	1	X						
11	REEL HUB STANDARD	0744-000-192R	1	X						
12	<b>GAS SOLENOID</b>	<b>W8500011R</b>	<b>1</b>	<b>X</b>						
13	CONDUCTOR RAILS KIT	T-8040-045-1R	1	X						
14	<b>CONTROL BOARD</b>	<b>R-6042-094-1R</b>	<b>1</b>	<b>X</b>						
15	CONTROL PANEL COVER KIT	T-8040-100-2R	1	X						

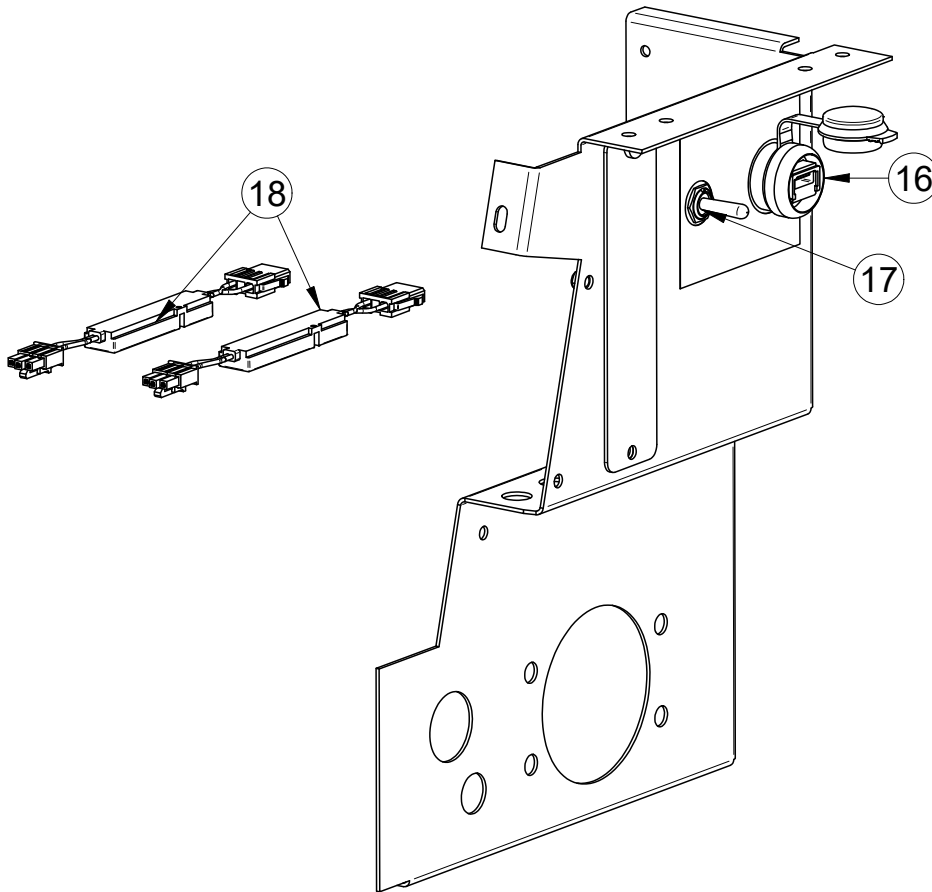


Figure B

Figure B: Partition Assembly

Item	Description	Part Number	QTY	1	2	3	4	5	6	7
16	USB SOCKET	1158-641-061R	1	X						
17	SWITCH	1115-280-004R	1	X						
18	LED MODULE	R-5041-508-1R	2	X						

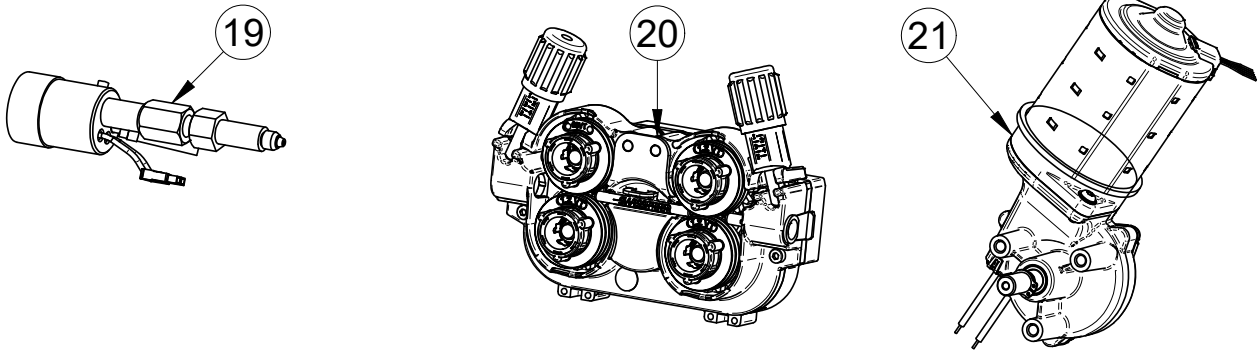


Figure C

Figure C: Wire Drive Assembly

Item	Description	Part Number	QTY	1	2	3	4	5	6	7
19	EURO SOCKET	T-8040-051-1R	1	X						
20	WIRE FEEDER	0744-000-009R	1	X						
21	WIRE MOTOR	T-8040-049-1R	1	X						

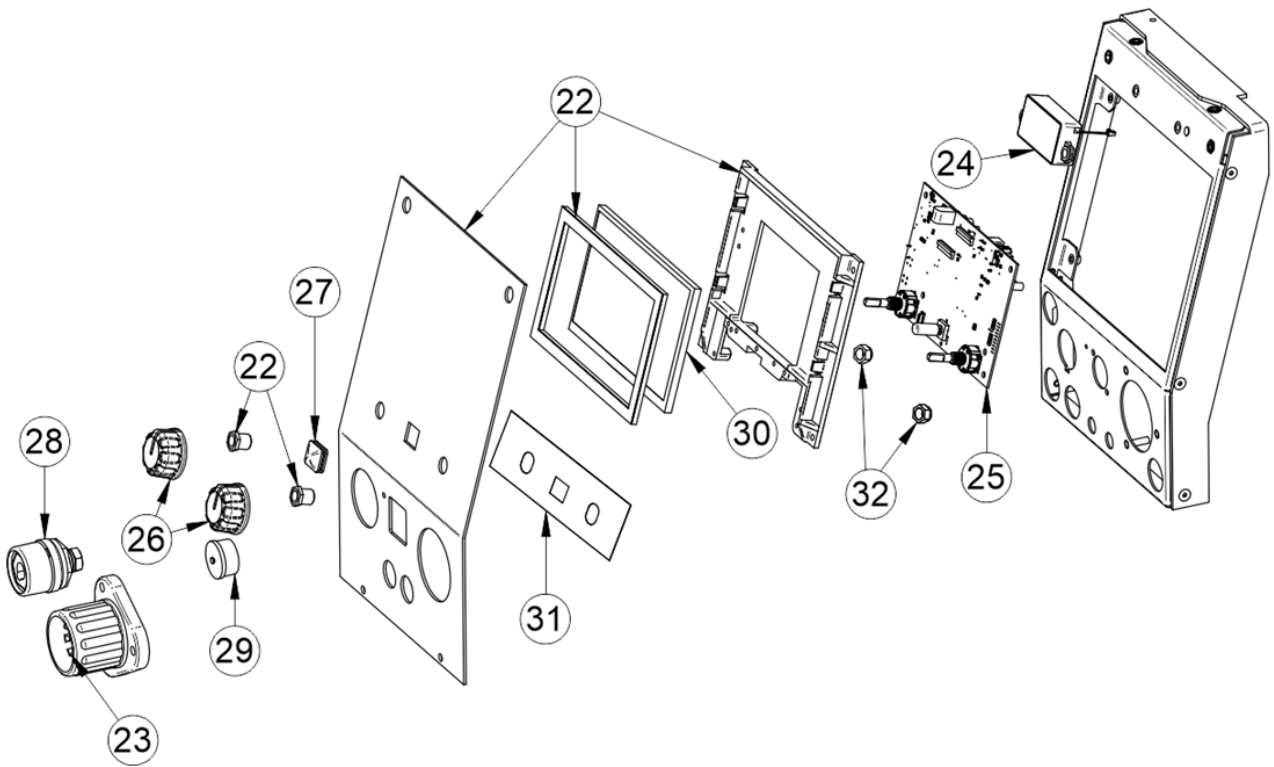


Figure D

**Figure D: Front Assembly**

Item	Description	Part Number	QTY	1	2	3	4	5	6	7
22	FRONT PANEL KIT:	T-8040-126-1R	1	X						
	DISPLAY FRONT PANEL		1	X						
	DISPLAY GASKET		1	X						
	PLASTIC FRAME		1	X						
	SLEEVE		2	X						
	NUT		2	X						
23	EURO SLEEVE	C-1891-006-1R	1	X						
24	SPEAKER	0943-719-016R	1	X						
25	<b>USER INTERFACE PCB</b>	<b>R-6042-098-1R</b>	<b>1</b>	<b>X</b>						
26	KNOB	9SM22778-2	2	X						
27	<b>BUTTON</b>	<b>9SS23055</b>	<b>1</b>	<b>X</b>						
28	SOCKET	90000595PR	1	X						
29	SOCKET COVER	1158-641-159R	1	X						
30	<b>LCD</b>	<b>0942-177-002R</b>	<b>1</b>	<b>X</b>						
31	COPPER LABEL	R-0000-341-1R	1	X						

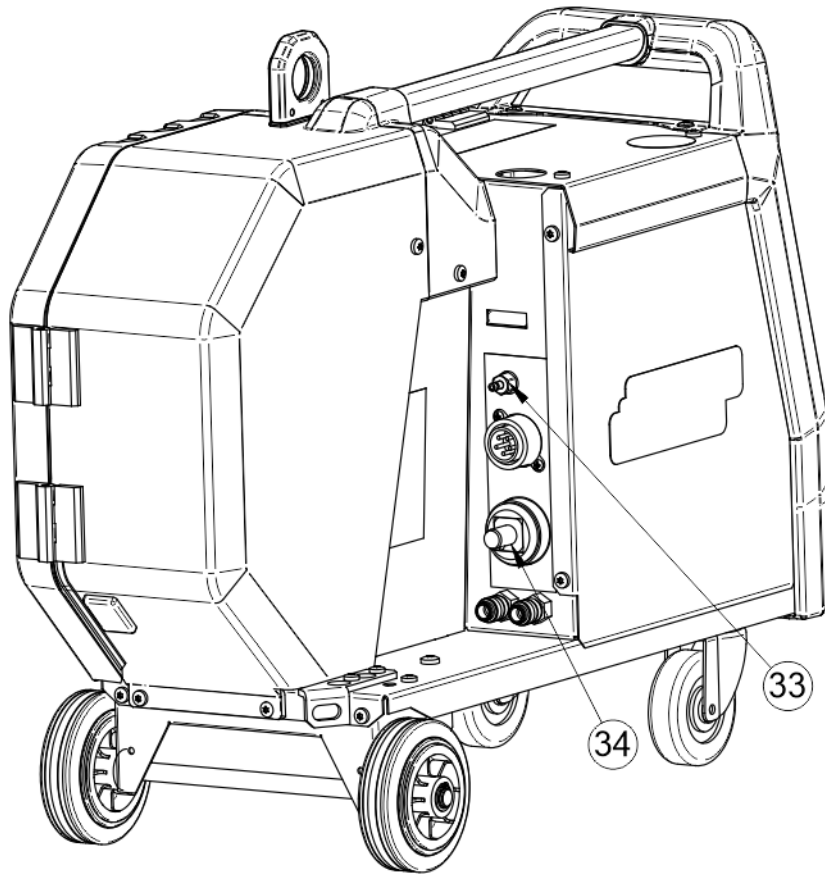


Figure E

**Figure E: Back Panel**

Item	Description	Part Number	QTY	1	2	3	4	5	6	7
33	GAS CONNECTION KIT	T-8040-055-1R	1	X						
34	SOCKET	D-2985-002-1R	1	X						

**Miscellaneous Items (not shown in figure A, B, C, D, E)**

Item	Description	Part Number	QTY	1	2	3	4	5	6	7
35	HARNESS KIT	T-8040-054-1R	1	X						

# Electrical Schematic

CODE: 50584

