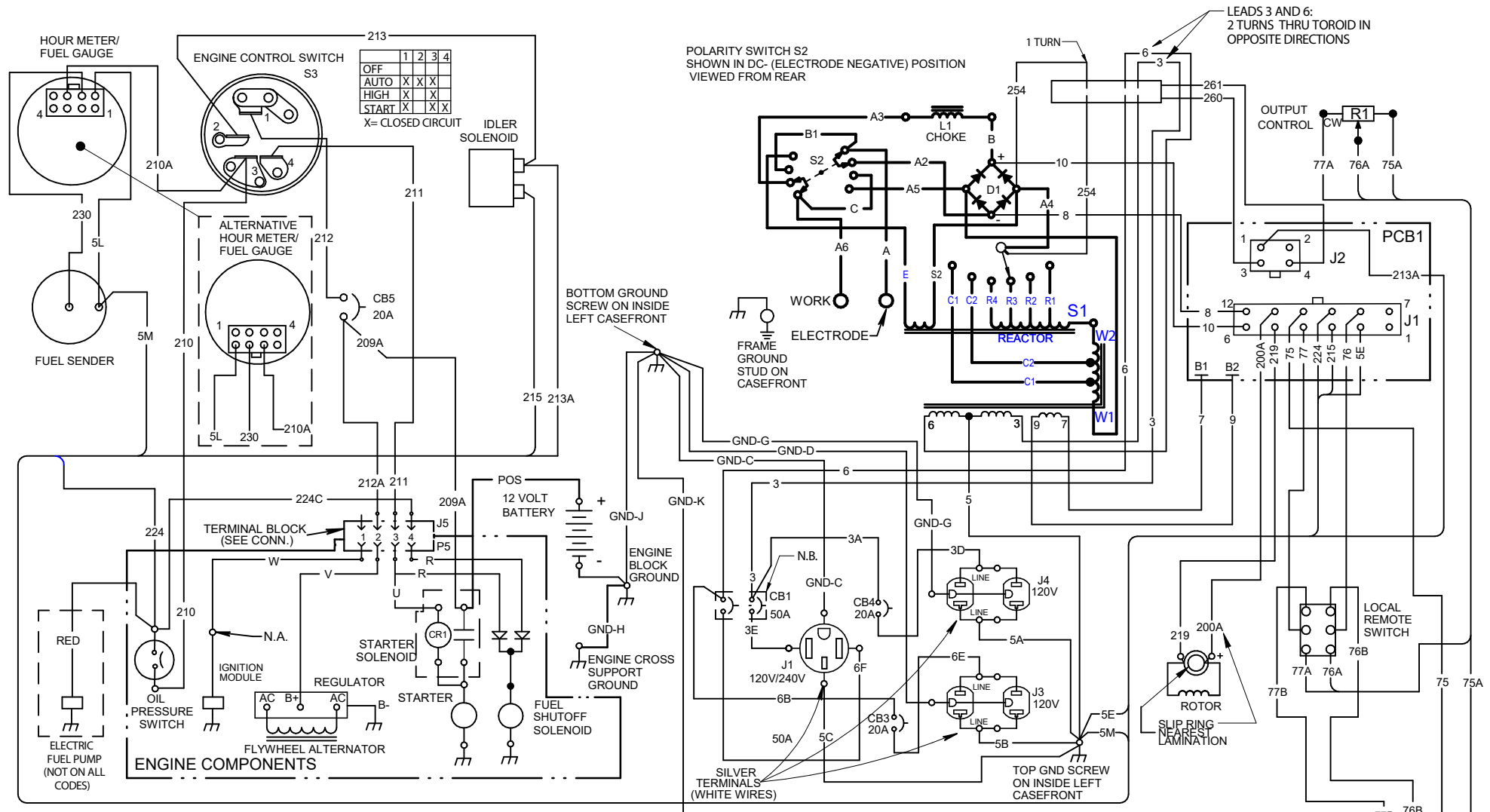
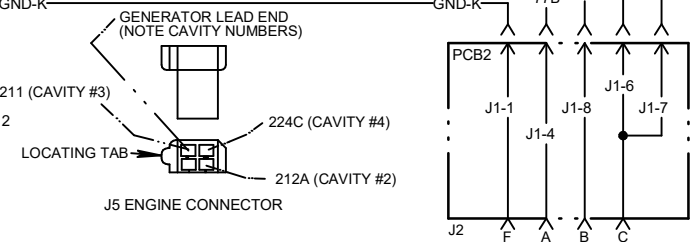
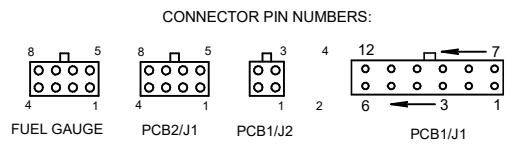


# RANGER 250 WIRING DIAGRAM M22385 REV: B



N.A. GROUNDING THIS TERMINAL STOPS THE ENGINE.  
 N.B. ON MACHINE CODES BELOW 11269, CB1 WAS TWO SINGLE POLE BREAKERS IDENTIFIED AS CB1 & CB2.

**LEAD COLOR CODE:**  
 B = BLACK OR GRAY    U = BLUE  
 R = RED OR PINK      V = VIOLET  
 W = WHITE



ALL CASE FRONT COMPONENTS SHOWN VIEWED FROM REAR.



CLEVELAND, OHIO U.S.A.