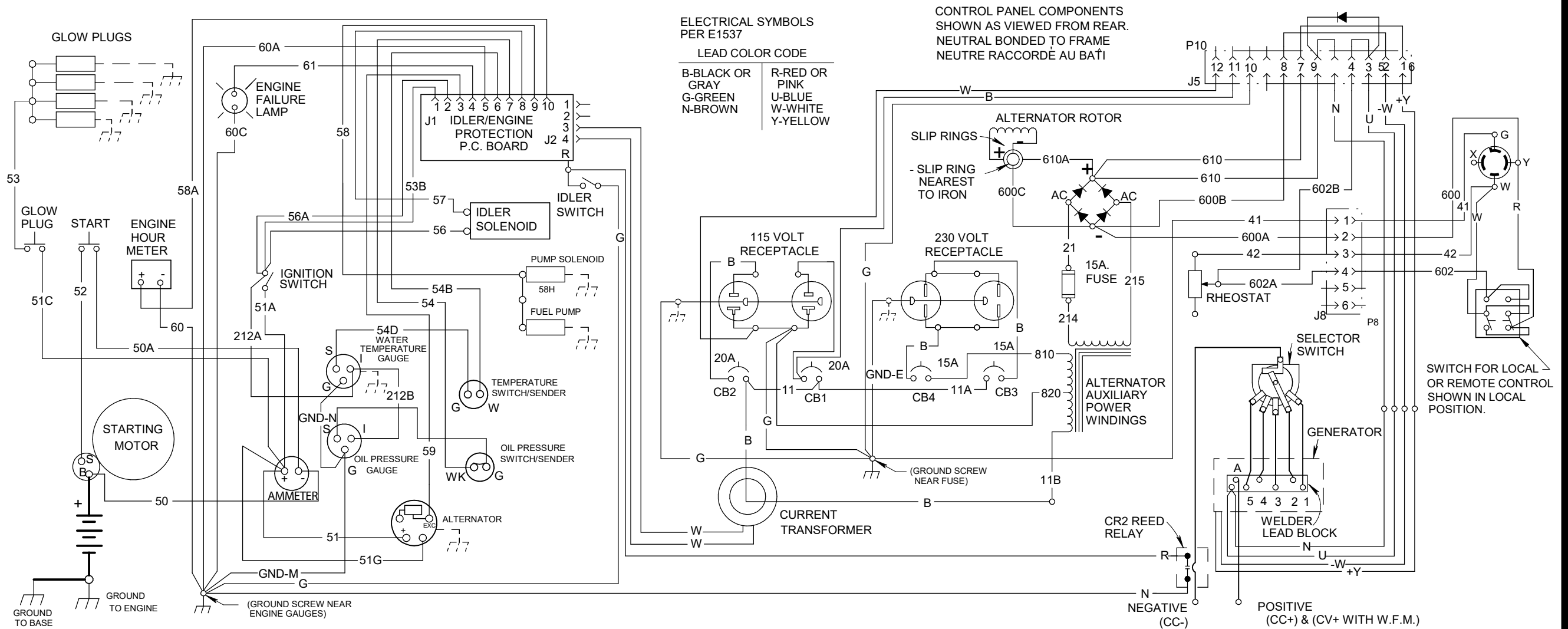
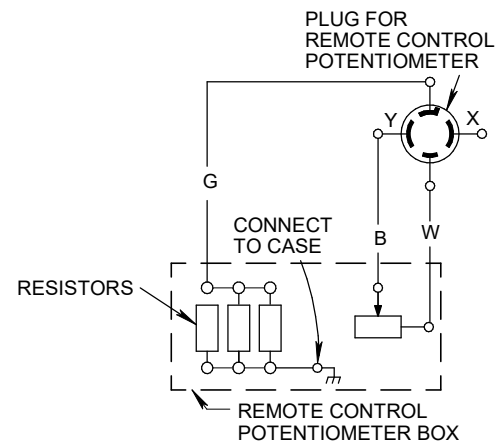


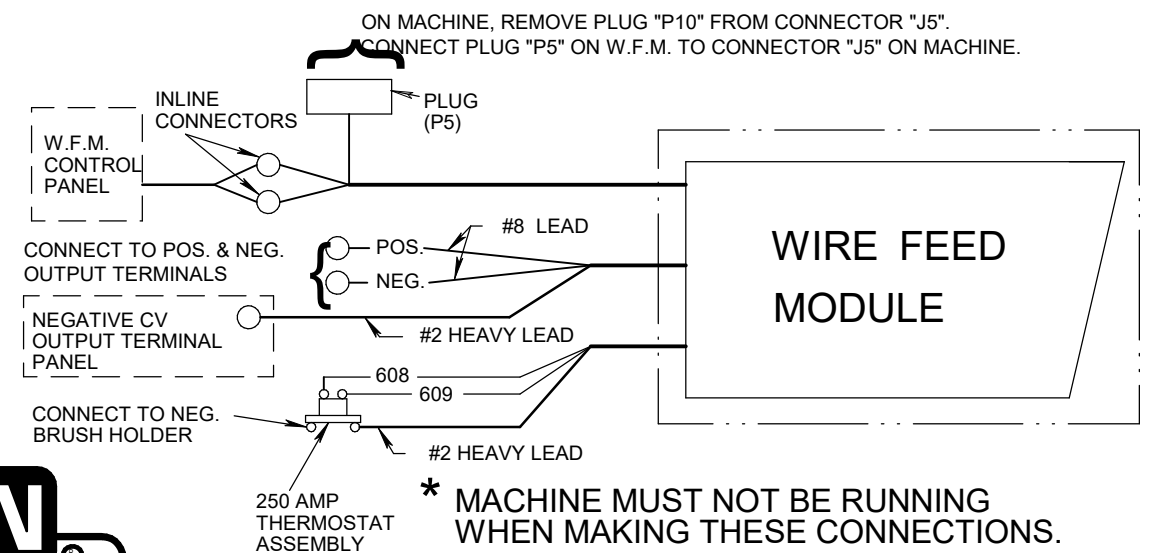
CLASSIC 300D WIRING DIAGRAM L11865 REV: C



K924-5 REMOTE CONTROL (OPTIONAL)



WIRE FEED MODULE (OPTIONAL)



**LINCOLN
ELECTRIC**

TORONTO, ONTARIO, CANADA