

# TOMAHAWK® 30K & 45

---

|  |   |
|--|---|
| Spare Parts.....                                       | 1 |
| Figure A: Machine Assembly.....                        | 2 |
| Figure B: Inside Machine Assembly.....                 | 3 |
| Figure C: Front Assembly.....                          | 4 |
| Miscellaneous Items (not shown in figure A, B, C)..... | 4 |
| Electrical Schematic.....                              | 5 |
| CODE: 50627 .....                                      | 5 |
| CODE: 50628 .....                                      | 6 |



# Spare Parts

SP50627, SP50628 REV01  
02/2023

| ASSEMBLY PAGE NAME |          |              | Machine Assembly | Machine Assembly | Machine Assembly | Miscellaneous Items |  |  |
|--------------------|----------|--------------|------------------|------------------|------------------|---------------------|--|--|
| CODE NO.:          | K NO.:   | FIGURE NO.:  | A                | B                | C                | -                   |  |  |
| 50627              | K12038-3 | TOMAHAWK®30K | 1                | 1                | 1                | 1                   |  |  |
| 50628              | K14391-1 | TOMAHAWK®45  | 2                | 2                | 2                | 2                   |  |  |

\*items highlighted in bold are recommended spare parts.

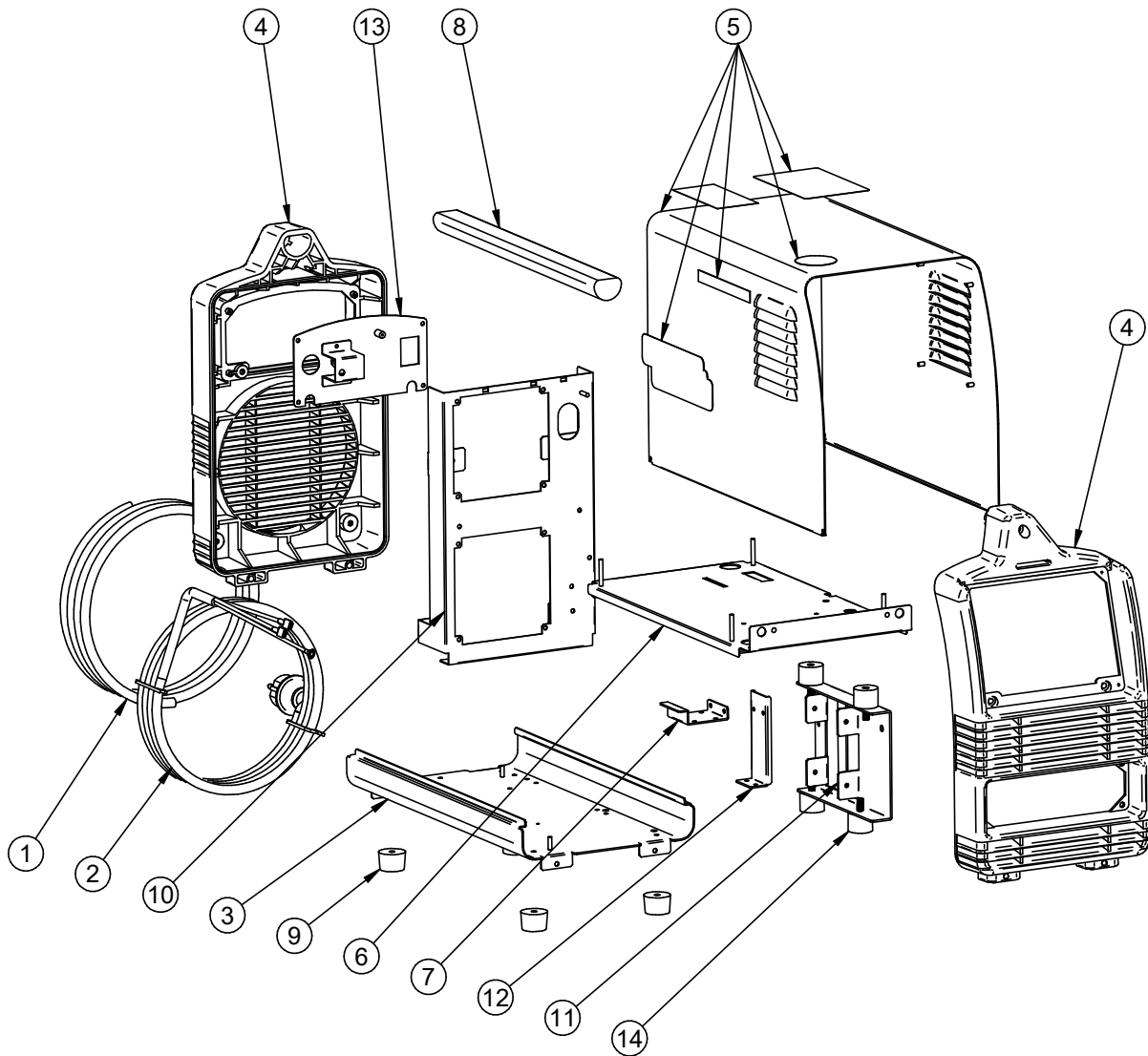


Figure A

**Figure A: Machine Assembly**

| Item | Description              | Part Number   | QTY | 1 | 2 | 3 | 4 | 5 | 6 | 7 |  |
|------|--------------------------|---------------|-----|---|---|---|---|---|---|---|--|
| 1    | GROUND CABLE-3M-4        | S33578-1-41   | 1   | X | X |   |   |   |   |   |  |
| 2    | MAIN INPUT CORD          | S33578-1-39   | 1   | X | X |   |   |   |   |   |  |
| 3    | BASE ASSEMBLY            | S33578-1-2    | 1   | X | X |   |   |   |   |   |  |
| 4    | FRONT AND REAR PANEL KIT | T-8040-192-1R | 1   | X | X |   |   |   |   |   |  |
| 5    | COVER KIT                | T-8040-193-1R | 1   | X |   |   |   |   |   |   |  |
|      | TOMAHAWK LABEL           |               | 2   | X |   |   |   |   |   |   |  |
|      | LABEL                    |               | 1   | X |   |   |   |   |   |   |  |
|      | LINCOLN ELECTRIC LABEL   |               | 2   | X |   |   |   |   |   |   |  |
|      | TORCH LABEL              |               | 1   | X |   |   |   |   |   |   |  |
|      | COVER                    |               | 1   | X |   |   |   |   |   |   |  |
| 5    | COVER KIT                | T-8040-193-2R | 1   |   | X |   |   |   |   |   |  |
|      | TOMAHAWK LABEL           |               | 2   |   | X |   |   |   |   |   |  |
|      | LABEL                    |               | 1   |   | X |   |   |   |   |   |  |
|      | LINCOLN ELECTRIC LABEL   |               | 2   |   | X |   |   |   |   |   |  |
|      | TORCH LABEL              |               | 1   |   | X |   |   |   |   |   |  |
|      | COVER                    |               | 1   |   | X |   |   |   |   |   |  |
| 6    | SHELF                    | S33578-1-5    | 1   | X |   |   |   |   |   |   |  |
|      | SHELF                    | S33579-1-5    | 1   |   | X |   |   |   |   |   |  |
| 7    | BRACKET                  | S33578-1-18   | 1   | X |   |   |   |   |   |   |  |
| 8    | HANDLE                   | S33578-1-16   | 1   | X | X |   |   |   |   |   |  |
| 9    | FOOT                     | S33578-1-21   | 4   | X | X |   |   |   |   |   |  |
| 10   | FAN BRACKET              | S33578-1-4    | 1   | X | X |   |   |   |   |   |  |
| 11   | COMPRESSOR BRACKET       | S33578-1-28   | 1   | X |   |   |   |   |   |   |  |
| 12   | AIR FILTER BRACKET       | S33578-1-22   | 1   | X | X |   |   |   |   |   |  |
| 13   | REAR PANEL PLATE         | S33578-1-6    | 1   | X | X |   |   |   |   |   |  |
| 14   | SILENTNBLOCK             | S33578-1-29   | 4   | X |   |   |   |   |   |   |  |

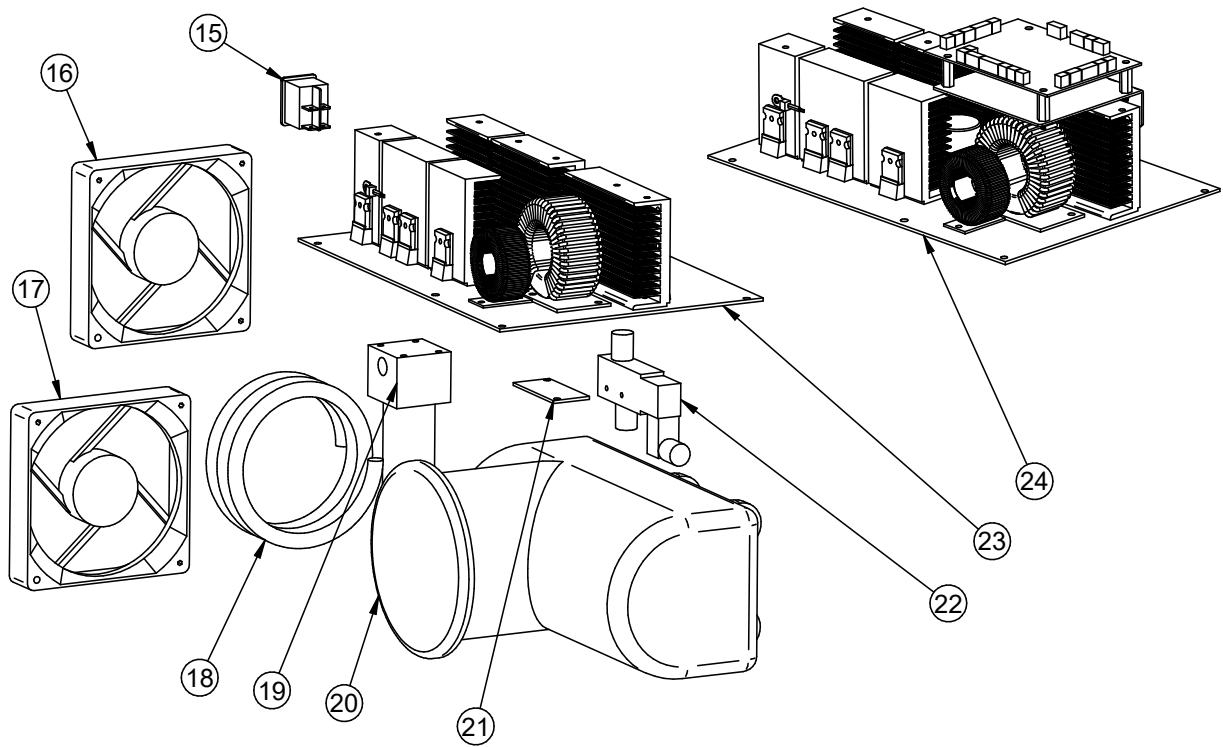


Figure B

Figure B: Inside Machine Assembly

| Item | Description    | Part Number | QTY | 1 | 2 | 3 | 4 | 5 | 6 | 7 |
|------|----------------|-------------|-----|---|---|---|---|---|---|---|
| 15   | MAIN SWITCH    | S33578-1-17 | 1   | X | X |   |   |   |   |   |
| 16   | FAN DC 24V     | S33578-1-12 | 1   | X | X |   |   |   |   |   |
| 17   | FAN 240V       | S33578-1-7  | 1   | X |   |   |   |   |   |   |
| 18   | COOLING SPIRAL | S33578-1-19 | 1   | X |   |   |   |   |   |   |
| 19   | AIR FILTER     | S33578-1-9  | 1   | X | X |   |   |   |   |   |
| 20   | COMPRESSOR     | S33578-1-33 | 1   | X |   |   |   |   |   |   |
| 21   | COMPRESSOR PCB | S33578-1-11 | 1   | X |   |   |   |   |   |   |
| 22   | ELECTRO VALVE  | S33578-1-20 | 1   | X | X |   |   |   |   |   |
| 23   | POWER PCB      | S33578-1-32 | 1   | X |   |   |   |   |   |   |
| 24   | POWER PCB      | S33579-1-32 | 1   |   | X |   |   |   |   |   |

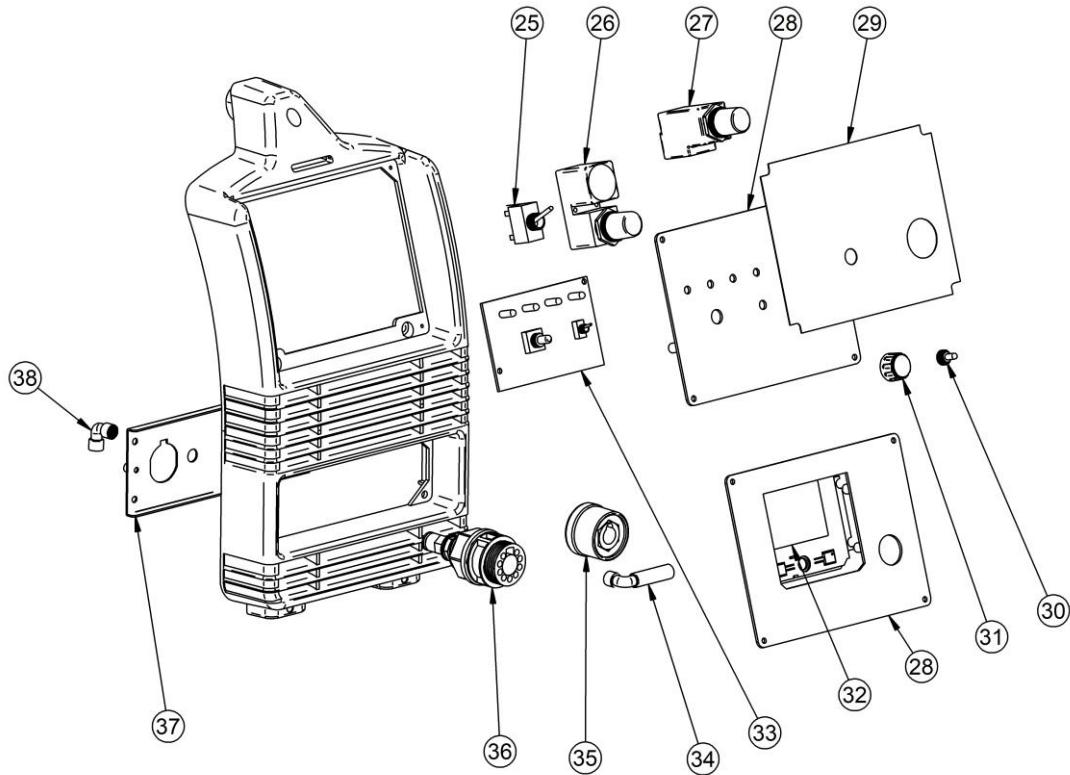


Figure C

Figure C: Front Assembly

| Item | Description             | Part Number        | QTY      | 1        | 2        | 3 | 4 | 5 | 6 | 7 |
|------|-------------------------|--------------------|----------|----------|----------|---|---|---|---|---|
| 25   | SWITCH                  | S33578-1-35        | 1        | X        |          |   |   |   |   |   |
| 26   | PRESSURE GAUGE          | S33578-1-23        | 1        | X        |          |   |   |   |   |   |
| 27   | PRESSURE GAUGE          | S33579-1-23        | 1        |          | X        |   |   |   |   |   |
| 28   | FRONT SHEET METAL PLATE | S33578-1-26        | 1        | X        |          |   |   |   |   |   |
|      | FRONT SHEET METAL PLATE | S33579-1-25        | 1        |          | X        |   |   |   |   |   |
| 29   | FRONT PANEL DECAL       | R-0000-373-1R      | 1        | X        |          |   |   |   |   |   |
|      | FRONT PANEL DECAL       | R-0000-373-2R      | 1        |          | X        |   |   |   |   |   |
| 30   | FLOW TEST SWITCH        | S33578-1-24        | 1        | X        |          |   |   |   |   |   |
| 31   | KNOB                    | S33578-1-25        | 1        | X        |          |   |   |   |   |   |
| 31   | KNOB                    | S33579-1-24        | 1        |          | X        |   |   |   |   |   |
| 32   | LCD SCREEN              | <b>S33579-1-27</b> | <b>1</b> |          | <b>X</b> |   |   |   |   |   |
| 33   | FRONT PANEL UI          | <b>S33578-1-27</b> | <b>1</b> | <b>X</b> |          |   |   |   |   |   |
| 34   | AIR FILTER              | S33578-1-31        | 1        | X        |          |   |   |   |   |   |
| 35   | WELDING SOCKET          | S33578-1-30        | 1        | X        | X        |   |   |   |   |   |
| 36   | TORCH EURO CONNECTION   | S33578-1-13        | 1        | X        |          |   |   |   |   |   |
|      | TORCH EURO CONNECTION   | S33579-1-13        | 1        |          | X        |   |   |   |   |   |
| 37   | FRONT SHEET METAL PLATE | S33578-1-34        | 1        | X        |          |   |   |   |   |   |
|      | FRONT SHEET METAL PLATE | S33579-1-26        | 1        |          | X        |   |   |   |   |   |
| 38   | ELBOW                   | S33578-1-14        | 1        | X        |          |   |   |   |   |   |

Miscellaneous Items (not shown in figure A, B, C)

| Item | Description               | Part Number   | QTY | 1 | 2 | 3 | 4 | 5 | 6 | 7 |
|------|---------------------------|---------------|-----|---|---|---|---|---|---|---|
| 39   | AIR TUBES KIT             | T-8040-194-1R | 1   | X |   |   |   |   |   |   |
|      | AIR TUBES KIT             | T-8040-194-2R | 1   |   | X |   |   |   |   |   |
| 40   | LC30 4M PLASMA HAND TORCH | R-0000-389-1R | 1   | X |   |   |   |   |   |   |
| 41   | LC45 6M PLASMA HAND TORCH | R-0000-390-1R | 1   |   | X |   |   |   |   |   |

# Electrical Schematic

CODE: 50627

