

**M12149, 83-382, P10015, PCS21, YA2225**

# M12149, YA2225, 83-382, P10015

Item	Stock #	Customer #	Description
1	412-754-666	260457	Support
2	411-118-026	260460	Left Side Panel
3	412-755-666	260459	Center Divider
4	246-519-666	B7053370	Contactora
5		251145	Rectifier
6	239-298-666	B7009380	Terminal Board
8	880-593-000	251148	Control Circuit Board
10	238-707-666	251150	Input Cable
11	246-532-666	B7005380	Pressure Switch
12	246-530-666	251036	Solenoid
13	254-006-666	B7006380	Regulator
14	251-030-666	B7014380	Gauge
15	216-110-666	260453	Fan Motor
16	213-043-666	260468	Capacitor
18		251153	Elbow Fitting
19	215-036-666	B7029380	Resistor
20	253-341-666	B7004380	Fitting
23	260-001-666	251155	Capacitor
24	246-531-666	251156	Thermostat
26	312-515-666	250975	Handle
27		260497	Control Panel
28	411-110-026	260461	Right Side Panel

Item	Stock #	Customer #	Description
29	880-579-666	260464	Transformer
30	411-116-016	260500	Base
31	312-516-666	260470	Front Panel Frame
32	238-708-666	251159	Ground Cable
33		251160	Torch Cable
34	312-518-666	B7037380	Torch Handle & Trigger
35	334-651-000	M15810,YA22259,83-662	Nozzle Holder
36	334-653-000	M15814,YA22252,83-666	Standard Nozzle, 1mm
	334-593-000	M15805,YA22254,83-631	Long Nozzle, 1mm (3)
37	334-589-000	M15803,M15852,YA22257,83-629	Diffuser (2)
38	334-592-000	M15802,YA22251,83-628	Standard Electrode (5)
	334-594-000	M15807,YA22253,83-633	Long Electrode (2)
39	334-629-000	B7039380	Torch Head
<b>40</b>	<b>334-636-000</b>	<b>M15822,250748,83-675</b>	<b>Torch, 13FT</b>
41	414-020-666	B7018380	Strain Relief
42	246-537-666	B7069370	Switch
43		247541	Warning Label
44		247542	Warning Label
45		247505	Label
46		247509	Warning Label
47	411-119-026	260466	Top Panel
48	512-265-666	260467	Rubber Mat

8/17/2006

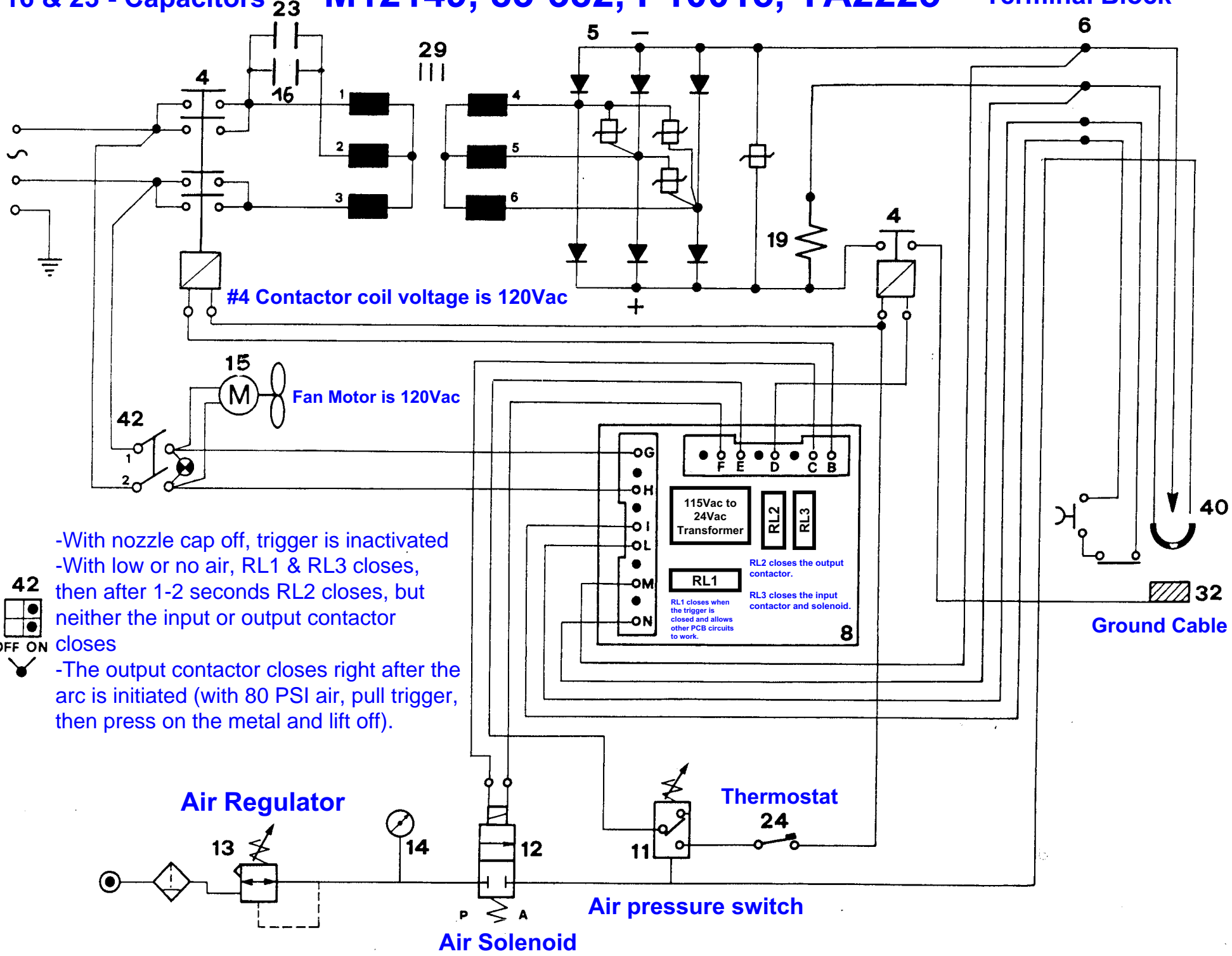
Model	Primary Input	Input Plug	Duty Cycle at Rated Output
M12149	120 Vac	15A	20%

Rated Output	Voltage Settings	Agency Listing	Max Cutting Thickness
25 amps	1	CSA	3/16"

16 & 23 - Capacitors

M12149, 83-382, P10015, YA2225

Terminal Block



#4 Contactor coil voltage is 120Vac

Fan Motor is 120Vac

115Vac to 24Vac Transformer

RL1

RL2

RL3

RL1 closes when the trigger is closed and allows other PCB circuits to work.

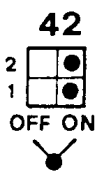
RL2 closes the output contactor.

RL3 closes the input contactor and solenoid.

-With nozzle cap off, trigger is inactivated

-With low or no air, RL1 & RL3 closes, then after 1-2 seconds RL2 closes, but neither the input or output contactor closes

-The output contactor closes right after the arc is initiated (with 80 PSI air, pull trigger, then press on the metal and lift off).



Air Regulator

Thermostat

Air pressure switch

Air Solenoid

Ground Cable