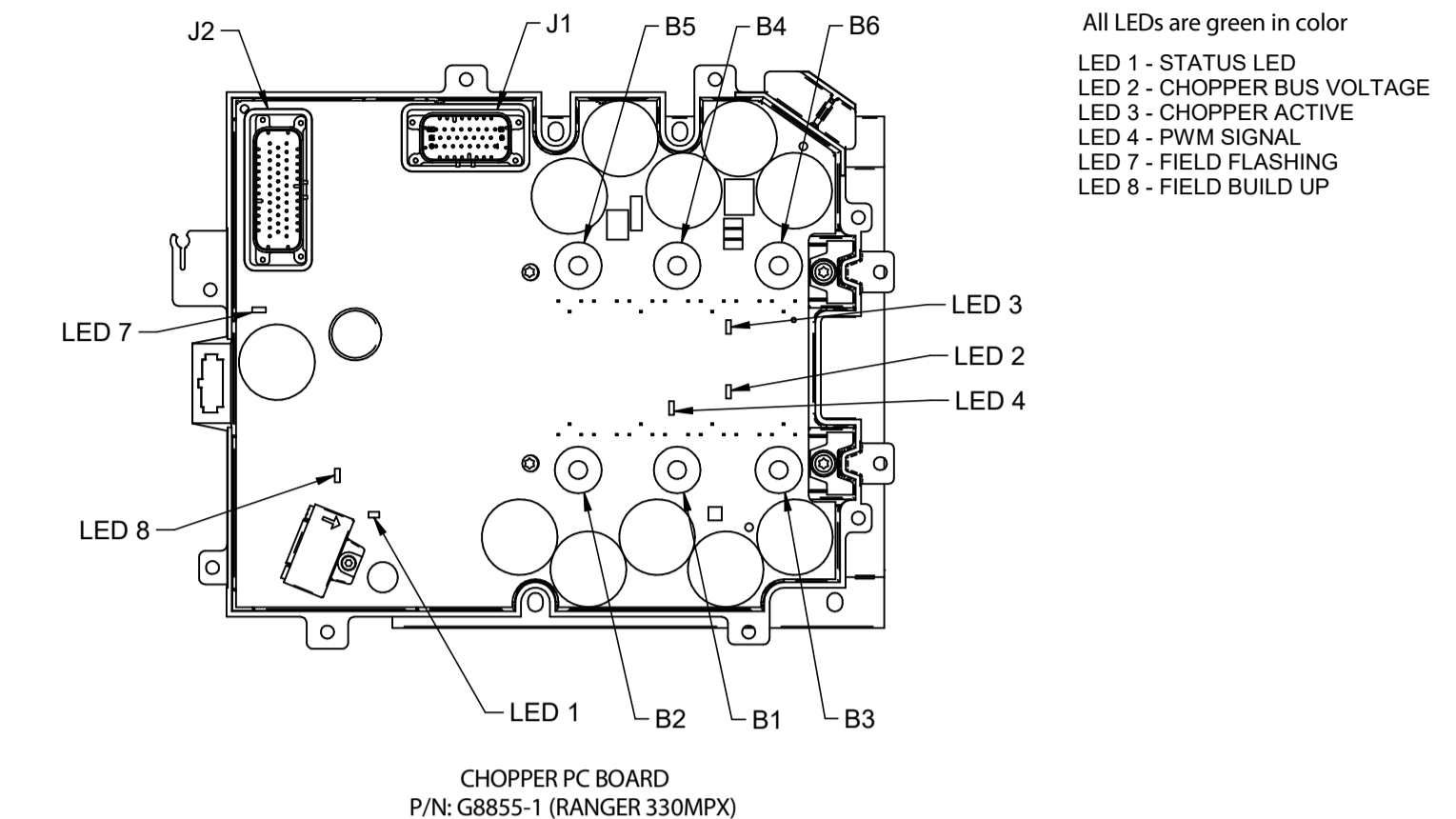
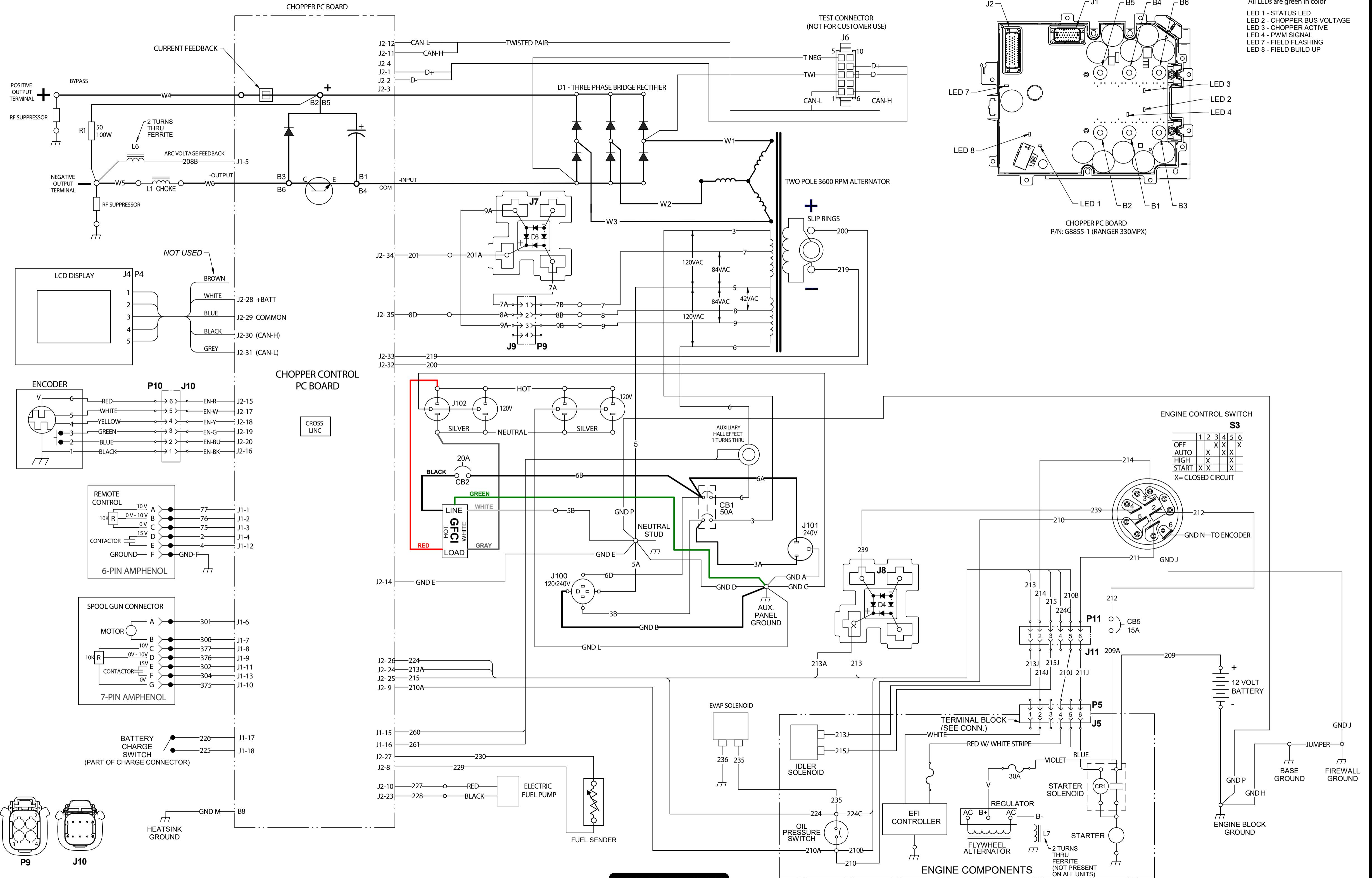
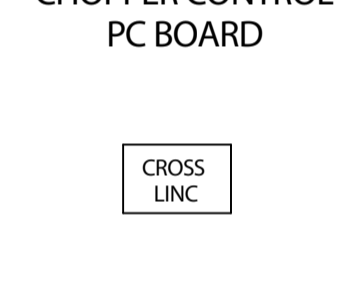
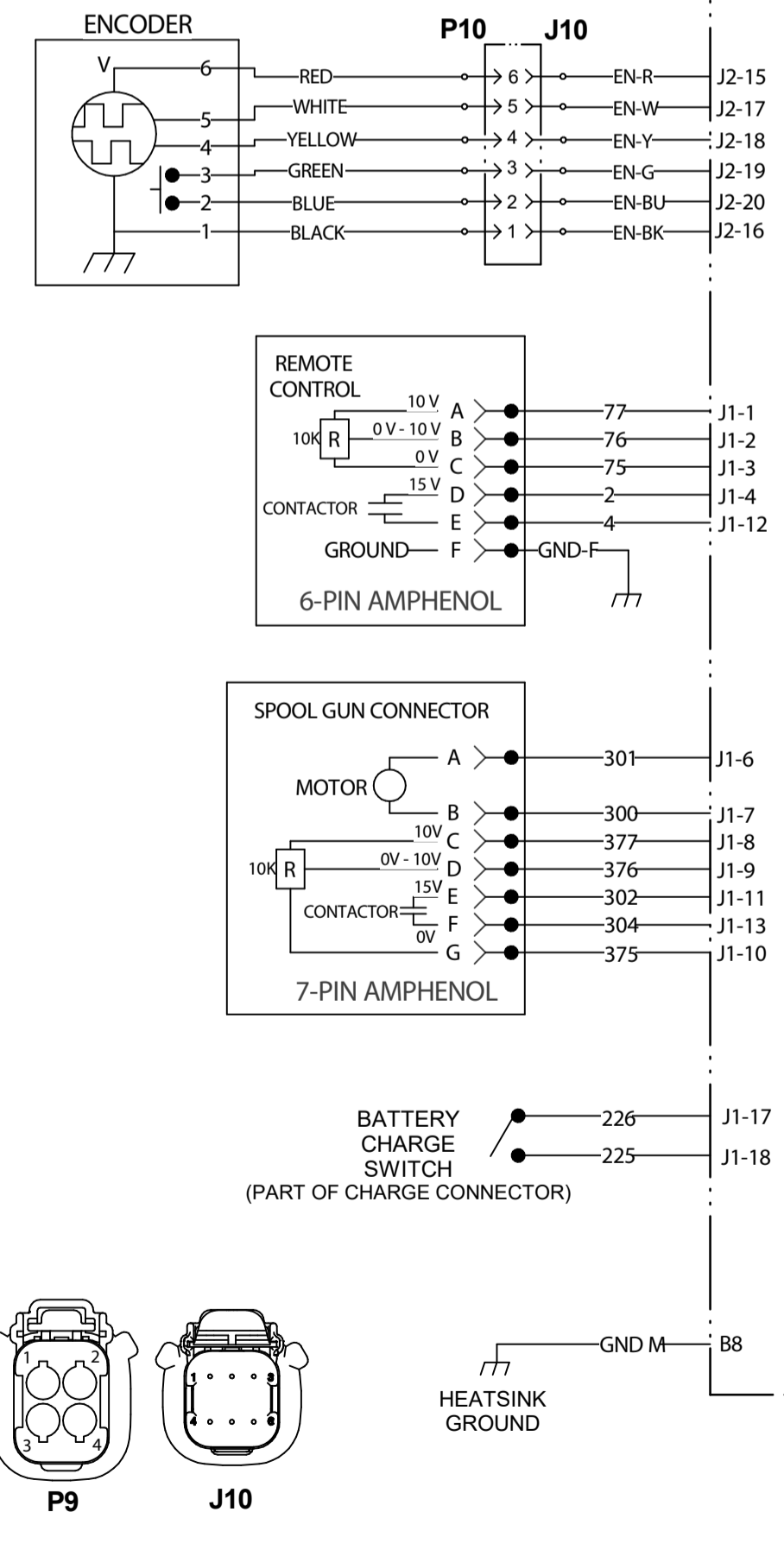
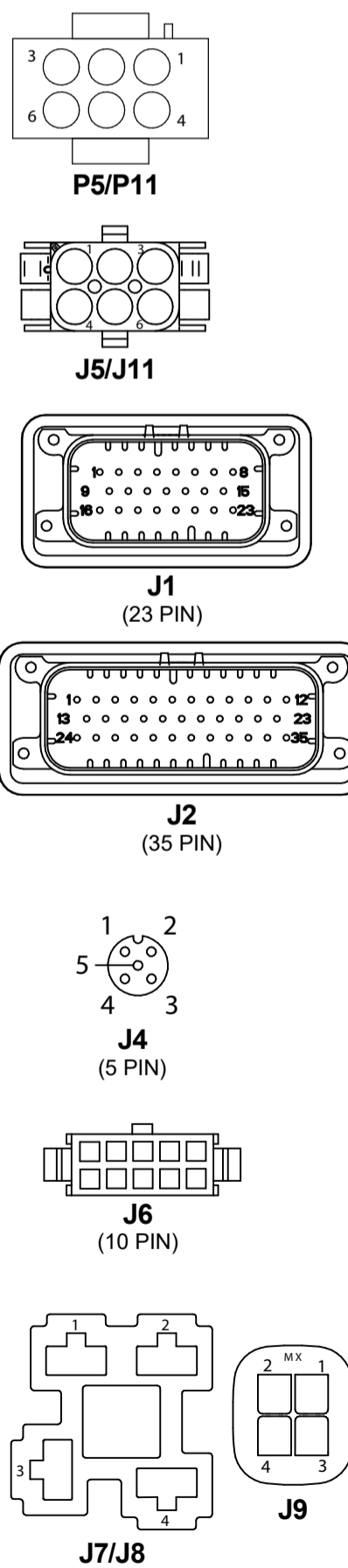


# RANGER 330MPX EFI WIRING DIAGRAM G10114 REV:B

Open Circuit Volts:		
	Max	Min
CC	57	57
CV	57	57
Pipe	57	57
Tig	15	15



- All LEDs are green in color
- LED 1 - STATUS LED
- LED 2 - CHOPPER BUS VOLTAGE
- LED 3 - CHOPPER ACTIVE
- LED 4 - PWM SIGNAL
- LED 7 - FIELD FLASHING
- LED 8 - FIELD BUILD UP



ENGINE CONTROL SWITCH S3						
	1	2	3	4	5	6
OFF	X	X	X	X	X	X
AUTO	X	X	X	X	X	X
HIGH	X	X	X	X	X	X
START	X	X	X	X	X	X

X = CLOSED CIRCUIT