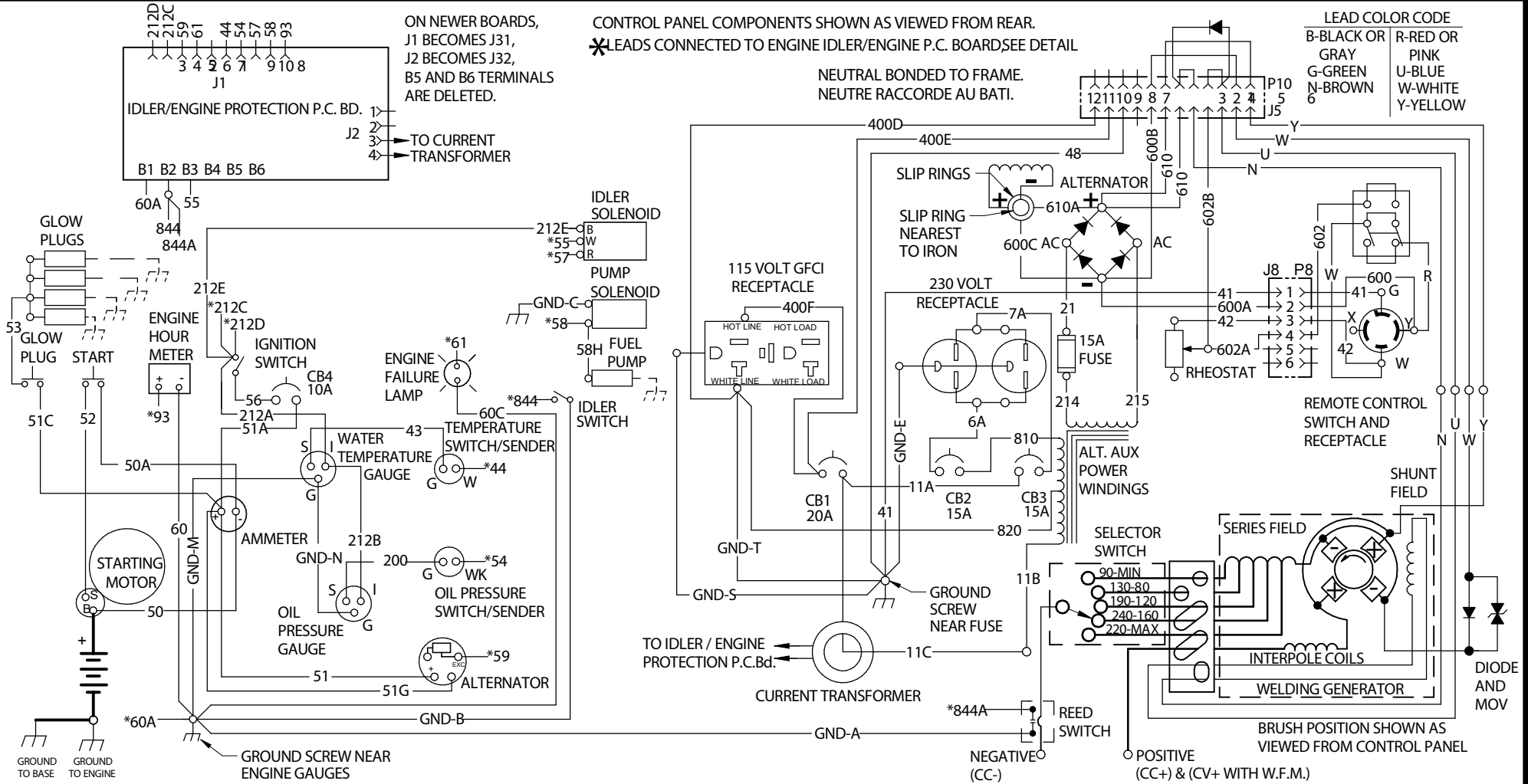
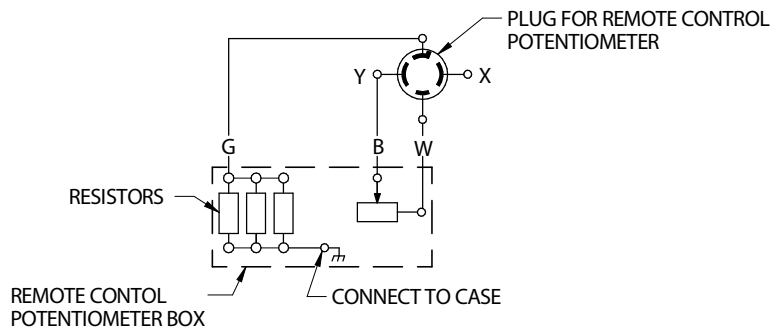


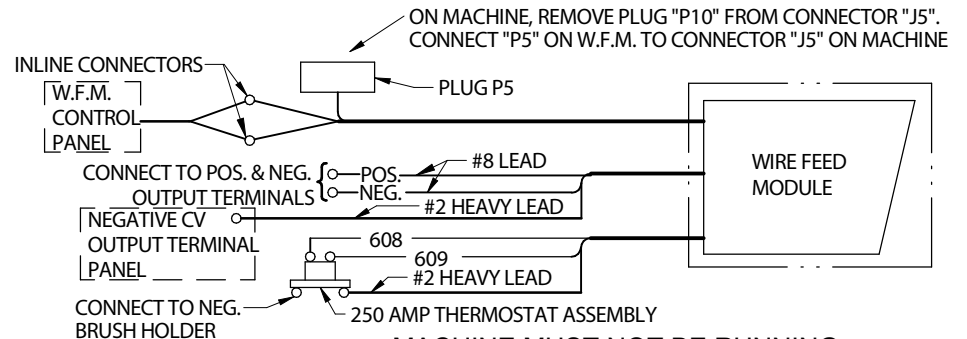
CLASSIC 300 D WIRING DIAGRAM M20499 REV: B



K924-5 REMOTE CONTROL (OPTIONAL)



WIRE FEED MODULE (OPTIONAL)



MACHINE MUST NOT BE RUNNING WHEN MAKING THESE CONNECTIONS.