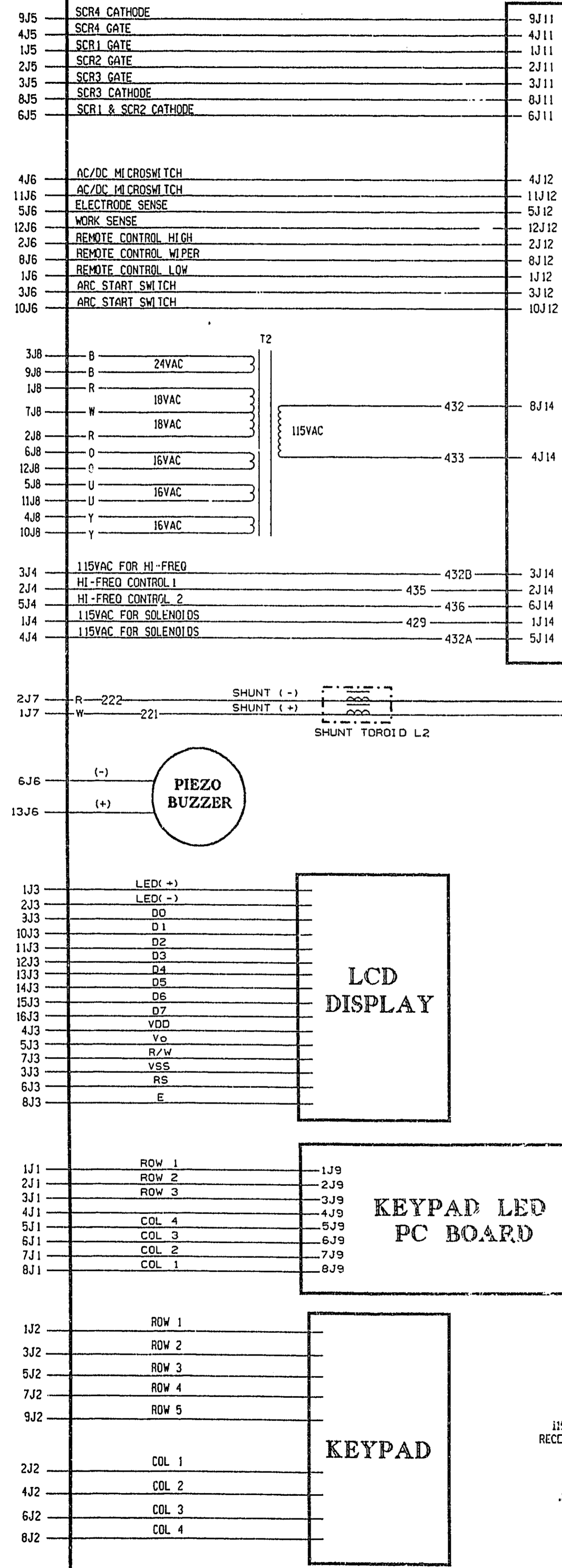
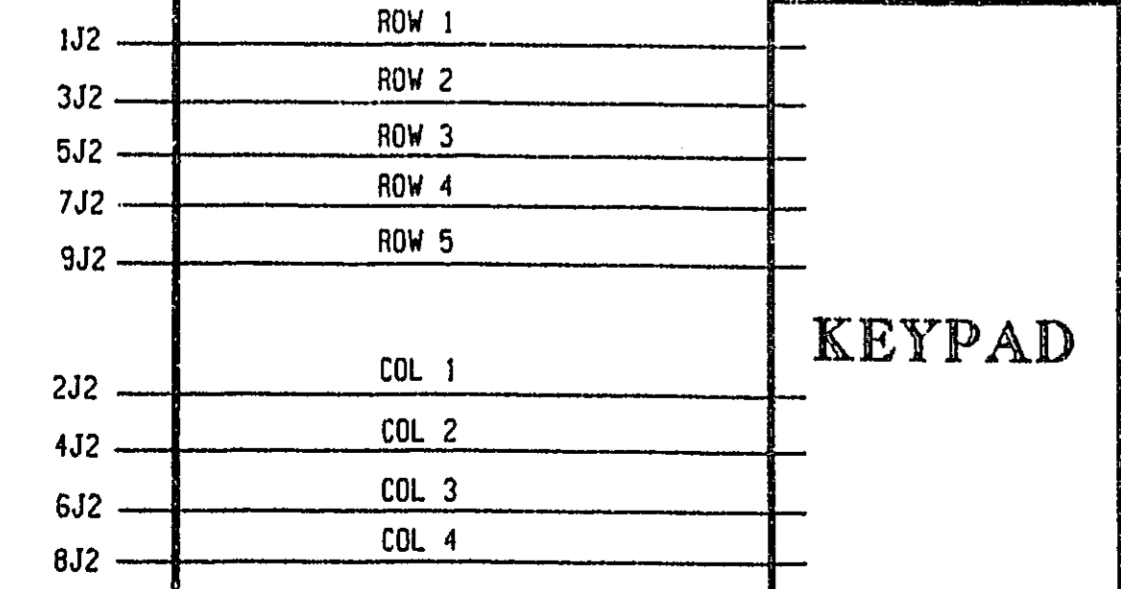
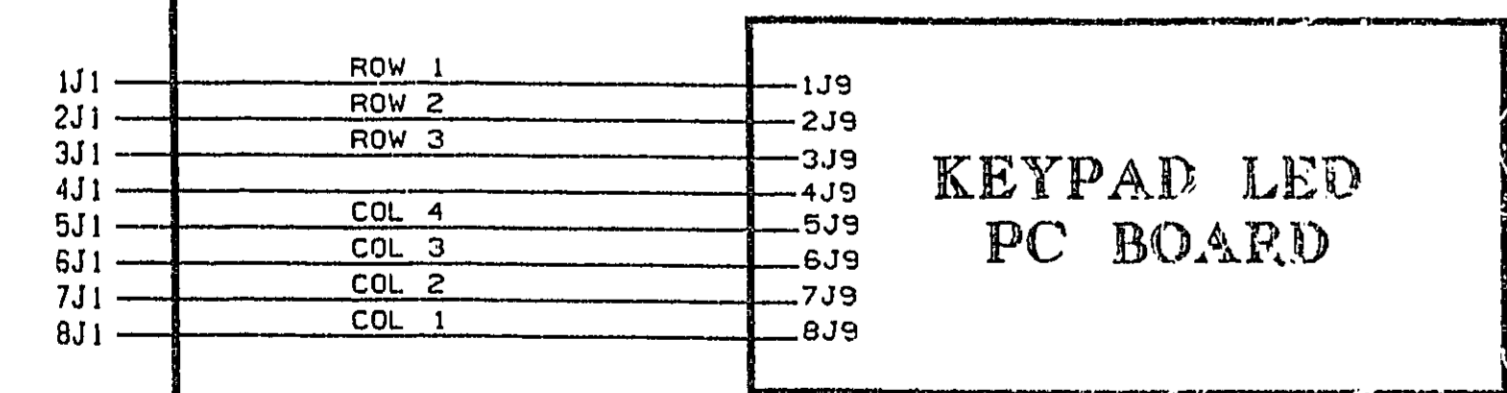
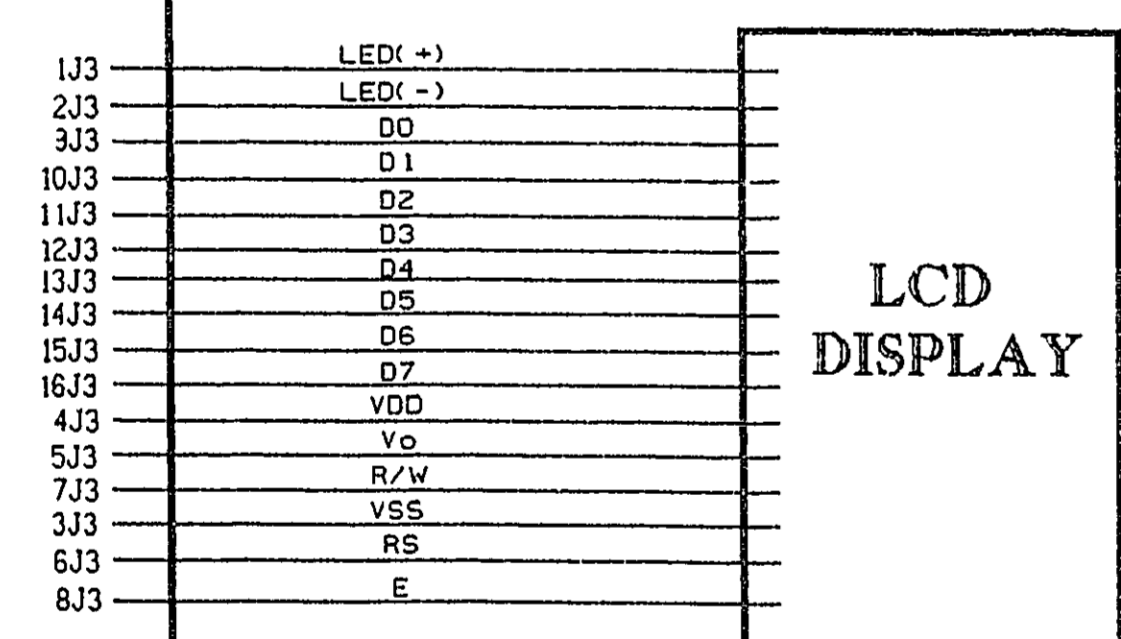
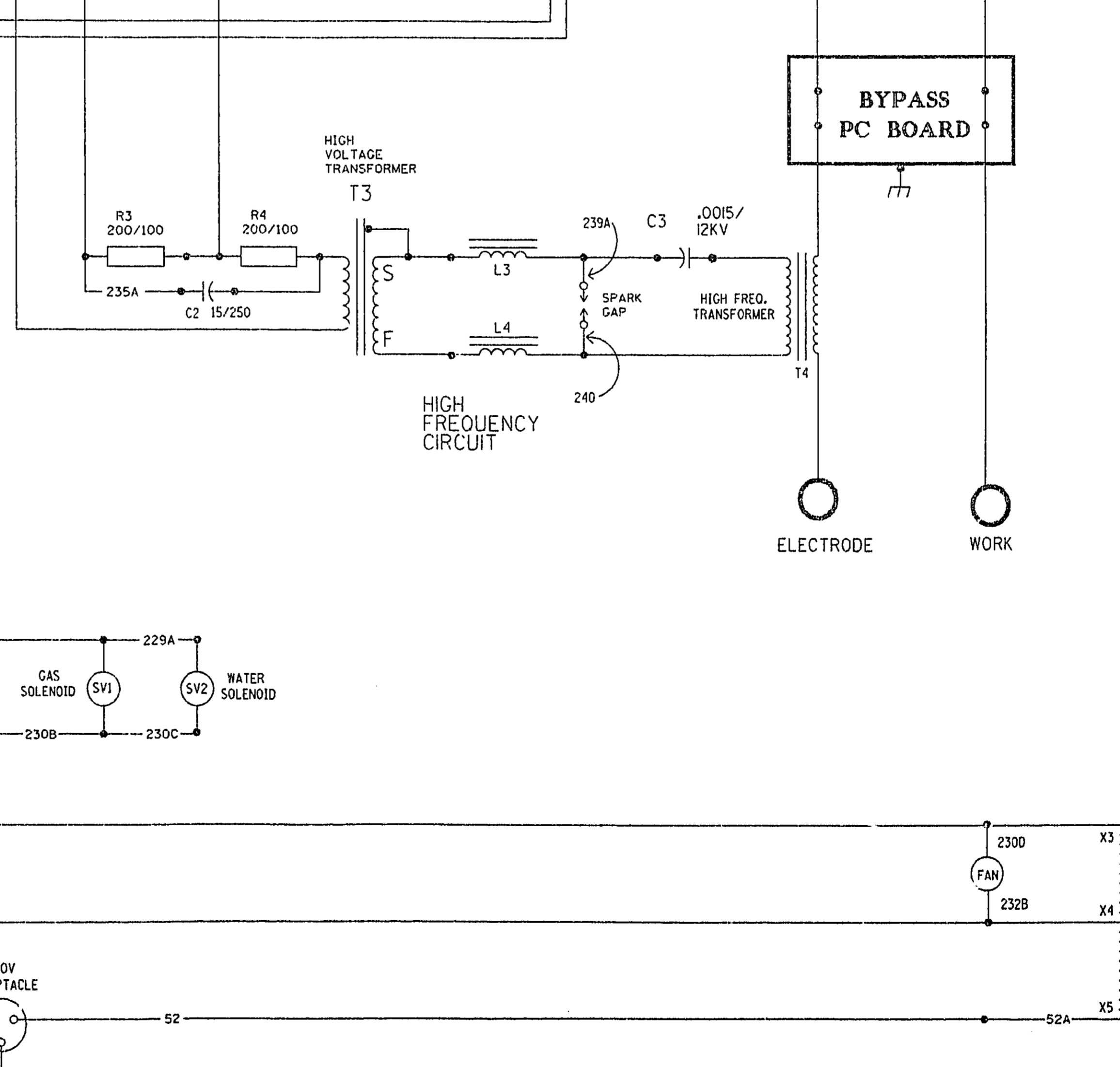
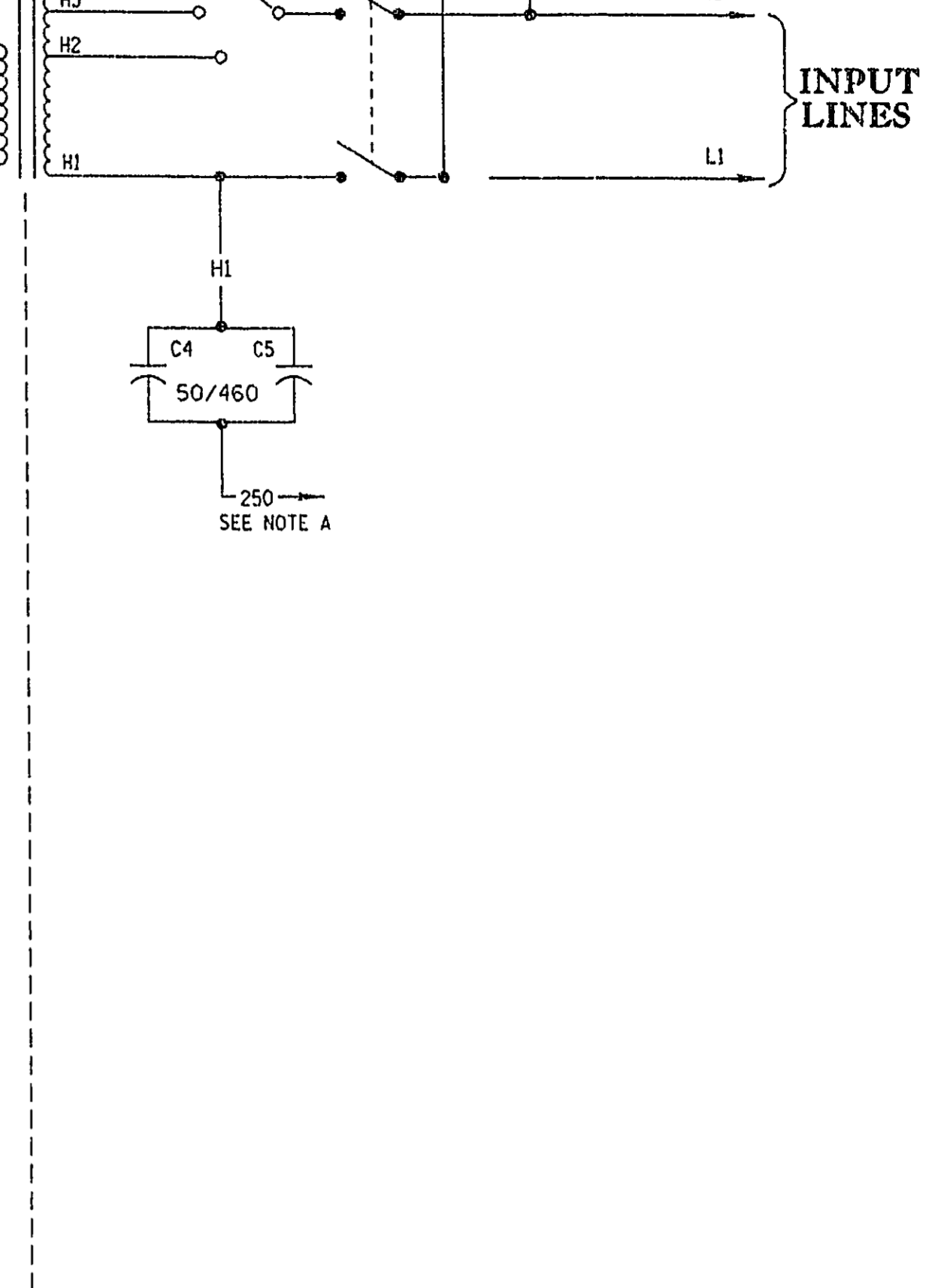
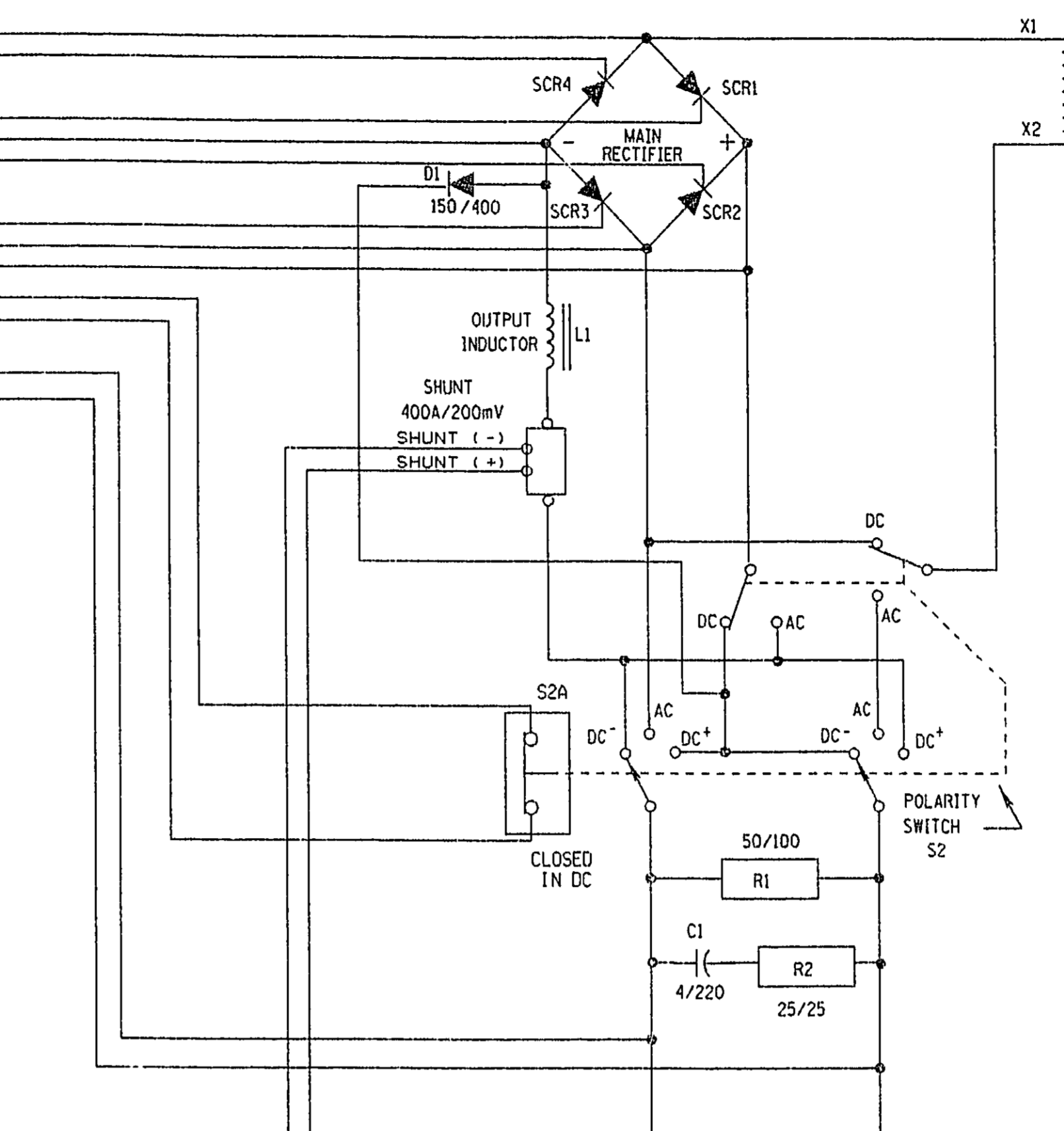
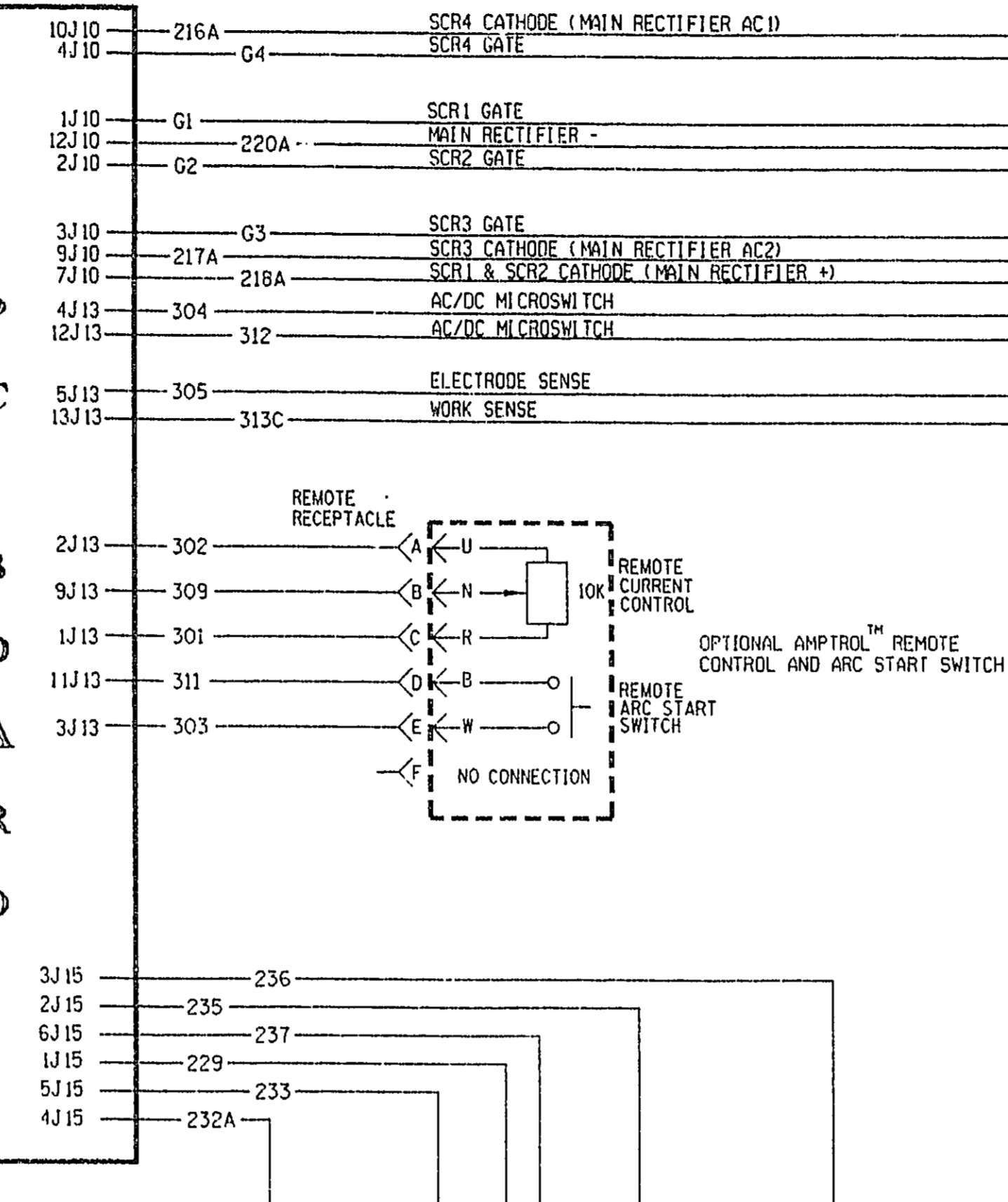


CONTROL BOARD



PROTECTION



NOTE A: LEAD #250 FROM POWER FACTOR CAPACITORS CONNECTS ACCORDING TO THE INPUT VOLTAGE

208/230/460, 200/380/440 LEAD #250 CONNECTS TO "HIGH" TERMINAL ON RECONNECT PANEL, ALONG WITH CORRECT LEAD FROM MAIN TRANSFORMER (T1)

200/240/400, 220/380/415, 380/415/500 LEAD #250 CONNECTS TO THE "H5" LEAD OF THE MAIN TRANSFORMER (T1)

230/460/575 LEAD #250 CONNECTS TO THE "MID" TERMINAL ON THE RECONNECT PANEL, ALONG WITH THE H3 LEAD FROM THE MAIN TRANSFORMER (T1)

ELECTRICAL SYMBOLS PER E1537

Table with lead coloring code and component value units.

