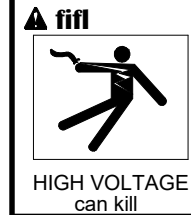
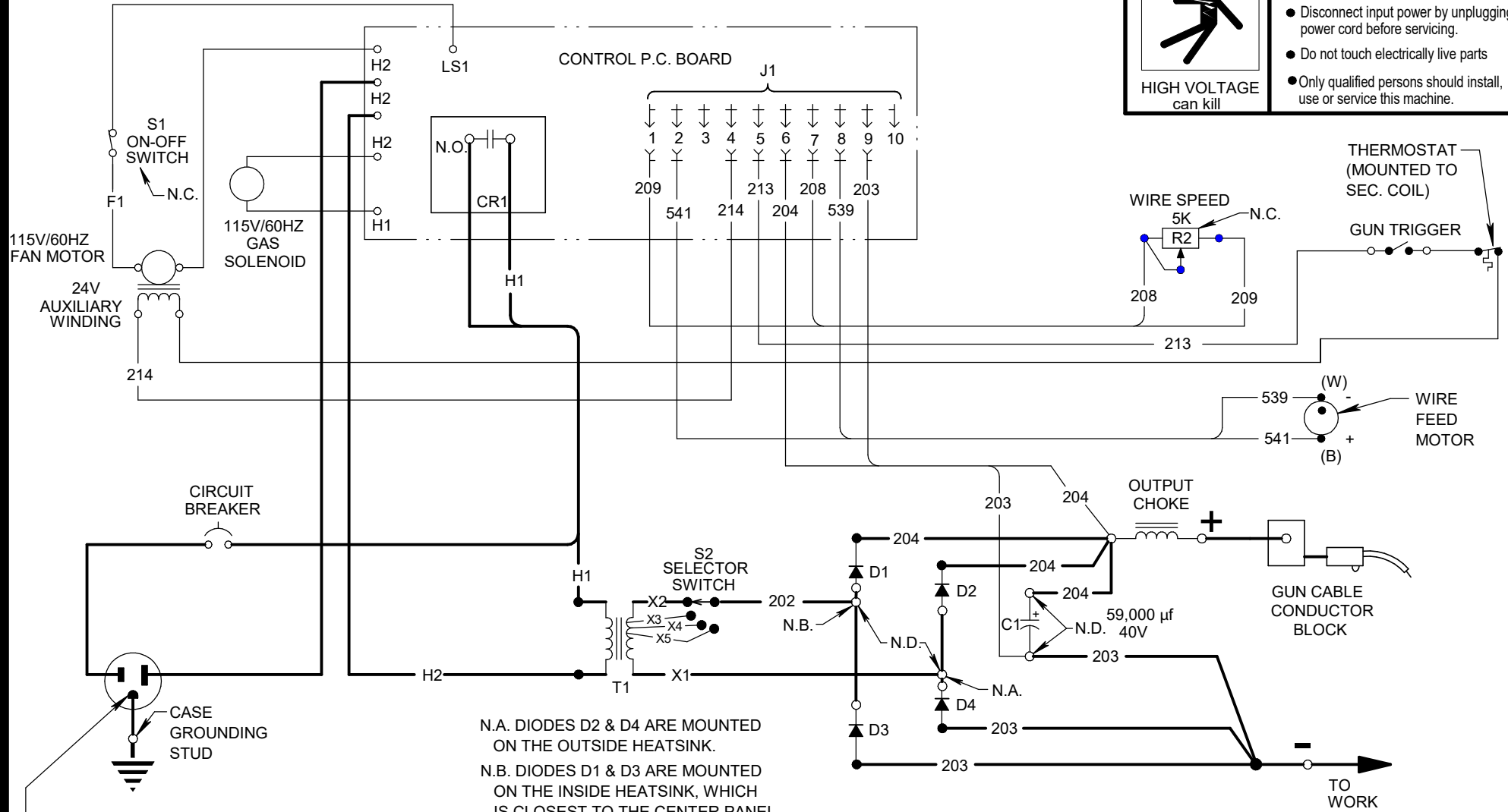


MIG-PAK 10 WIRING DIAGRAM M20137 REV: B



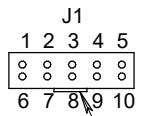
- Do not operate with covers removed.
- Disconnect input power by unplugging power cord before servicing.
- Do not touch electrically live parts
- Only qualified persons should install, use or service this machine.



CIRCUIT BREAKER

CASE GROUNDING STUD

TO EARTH GROUND PER NATIONAL, LOCAL OR OTHER APPLICABLE ELECTRICAL CODES.



CAVITY NUMBERING SEQUENCE (COMPONENT SIDE OF BOARD)

- N.A. DIODES D2 & D4 ARE MOUNTED ON THE OUTSIDE HEATSINK.
- N.B. DIODES D1 & D3 ARE MOUNTED ON THE INSIDE HEATSINK, WHICH IS CLOSEST TO THE CENTER PANEL.
- N.C. COMPONENT VIEWED FROM REAR.
- N.D. BOLTED ALUMINUM CONNECTIONS REQUIRE T12837 JOINT COMPOUND (DOW CORNING 340) WHEN REATTACHING.

LEAD COLOR CODE:

B-BLACK
W-WHITE



CLEVELAND, OHIO U.S.A.