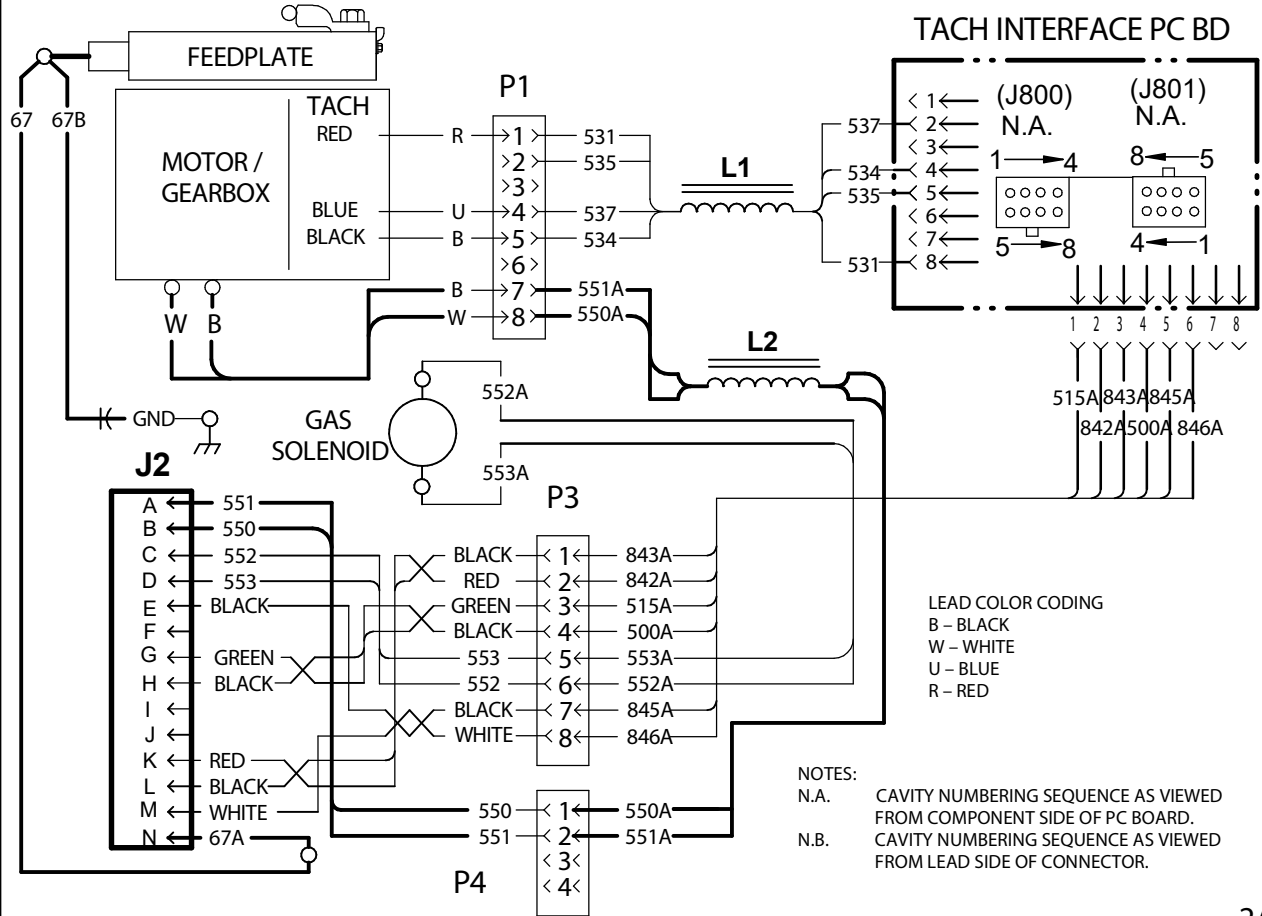


# AUTODRIVE 4R100/4R220 WIRING DIAGRAM M21562-1 REV: A

## WIRING DIAGRAM AUTODRIVE FEEDER



**LEAD COLOR CODING**  
 B - BLACK  
 W - WHITE  
 U - BLUE  
 R - RED

**NOTES:**  
 N.A. CAVITY NUMBERING SEQUENCE AS VIEWED FROM COMPONENT SIDE OF PC BOARD.  
 N.B. CAVITY NUMBERING SEQUENCE AS VIEWED FROM LEAD SIDE OF CONNECTOR.



CLEVELAND, OHIO U.S.A.