

ANNEX COMPACT FERRIS WHEEL

AUTOMATED POSITIONERS



Renders are for reference only

ANNEX COMPACT FERRIS WHEEL PART POSITIONER

Adaptable to a wide range of processes including welding, laser, material handling, grinding, and cutting, the Lincoln Electric Automation ANNEX™ robotic positioners provide an unparalleled user-friendly experience for robotic positioning applications. The Annex positioners can either be robotically or servo controlled.

KEY FEATURES

- Nabtesco® inline gearboxes
- Pillow block bearings and spindles
- High capacity rotary grounds on each minor axis
- Motors and cables enclosed within steel frame structure

OPTIONS AVAILABLE

- Shot pin
- Double bearing addition to the minor axes when removable tooling is needed

BENEFITS

- Compact headstock and tailstock boxes to minimize footprint
- Standard rating for unbalanced loading across minor axes
- Standard rating at major axis for load shock absorbing
- Configurable tool bed, tool swing, and weight capacity
- Removable maintenance covers for access
- Easy integration with most major robot manufacturers including FANUC®, ABB®, Yaskawa®, Kuka®, and Kawasaki®

INDUSTRY

- General Fabrication
- Heavy Fabrication
- Automotive/Transportation

CONTACT LINCOLN ELECTRIC AUTOMATION - BETTENDORF



3129 State St
Bettendorf, IA 52722



+1 (563) 355-4812



sales_bettendorf@lincolnelectric.com

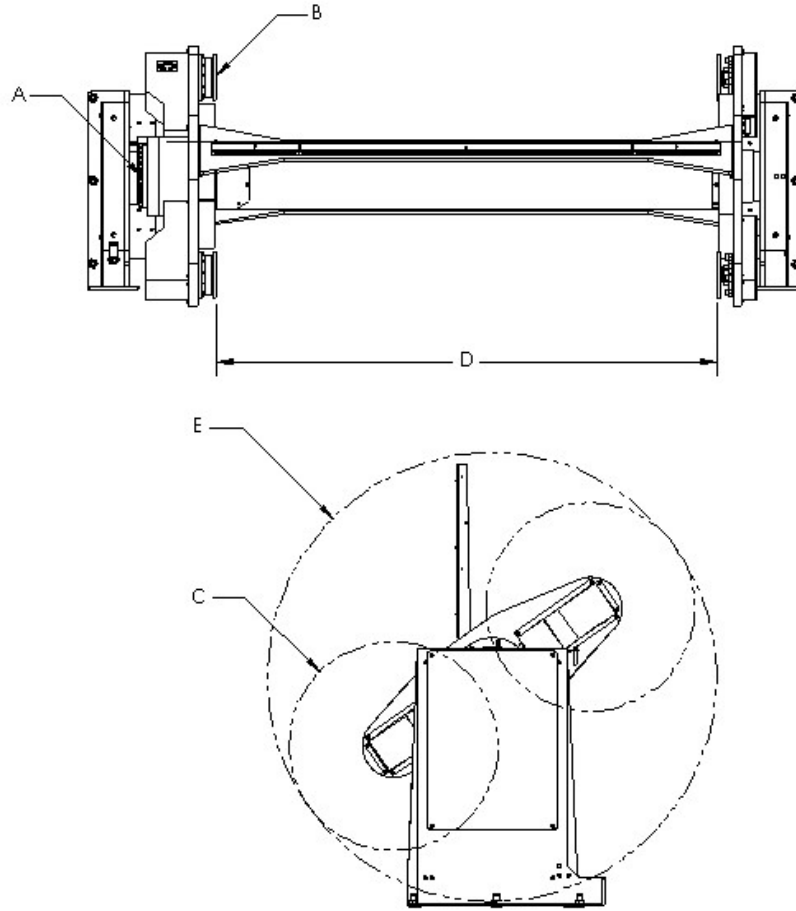


www.lincolnelectric.com

Publication LEA-070523TM1-03

© Lincoln Global Inc. All Rights Reserved. All trademarks and registered trademarks are the property of their respective owners.
www.lincolnelectric.com/automation





PRODUCT SPECIFICATIONS

Product Number	Model	180° Sweep Time - Primary Axis (A)	180° Sweep Time - Satellite Axis (B)	Maximum Tool Diameter (C)	Tool Bed Length (D)	Maximum Unbalanced Load	Maximum Payload
AD2487-1	FW1500	3.50 sec	3.50 sec	1.00 m	2.00 m	125 kg	1,500 kg
				1.25 m			
				1.50 m*			
				1.00 m	2.50 m		
				1.25 m			
				1.50 m*			
				1.00 m	3.00 m		
				1.25 m			
				1.50 m*			
Custom	Based on Customer Specifications						

*Operator ergonomics must be taken into consideration. D-shaped sweep profile may be required.

Important Note: Changes from recommended motor sizing, payload, duty cycles, cable routing, weld grounding (if applicable), other system specifications (i.e. servo parameters, controller stop parameter), and/or modifications may affect cycle times and overall performance. User assumes all responsibility for proper rigging, installation, and machine setting alignments of product(s). Manufacturer's warranty is void to the extent any failure caused by improper installation, modification, or operation by customer.

CUSTOMER ASSISTANCE POLICY

The business of Lincoln Electric is manufacturing and selling high quality welding equipment, automated welding systems, consumables, and cutting equipment. Our challenge is to meet the needs of our customers, who are experts in their fields, and to exceed their expectations. On occasion, purchasers may ask Lincoln Electric for information or technical information about their use of our products. Our employees respond to inquiries to the best of their ability based on information and specifications provided to them by the customers and the knowledge they may have concerning the application. Our employees, however, are not in a position to verify the information provided or to evaluate the engineering requirements for the particular weldment, or to provide engineering advice in relation to a specific situation or application. Accordingly, Lincoln Electric does not warrant or guarantee or assume any liability with respect to such information or communications. Moreover, the provision of such information or technical information does not create, expand, or alter any warranty on our products. Any express or implied warranty that might arise from the information or technical information, including any implied warranty of merchantability or any warranty of fitness for any customers' particular purpose or any other equivalent or similar warranty is specifically disclaimed.

Lincoln Electric is a responsive manufacturer, but the definition of specifications, and the selection and use of specific products sold by Lincoln Electric is solely within the control of, and remains the sole responsibility of the customer. Many variables beyond the control of Lincoln Electric affect the results obtained in applying these types of fabrication methods and service requirements.

THE LINCOLN ELECTRIC COMPANY
22801 Saint Clair Avenue · Cleveland, OH · 44117 · U.S.A.
Phone: +1 216.481.8100 · www.lincolnelectric.com