

MODEL H25

SINGLE-STAGE REGULATOR WITH STAINLESS STEEL DIAPHRAGM



Model shown:
H25ARS-40

KEY FEATURES

- Forged brass body
- Maximum inlet pressure 300 bar
- High pressure capsule seat with Kel-F (CTFE) sealing surface
- Stainless steel T- screw handle
- Air flow up to > 500 m³/h
- External safety relief valve
- 7 year warranty

Applications »

Specially designed for high flow requirements.
Ideal for feeding plasma and laser cutting systems



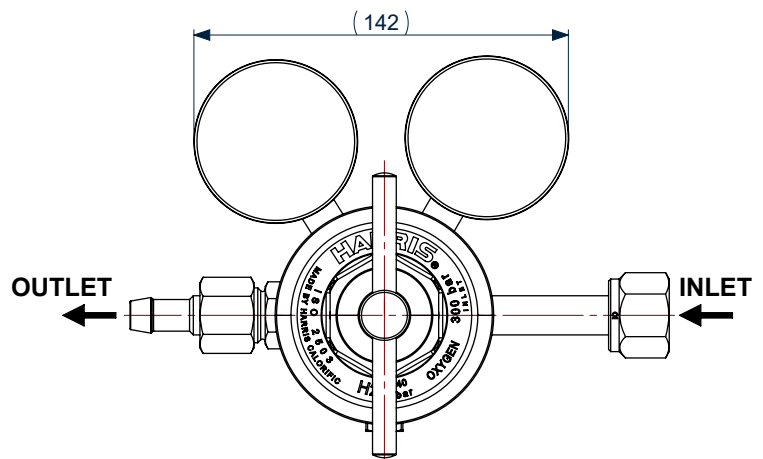
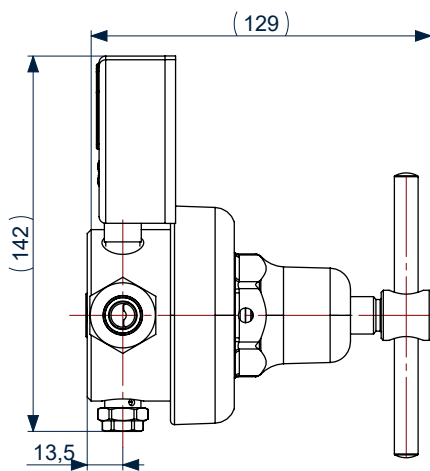
TECHNICAL DATA

Standard	ISO 2503
Gauges	63 mm
Maximum Inlet Pressure (bar)	300
Maximum Delivery Pressure (bar)	40

MATERIALS

Body	Brass
Bonnet	Brass
Diaphragm (regulator)	Neoprene / stainless steel
Nozzle	Brass
Seals	NBR / Viton
Filter	Electroless nickel plated bronze
Adjusting Knob	ABS plastic / Stainless steel T-bar

TECHNICAL DRAWINGS



CUSTOMER ASSISTANCE POLICY

The business of Lincoln Electric is manufacturing and selling high quality welding equipment, automated welding systems, consumables, and cutting equipment. Our challenge is to meet the needs of our customers, who are experts in their fields, and to exceed their expectations. On occasion, purchasers may ask Lincoln Electric for information or technical information about their use of our products. Our employees respond to inquiries to the best of their ability based on information and specifications provided to them by the customers and the knowledge they may have concerning the application. Our employees, however, are not in a position to verify the information provided or to evaluate the engineering requirements for the particular weldment, or to provide engineering advice in relation to a specific situation. Accordingly, Lincoln Electric does not warrant or guarantee or assume any liability with respect to such information or communications. Moreover, the provision of such information or technical information does not create, expand, or alter any warranty on our products. Any express or implied warranty that might arise from the information or technical information, including any implied warranty of merchantability or any warranty of fitness for any customers' particular purpose or any other equivalent or similar warranty is specifically disclaimed.

Lincoln Electric is a responsive manufacturer, but the definition of specifications, and the selection and use of specific products sold by Lincoln Electric is solely within the control of, and remains the sole responsibility of the customer. Many variables beyond the control of Lincoln Electric affect the results obtained in applying these types of fabrication methods and service requirements.



Contact Harris for pricing and custom configurations

+48 74 646 23 52

marketingharris@lincolnelectric.eu

Harris Products Group
ul. Strefowa 8, 58-200 Dzierzoniow, Poland
www.harrisproductsgroup.eu