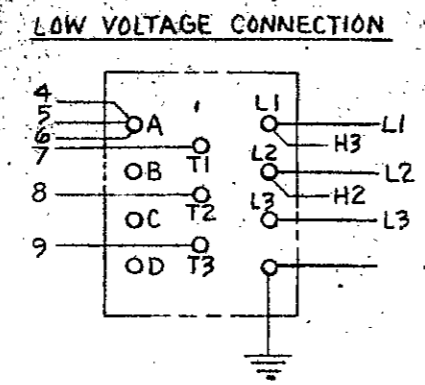
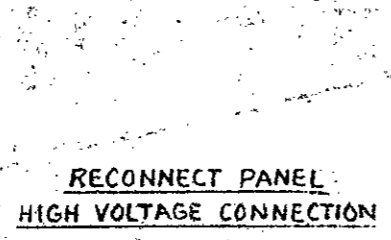


61621-W

LEGEND

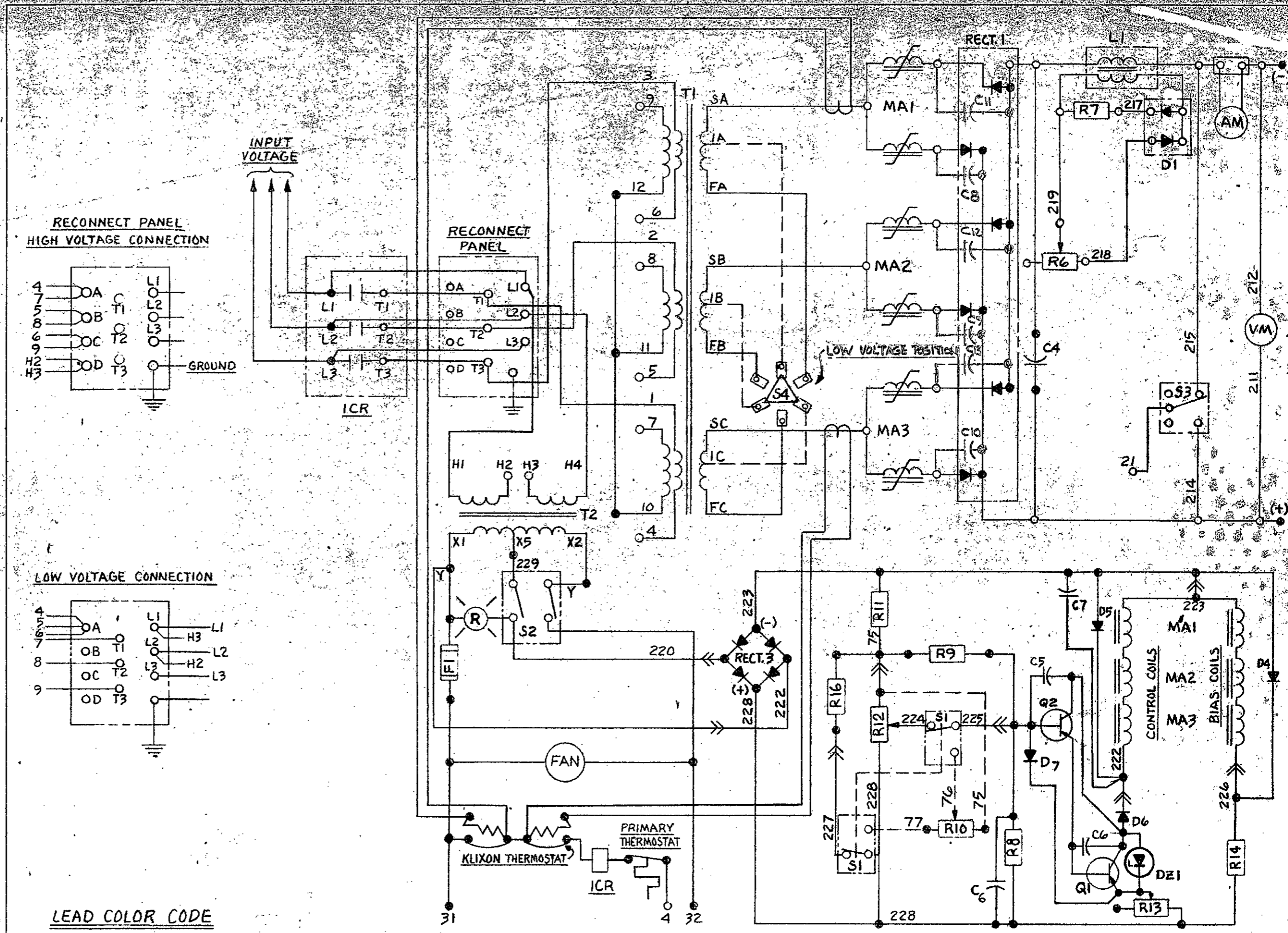
- C4 5 MFD
- C5 .022 MFD
- C6 .022 MFD
- C7 .02 MFD
- CB THRU C13 -.05 MFD
- D1 12.5 AMP
- D4 1 AMP
- D5 3 AMP
- D6 3 AMP
- D7 1 AMP
- F1 10 AMP
- L1 DC OUTPUT FILTER CHOKE
- R6 100 Ω
- R7 50 Ω
- R8 5.1 K Ω
- R9 1.8 K Ω
- R10 10K Ω POT
- R11 1.5 K Ω
- R12 10 K Ω POT
- R13 3.0 Ω 25W
- R14 4.8 Ω 10W
- R16 10 K Ω
- T1 MAIN TRANS
- T2 AUX TRANS
- MA1 MAG AMP
- MA2 MAG AMP
- MA3 MAG AMP
- S1 VOLTAGE CONTROL SWITCH
- S2 POWER ON-OFF SWITCH
- S3 CONTROL CIRCUIT SWITCH
- S4 OUTPUT VOLTAGE RANGE SWITCH
- ICR INPUT CONTACTOR
- RECT.1 MAIN POWER RECTIFIER
- RECT.3 CONTROL CIRCUIT RECTIFIER
- Q1 2N1540
- Q2 2N4125
- DZ1 27 V.



LEAD COLOR CODE

Y- YELLOW

A.N.S.I. ELECTRICAL SYMBOLS PER E-1537



8-23-74			
8-23-74C			

SUBJECT: R3S-250 SCHEMATIC WIRING DIAGRAM
 THE LINCOLN ELECTRIC CO.
 CLEVELAND, OHIO U.S.A.

M-12919

AUSTRALIA 974 CANADA FRANCE ARMO

UNLESS OTHERWISE SPECIFIED TOLERANCE
 ON 2 PLACE DECIMALS IS ±.02
 ON 3 PLACE DECIMALS IS ±.002
 ON ALL ANGLES IS ±.5 OF A DEGREE
 MATERIAL TOLERANCE ("V") TO AGREE
 WITH PUBLISHED STANDARDS

THE LINCOLN ELECTRIC CO.
 CLEVELAND, OHIO U.S.A.

DATE 7-12-74 SCALE 1/4

TYPE R3S-250
 SUBJECT SCHEMATIC DIAGRAM
 SUP'S DRG M-12611 DR. DEC CHK SHEET NO. M-12919