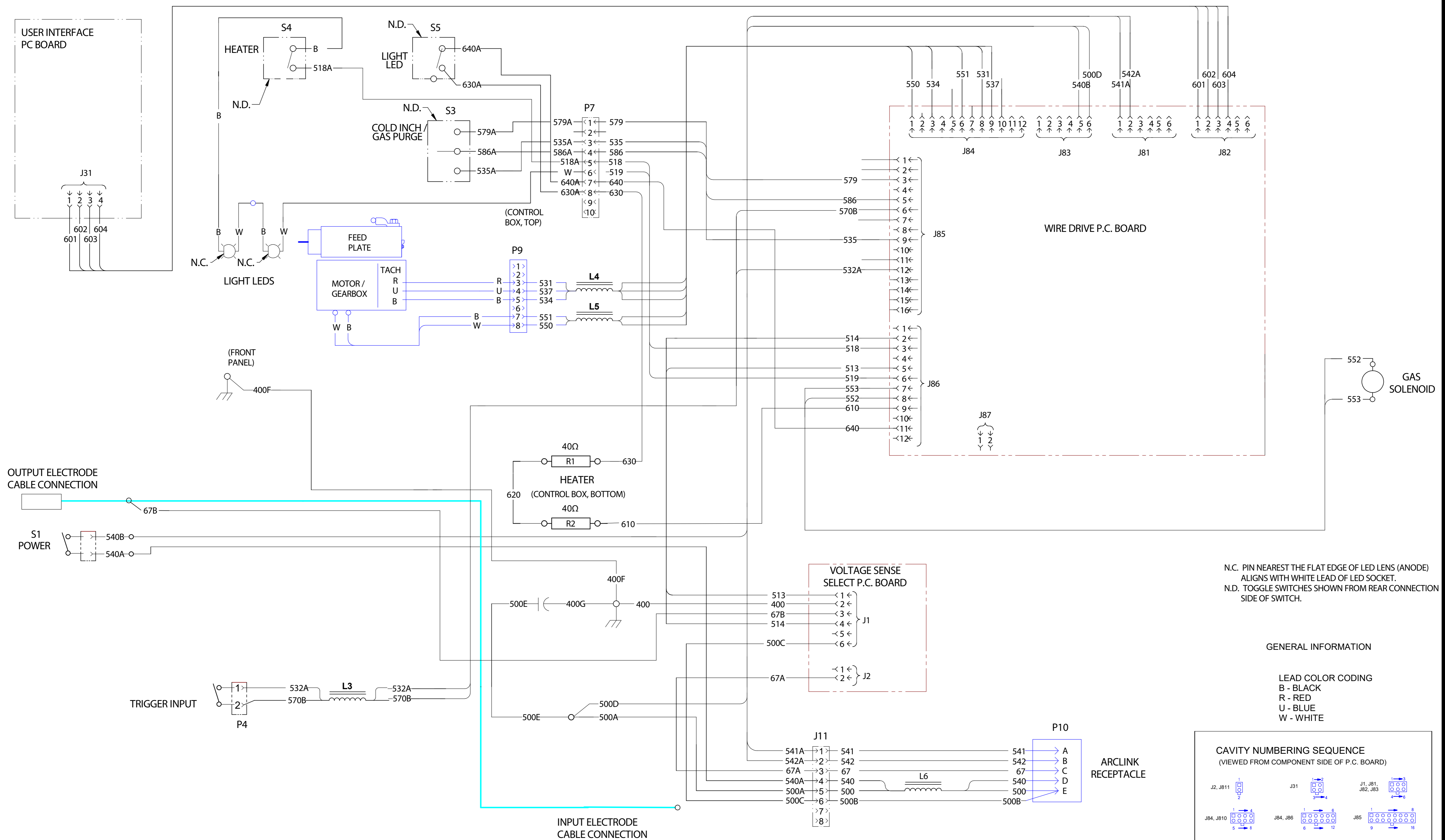


POWER FEED 25M NNS WIRING DIAGRAM G5585-3 REV: A



N.C. PIN NEAREST THE FLAT EDGE OF LED LENS (ANODE)
 ALIGNS WITH WHITE LEAD OF LED SOCKET.
 N.D. TOGGLE SWITCHES SHOWN FROM REAR CONNECTION
 SIDE OF SWITCH.

GENERAL INFORMATION

LEAD COLOR CODING
 B - BLACK
 R - RED
 U - BLUE
 W - WHITE

